



A KOHLER COMPANY

Ensemble™

60" x 32" Curve End Drain Shower 72180120



Features

- Tongue-and-groove 4 piece modular design allows for easy "snap together" installation
- Convenient shelves provide generous storage
- Shaving ledge and foot rest added for comfort
- Base can be ordered separately.
- Durable high-gloss finish
- Dry-Block seal and channeled water containment system create watertight seams
- End drain makes it perfect for replacing an existing bath without moving the drain location.

Material

- Compression molded from our exclusive solid Vikrell material

Installation

- 60" (1524 mm) x 32" (812 mm) x 74-1/4" (1892 mm) complete unit finished dimensions.

Components

Product includes:

- 72232100 60" Shower Back Wall
- 72181120 60" x 32" End Drain Shower Base
- 72185100 32" Shower End Wall Set



Codes/Standards

CSA B45.5/IAPMO Z124
ASTM E162
ASTM E662
Greenguard UL 2818 - Gold
HUD, UM Bulletin 73

STERLING® Warranty - Fixtures Made of Solid Vikrell Material

See website for detailed warranty information.

Available Color/Finishes

Color tiles intended for reference only.

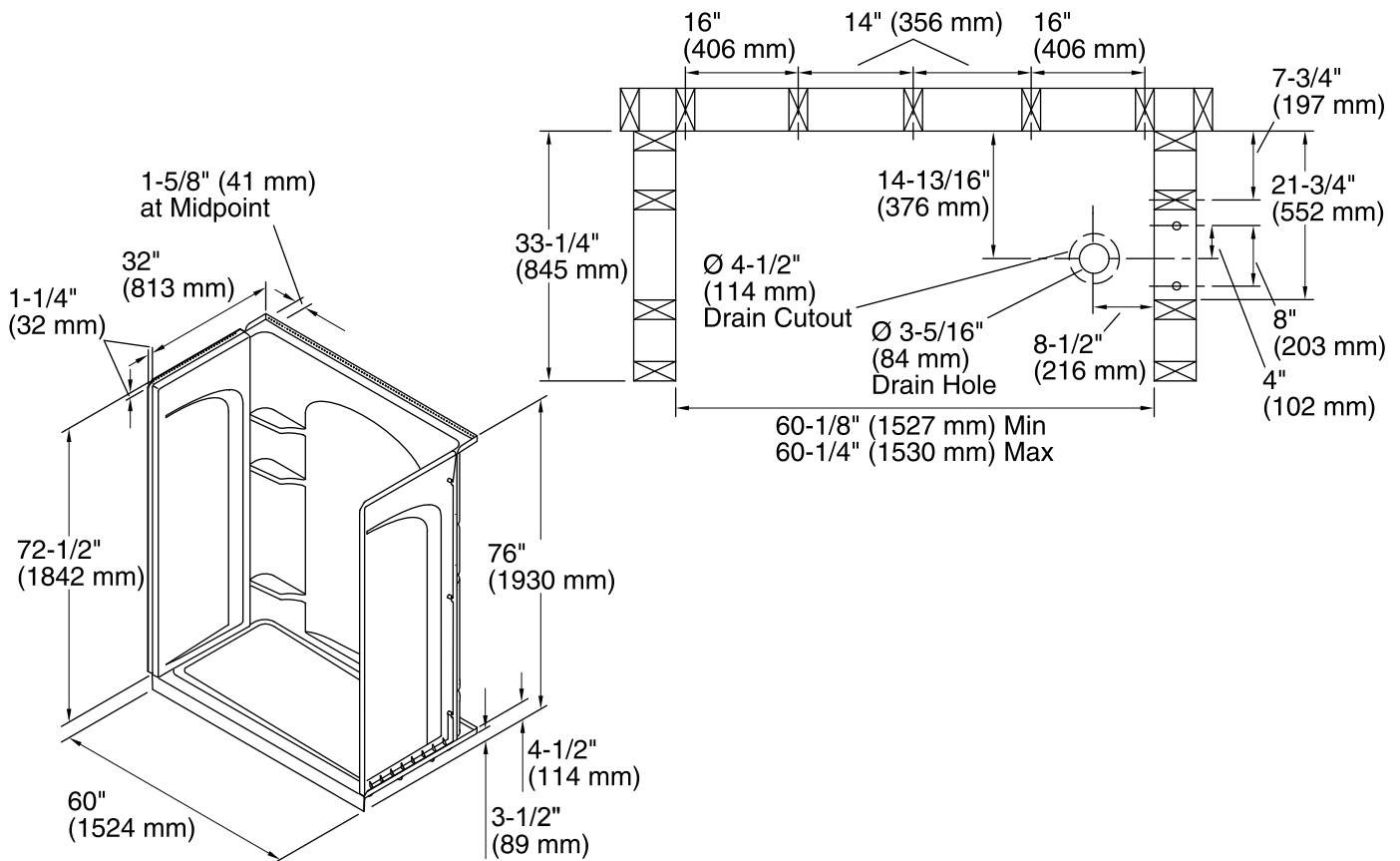
Color	Code	Description
	0	White
	96	KOHLER Biscuit

USA/Canada: 1-800-STERLING (1-800-783-7546)

Kohler Co. reserves the right to make revisions without notice to product specifications.

For the most current Specification Sheet, go to www.sterlingplumbing.com.

7-9-2016 03:11



Technical Information

All product dimensions are nominal.
 Installation: 3-Wall Alcove
 Drain location: Right
 Drain hole diameter: 3-5/16" (84 mm)
 Weight: 125.4 lbs (56.9 kg)
 Minimum flat for door: 3" (76 mm)
 Door height required: 70-1/2" (1791 mm)
 Door width required: 56-5/8" (1438 mm)

Notes

Install this product according to the installation instructions.
 Studs should be positioned roughly as shown.
 Double studding is recommended for pivot shower door installations.