



# Ensemble™

## 36" (91.4 cm) x 36" (91.4 cm) Shower Receptor

### 72161100



#### Features

- Reduced 3.5" step-over threshold height creates a safe entrance and exit for aging population.
- Durable high gloss finish.
- 36" (914 mm) x 36" (914 mm) x 3-1/2" (89 mm) unit finished dimensions.

#### Material

- Compression molded from our exclusive Vikrell® material.

#### Installation

- Suitable for tile down application.



#### Codes/Standards

CSA B45.5/IAPMO Z124  
ASTM E162  
ASTM E662  
HUD, UM Bulletin 73



#### STERLING® Warranty - Fixtures Made of Solid Vikrell Material

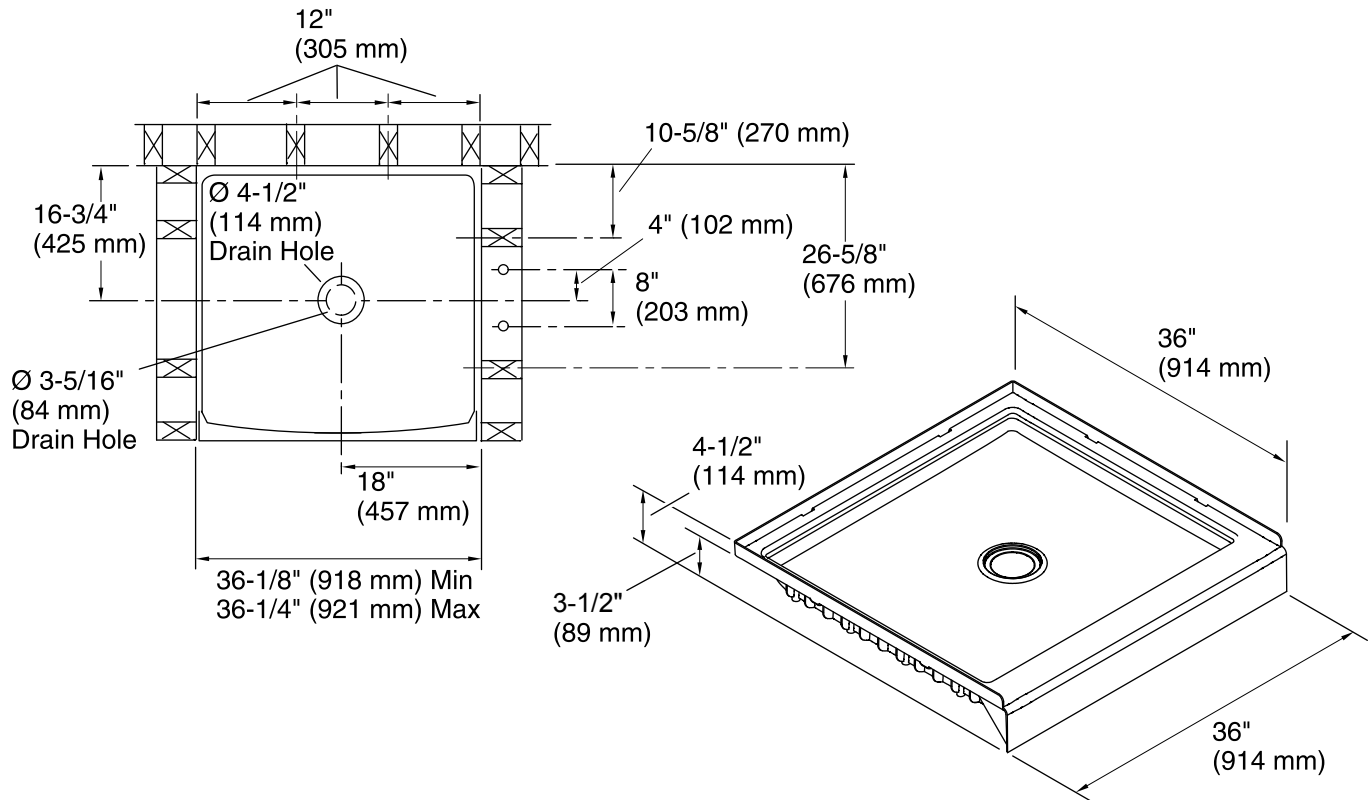
See website for detailed warranty information.

#### Available Color/Finishes

*Color tiles intended for reference only.*

Color	Code	Description
-------	------	-------------

- |                                                                                      |    |         |
|--------------------------------------------------------------------------------------|----|---------|
|  | 0  | White   |
|  | 96 | Biscuit |



**Technical Information**

All product dimensions are nominal.  
 Installation: 3-Wall Alcove  
 Drain location: Center  
 Basin area, bottom: 27-13/16" x 30-5/16" (706 mm x 770 mm)  
 Weight: 25 lbs (11.3 kg)

**Notes**

Install this product according to the installation guide.  
 Double studding is recommended for pivot shower door installations.  
 Studs should be positioned as shown.