



Ensemble™ Medley™

60" x 30" Bath/Shower

71370120



Features

- Modular design allows it to be moved around corners and through doorways with ease.
- Durable high gloss finish.
- Innovative Dry-Block™ seal and channeled water containment system form watertight seams.
- Clean, contemporary design with ample shelving.
- 2" (51 mm) wainscot/tile ledge.
- 16" (406 mm) bath depth (floor to top of threshold).
- 60" (1524 mm) x 30-1/8" (765 mm) x 73" (1854 mm) complete unit finished dimensions.

Material

- Compression molded from our exclusive solid Vikrell® material.

Installation

- Tongue-and-groove four piece modular design allows for easy snap together installation.
- Caulk-free installation.

Components

Product includes:

- 71374100 60" x 30" Medley™ Bath/Shower Wall Set
- 71171120 30" Bath



Codes/Standards

CSA B45.5/IAPMO Z124
ASTM E162
ASTM E662
Greenguard UL 2818 - Gold
HUD, UM Bulletin 73



STERLING® Warranty - Fixtures Made of Solid Vikrell Material

See website for detailed warranty information.

Available Color/Finishes

Color tiles intended for reference only.

Color Code Description

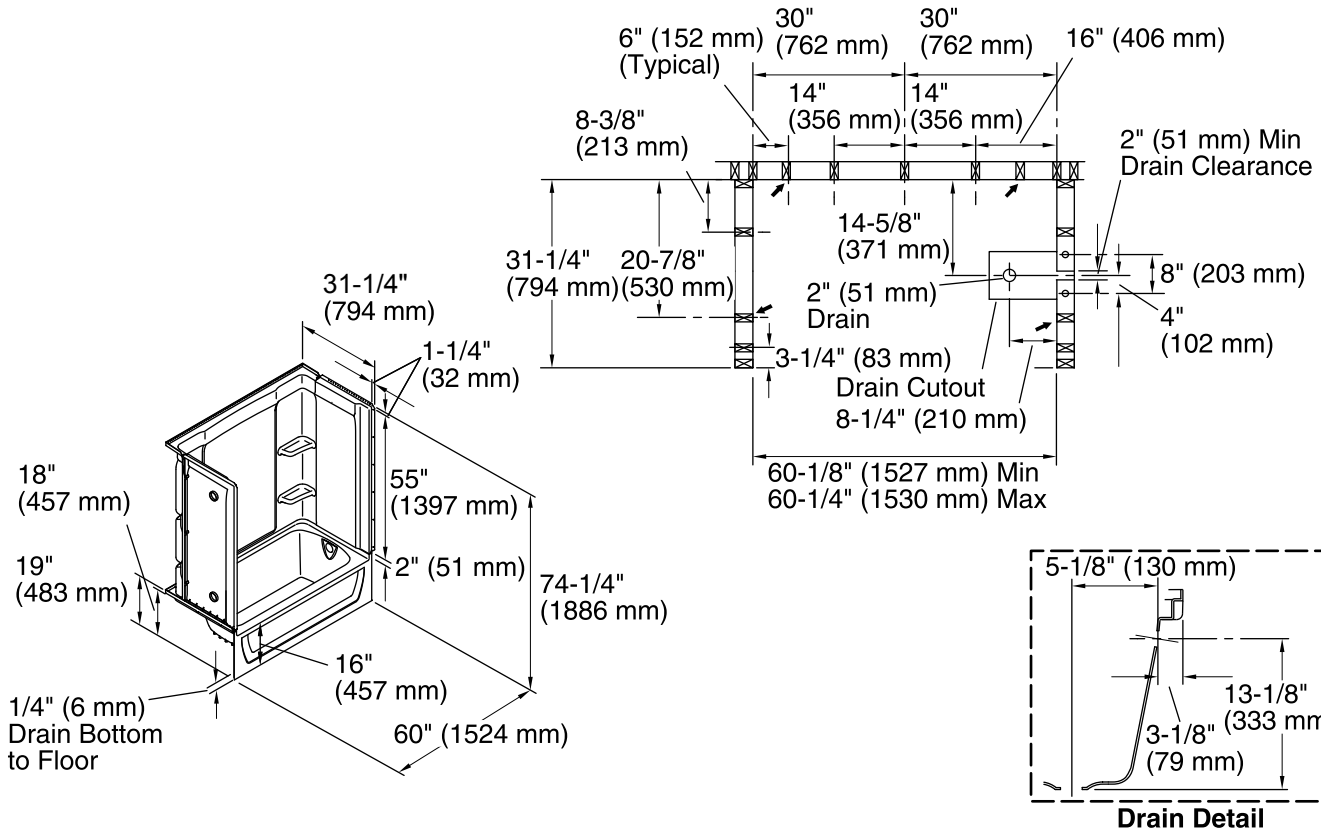
	0	White
	96	Biscuit

USA/Canada: 1-800-STERLING (1-800-783-7546)

Kohler Co. reserves the right to make revisions without notice to product specifications.

For the most current Specification Sheet, go to www.sterlingplumbing.com.

3-6-2016 02:18



Technical Information

All product dimensions are nominal.

Installation:	3-Wall Alcove
Drain location:	Right
Basin area, bottom:	45" x 20" (1143 mm x 508 mm)
Basin area, top:	53" x 23" (1346 mm x 584 mm)
Water depth:	11-1/4" (286 mm)
Water capacity:	44 gal (166.6 L)
Minimum flat for door:	2-3/4" (70 mm)
Door height required:	56-3/4" (1441 mm)
Door width required:	57-11/16" (1465 mm)

Notes

Measure your actual product for rough-in details.

Install this product according to the installation instructions.

The hot water supply should be 70% of the capacity of the bath or greater. Installations will vary.

Studs should be positioned roughly as shown.

Double studding is recommended for pivot shower door installations.