



A KOHLER COMPANY

Accord®

60" x 30" Tile AFD Bath/Shower
71140112



Features

- Modular design allows it to be moved around corners and through doorways with ease.
- Durable high gloss finish.
- Above-floor-drain (AFD) rough-in.
- Realistic tile wall surround features molded in shelves for generous storage.
- 17-1/4" (438 mm) bath depth (floor to top of threshold).
- 60" (1524 mm) x 30" (762 mm) x 74-1/4" (1886 mm) complete unit finished dimensions.

Material

- Compression molded from our exclusive Vikrell® material.

Installation

- Four-piece modular design with pivot "snap together" installation.
- Caulk-less seam installation.

Components

Product includes:

71144100 60" x 30" Tile Bath/Shower Wall Set

71141112 60" x 30" AFD Bath



Codes/Standards

CSA B45.5/IAPMO Z124

ASTM E162

ASTM E662

Greenguard UL 2818 - Gold

HUD, UM Bulletin 73

STERLING® Warranty - Fixtures Made of Solid Vikrell Material

See website for detailed warranty information.

Available Color/Finishes

Color tiles intended for reference only.

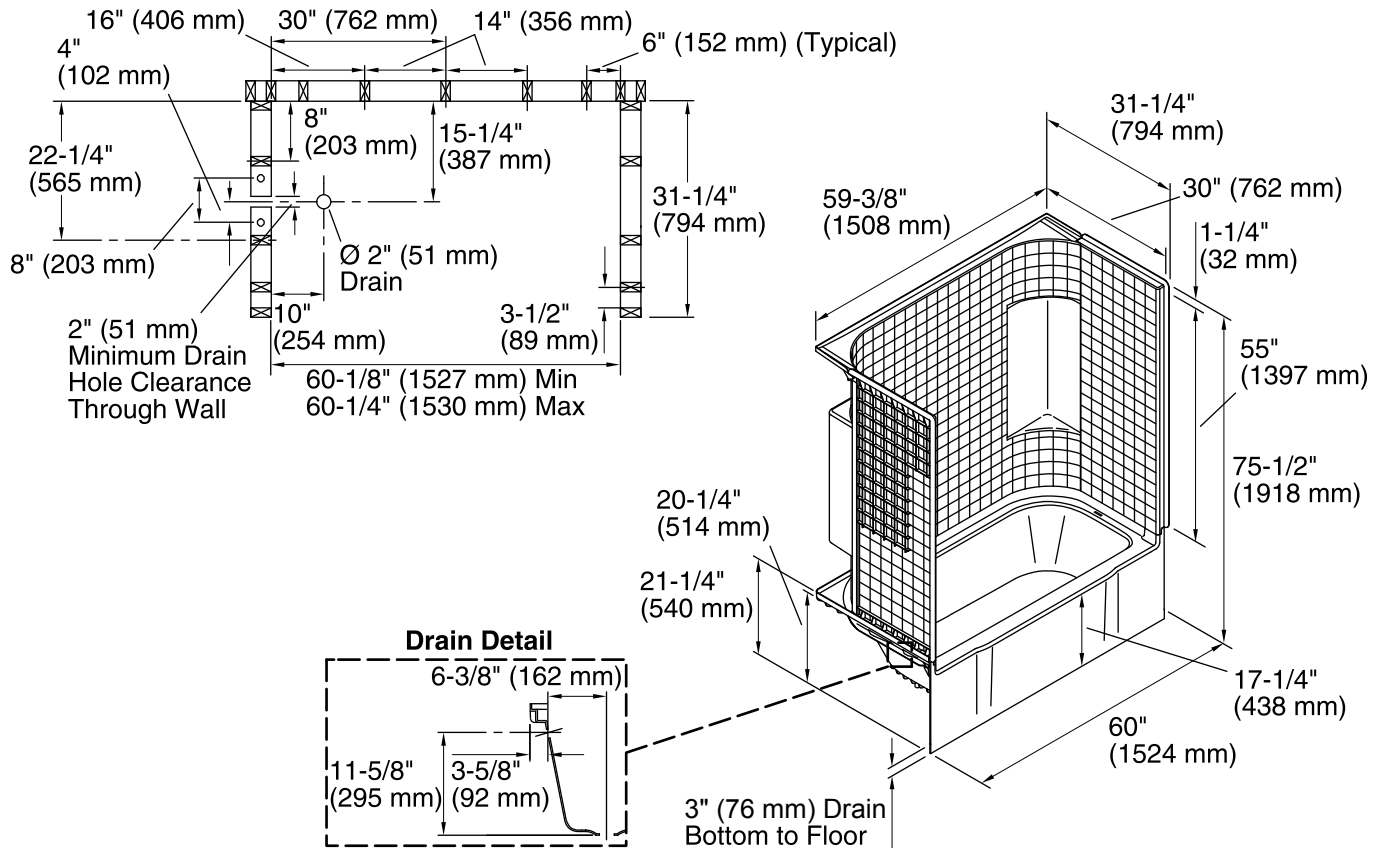
Color	Code	Description
	0	White
	96	KOHLER Biscuit

USA/Canada: 1-800-STERLING (1-800-783-7546)

Kohler Co. reserves the right to make revisions without notice to product specifications.

For the most current Specification Sheet, go to www.sterlingplumbing.com.

10-20-2016 05:17



Technical Information

All product dimensions are nominal.

Installation:	3-Wall Alcove
Drain location:	Left
Basin area, bottom:	46-1/4" x 20-1/2" (1175 mm x 521 mm)
Basin area, top:	52-1/4" x 22-1/2" (1327 mm x 572 mm)
Water depth:	11" (279 mm)
Water capacity:	34 gal (128.7 L)
Minimum flat for door:	2-3/4" (70 mm)
Door height required:	56-1/2" (1435 mm)
Door width required:	56-3/4" (1441 mm)

Notes

- Install this product according to the installation instructions.
- Product is designed to be used with a single-hole mixer valve with an escutcheon cover not to exceed 7-3/4" (197 mm) in width.
- Studs should be positioned roughly as shown.
- Double studding is recommended for pivot shower door installations.
- Bath cannot be installed without the wall surround.
- Width of back wall at the top transitions from 60" (1524 mm) at the front to 59-3/8" (1508 mm) in the back corners. Furring strips approximately 1/4" (6 mm) thick should be used at the back corner studs if drywall is to be installed over the nailing flange.