



OC-SS-39

39" Shower with Seat and Grab Bars

62050125



Features

- Tongue-and-groove four piece modular design allows for easy snap together installation.
- Modular design allows it to be moved around corners and through doorways with ease.
- Durable swirl gloss finish.
- Includes folding transfer seat with stainless steel support.
- Includes factory installed stainless steel grab bars.
- 1/2" (13 mm) threshold with 1/2" (13 mm) finished floor.
- 39-3/8" (1000 mm) x 39-3/8" (1000 mm) x 72" (1829 mm) complete unit finished dimensions.

Material

- Compression molded from our exclusive Vikrell® material.

Installation

- Caulk required for proper installation.

Components

Product includes:

62055125 39" Shower End Wall Set with Seat and Grab Bar

62051100 39" Shower Base

62052123 39" Shower Back Wall with Grab Bar



Codes/Standards

CSA B45.5/IAPMO Z124

ASTM E162

ASTM E662

Greenguard UL 2818 - Gold

ICC/ANSI A117.1

HUD, UM Bulletin 73

STERLING® Warranty - Fixtures Made of Solid Vikrell Material



STERLING® Warranty - Grab Bars

STERLING® Warranty - Bathing & Showering Seats

See website for detailed warranty information.

Available Color/Finishes

Color tiles intended for reference only.

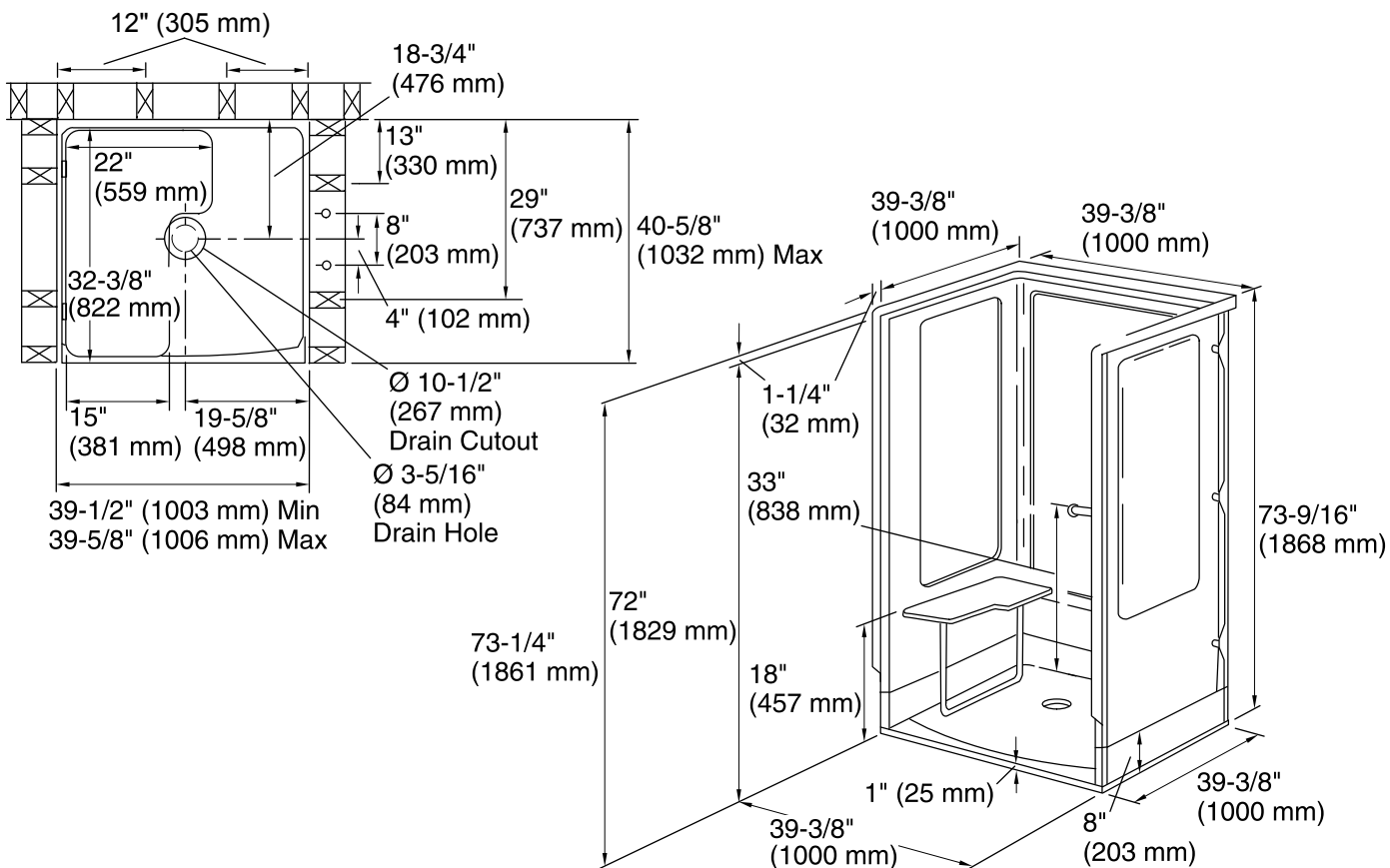
Color	Code	Description
	0	White
	96	KOHLER Biscuit

USA/Canada: 1-800-STERLING (1-800-783-7546)

Kohler Co. reserves the right to make revisions without notice to product specifications.

For the most current Specification Sheet, go to www.sterlingplumbing.com.

10-30-2016 05:19



Technical Information

All product dimensions are nominal.
 Installation: 3-Wall Alcove
 Drain location: Center
 Minimum flat for door: 0" (0 mm)
 Threshold height: 1/2" (13 mm)

Notes

Install this product according to the installation instructions.

1/2" minimum finished floor thickness required.
 Studs should be positioned as shown.

Drain cutout in subfloor to be 10-1/2" (267 mm) per rough-in illustration as shown to allow the backside of the drain to sit below the subfloor surface.

Backer boards and fasteners protrude beyond the back wall 1-1/2" (38 mm). If installing this product against wall board, 1-1/2" (38 mm) furring strips installed over the wall board are recommended. The stud pocket depth of 40-5/8" (1032 mm) will need to be increased by the combined thickness of the wall board and furring strips.