

TOP-MOUNT KITCHEN SINK 11401

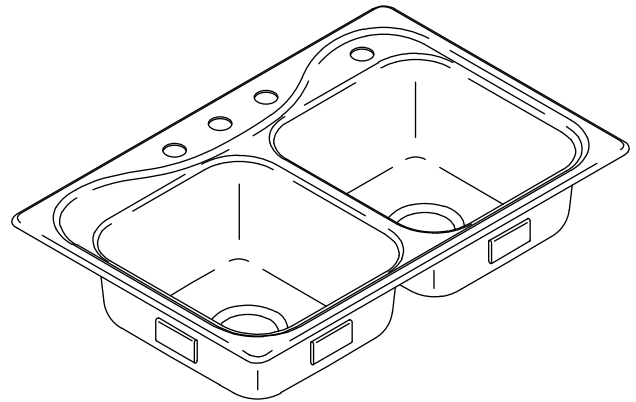
Features

- 20-gauge stainless steel
- Includes SilentShield® sound-absorption technology
- Double (equal) bowl, ledge back sink
- Top-mount, rolled rim
- Satin deck and luster bowls
- 33" (838 mm) x 22" (559 mm) x 7" (178 mm)

Codes/Standards Applicable

Specified model meets or exceeds the following:

- ASME A112.19.3/CSA B45.4
- State of Massachusetts



Colors/Finishes

- NA: None applicable

Accessories

- CP: Polished Chrome
- ST: Stainless Steel

Specified Model

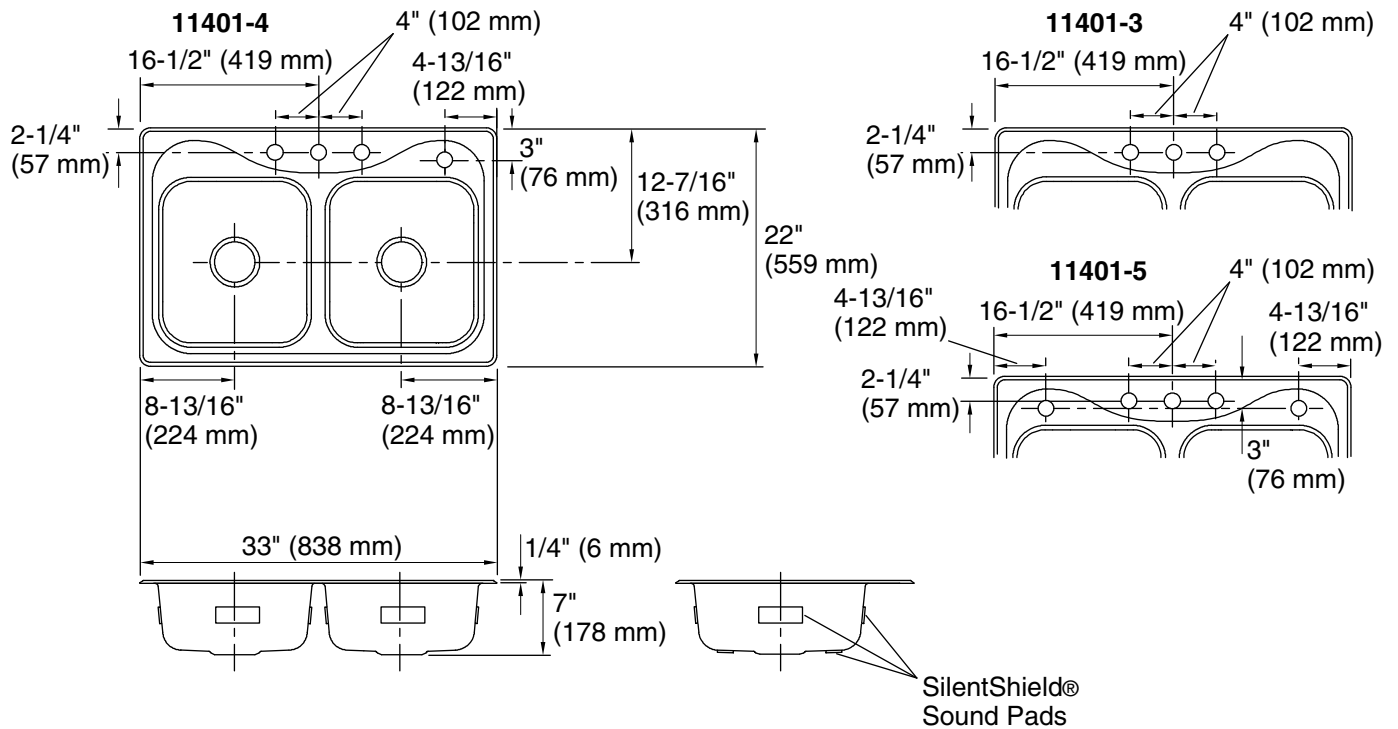
Model	Description	Faucet Holes	Quantity	Basin Depth	Colors/Finishes
11401-3	Top-mount kitchen sink	3	1	7" (178 mm)	<input type="checkbox"/> NA
11401-4	Top-mount kitchen sink (shown)	4	1	7" (178 mm)	<input type="checkbox"/> NA
11401-5	Top-mount kitchen sink	5	1	7" (178 mm)	<input type="checkbox"/> NA
F11401-3	Top-mount kitchen sink, multi-pack	3	40	7" (178 mm)	<input type="checkbox"/> NA
F11401-4	Top-mount kitchen sink, multi-pack	4	40	7" (178 mm)	<input type="checkbox"/> NA
F11401-5	Top-mount kitchen sink, multi-pack	5	40	7" (178 mm)	<input type="checkbox"/> NA

Optional Accessories					
K-6139	Stainless steel sponge caddy				<input type="checkbox"/> ST
K-8813	Stainless steel sink strainer with tailpiece			<input type="checkbox"/> CP	
11861	Stainless steel bottom bowl rack				<input type="checkbox"/> ST

SOUTHHAVEN®

Technical Information

Fixture*: Sink	
Bowl areas	14" (356 mm) x 15-1/8" (384 mm)
Drain holes	Ø 3-5/8" (92 mm)
Faucet holes	Ø 1-7/16" (37 mm)
* Approximate measurements for comparison only.	
Cutout size	32-1/2" (826 mm) x 21-1/2" (546 mm) with 1/2" (13 mm) radius corners
Cutout template	1032929-7 (available at sterlingplumbing.com)



Product Diagram