

SPEAKMAN® SM-3410

Sentinel Mark II® Balanced Pressure Shower System

FEATURES:

- Sentinel Mark II concealed anti-scald balanced pressure shower with integral volume control and integral stops.
- Chrome plated brass wall plate with metal index.
- Chrome plated brass lever handle.
- Independent center sleeve allows up to 1 in. of rough-in variation.
- Adjustable temperature limit stop. Brass body.
- Pressure balancing & ceramic temperature regulating cartridge with built-in check valves.
- Can be installed back-to-back.
- Roughing-in template.
- S-2272-E2 showerhead with flow control device reduces flow to a maximum of 2.0 gpm (7.6 L/min) flow rate
- S-2500 shower arm and wall flange.
- Four port valve with 1/2 in. female copper sweat inlets and shower outlet (tub outlet 1/2 NPT female).
- Furnished with 1/2 in. pipe plug.



FINISH:



PC

COMPLIANCE:

- ASSE 1016 & ASME 112.18.1/CSA B125.1 standards (SM-3400 valve)
- WaterSense certified (S-2272-E2 shower head)

OPTIONS: Add suffix to model

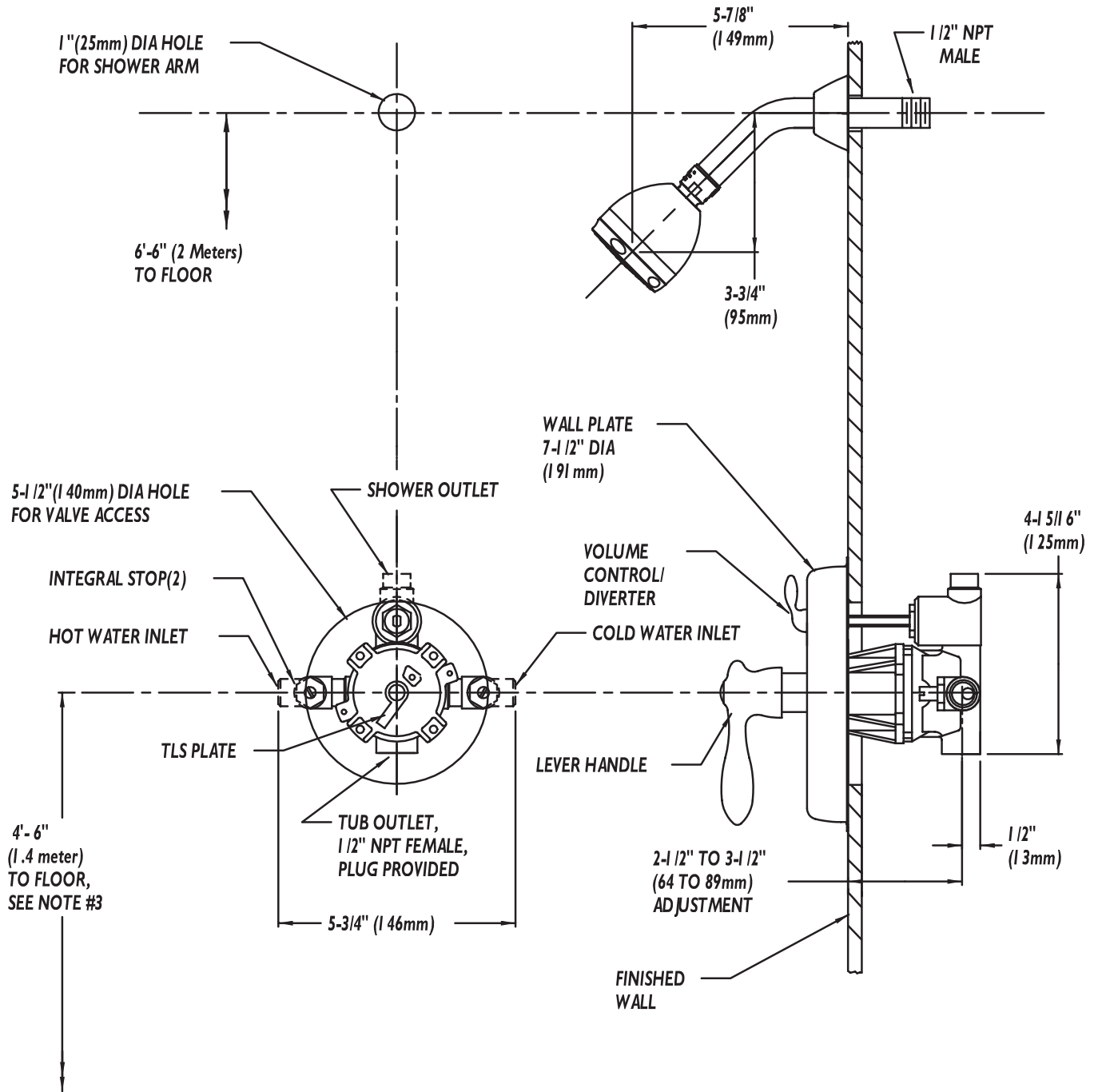
- Less showerhead -LH
- S-2251 showerhead -1
- S-2252 showerhead -2
- S-2253 showerhead -3
- S-2292 showerhead -9
- Contractor Packs Available

WARRANTY:

- 5 year limited

NOTE: 1. All dimensions are in inches (millimeters) unless otherwise specified and are subject to change without notice.
 2. Unless otherwise specified all inlets and outlets are 1/2" female copper sweat. 3. For ADA mounting locations consult ADAAG, ANSI A117.1, or state regulations.

DIMENSIONS:



SPEAKMAN® SM-3430

Sentinel Mark II® Balanced Pressure Shower/Tub System

FEATURES:

- Sentinel Mark II concealed anti-scald pressure balance valve with integral diverter, adjustable temperature limit stop, and integral stops.
- Chrome plated brass wall plate with metal index.
- Chrome plated brass lever handle.
- Independent center sleeve allows up to 1 in. of rough-in variation.
- Brass body.
- Pressure balancing & ceramic temperature regulating cartridge with built-in check valves.
- Can be installed back-to-back. Roughing-in template.
- S-2272-E2 showerhead with flow control device reduces flow to a maximum of 2.0 gpm (7.6 L/min).
- S-2500 shower arm and wall flange.
- S-1554 tub spout.
- Four port valve with 1/2 in. female copper sweat inlets and shower outlet (tub outlet 1/2 NPT female).



FINISH:



PC

COMPLIANCE:

- ASSE 1016 & ASME 112.18.1/CSA B125.1 standards (SM-3400 valve)
- WaterSense certified (S-2272-E2 shower head)

OPTIONS: Add suffix to model

- Less showerhead -LH
- S-2251 showerhead -1
- S-2252 showerhead -2
- S-2253 showerhead -3
- S-2292 showerhead -9
- Contractor Packs Available

WARRANTY:

- 5 year limited

NOTE: 1. All dimensions are in inches (millimeters) unless otherwise specified and are subject to change without notice.
 2. Unless otherwise specified all inlets and outlets are 1/2" female copper sweat. 3. For ADA mounting locations consult ADAAG, ANSI A17.1, or state regulations.

DIMENSIONS:

