

SPEAKMAN®

SE-580

EYESAVER® EYEWASH

DESCRIPTION

The SE-580 Eyesaver® eyewash features a plastic bowl, dual aerated spray heads with automatic flow controls and flip-top dust covers.

SPECIFICATIONS

Bowl: Yellow plastic

Spray Heads: (2) aerated yellow plastic spray outlets with flip-top dust caps

Valve: ½" NPT female brass, chrome-plated

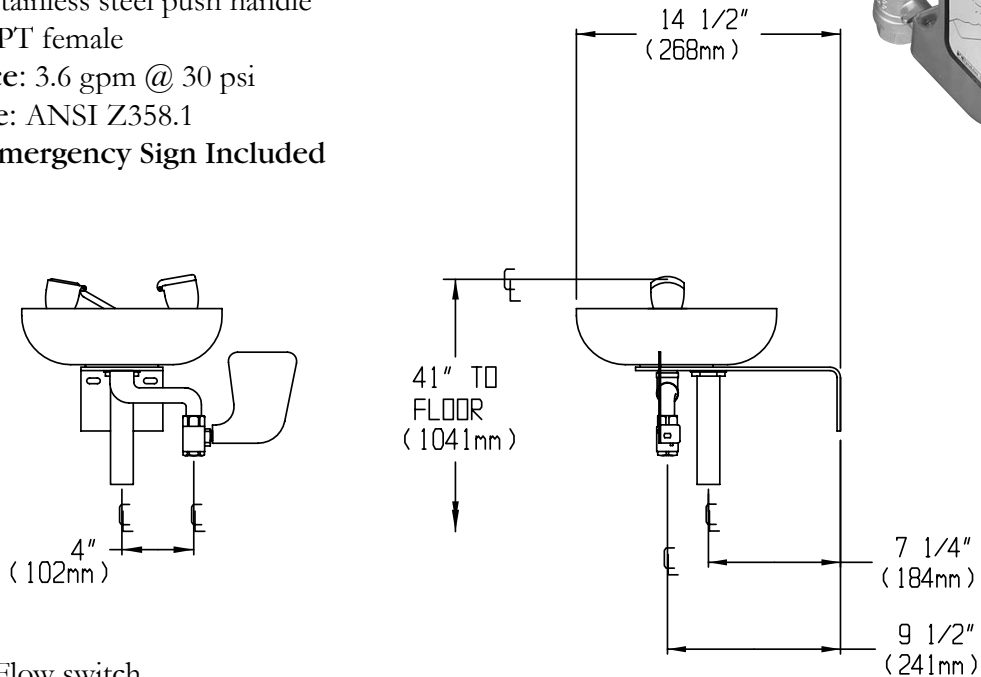
Activator: Stainless steel push handle

Inlet: ½" NPT female

Performance: 3.6 gpm @ 30 psi

Compliance: ANSI Z358.1

Universal Emergency Sign Included



OPTIONS

- FLW Flow switch
- FPV Freeze protection valve
- HFO Hand/Foot operation
- HS Hand-held spray
- ILS In-line strainer
- PT P-trap
- SPV Scald protection valve
- SSBV Stainless steel ball valve

Job Name _____	
Location _____	
Architect/Engineer _____	
Sales Representative _____	
Wholesaler _____	
Date _____	Model # _____