

SPEAKMAN®

Commercial Showerhead

S-2272-E2
S-2272-E15

SPECIFICATION



MODELS:

- S-2272-E2: 2.0 gpm (7.6 L/min) flow rate
- S-2272-E15: 1.5 gpm (5.7 L/min) flow rate

FEATURES:

- Single function
- Spray face is removable for cleaning

COMPLIANCE:

- WaterSense certified



FINISH:

- Polished Chrome (standard)

WARRANTY:

- 1 year limited

SEE REVERSE FOR ROUGH-IN DIMENSIONS

THIS SPACE FOR ARCHITECT/ENGINEER APPROVAL.

SPEAKMAN®

400 ANCHOR MILL ROAD | NEW CASTLE, DE 19720
P: 800-537-2107 | F: 800-977-2747
WWW.SPEAKMANCOMPANY.COM

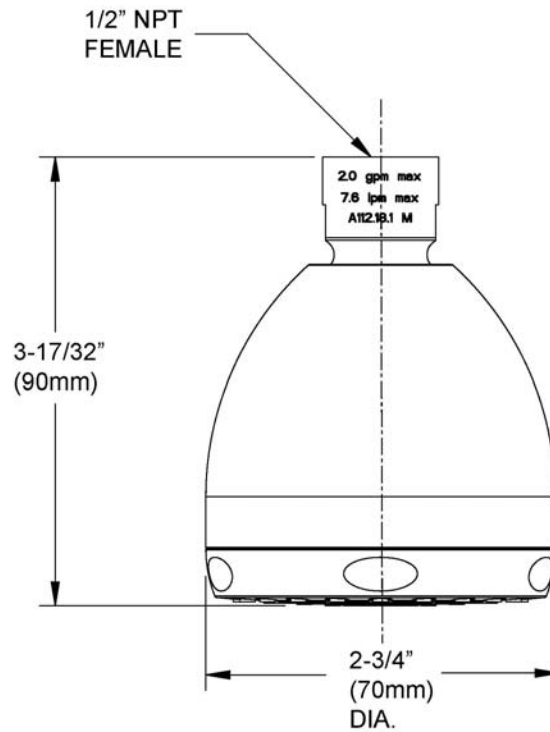
REVISION DATE: DECEMBER 2014

Management Systems
Registered to ISO 9001

SPEAKMAN®

Commercial Showerhead S-2272-E2

SPECIFICATION



NOTE: 1. All dimensions are in inches (millimeters) unless otherwise specified and are subject to change without notice.

THIS SPACE FOR ARCHITECT/ENGINEER APPROVAL.

SPEAKMAN®

400 ANCHOR MILL ROAD | NEW CASTLE, DE 19720
P: 800-537-2107 | F: 800-977-2747
WWW.SPEAKMANCOMPANY.COM

Management Systems
Registered to ISO 9001

REVISION DATE: DECEMBER 2014