

► **Code Number**

3729726

► **Description**

Exposed Bedpan Washer Water Closet Flushometer with Dual Flush Feature, for floor mounted or wall hung top spud bowls.

► **Flush Cycle**

Model WES BPW-1150-1.6/1.1 High Efficiency (DOWN - 1.6 gpf/ 6.0 Lpf, UP - 1.1 gpf/ 4.2 Lpf)

► **Specifications**

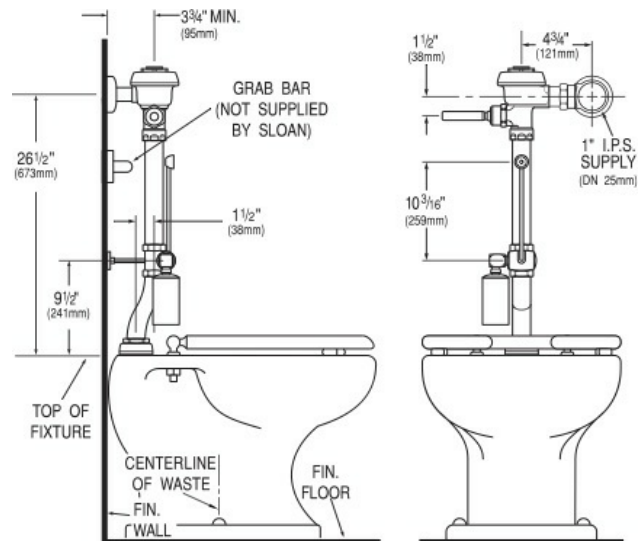
Single Flush, Quiet, Exposed, Diaphragm Type, Chrome Plated Closet Flushometer with the following features:

- Lifting Handle UP initiates reduced flush (1.1 gpf/4.2 Lpf), eliminating liquid and paper waster, saving a ½-gallon of water
- Pushing Handle DOWN initiates full flush (1.6 gpf/6.0 Lpf), eliminating all waste
- Reduces water volume by up to 30% when activated UPWARDS
- Infrared Sensor with Multiple-focused, Lobular Sensing Fields for high and low target detection
- Antimicrobial Coating on Handle Protects Against Germs
- Metal Non-Hold-Open Handle with Triple Seal Handle Packing
- 1" I.P.S. Screwdriver Bak-Chek® Angle Stop with Vandal Resistant Stop Cap
- 1 1/2" Offset Flush Tube
- Vacuum Breaker with Flush Connection
- Spud Coupling and Spud Flange for 1½" Top Spud
- Sweat Solder Adapter with Cover Tube and Cast Wall Flange
- Non-Hold-Open Handle and No External Volume Adjustment to Ensure Water Conservation
- Flush Accuracy Controlled by CID Technology
- Stop Seat and Vacuum Breaker molded from PERMEX® Rubber Compound for Chloramine Resistance
- Includes two (2) adhesive backed Metal Wall Plates etched with Instructions

Bedpan Washer Diverter Assembly with the following features:

- Solid One-piece Body Construction
- Solid Brass Spray Arm
- Counter Balanced Pivot Assembly and Diverter Valve Wall Support
- Valve Body, Cover, Tailpiece and Control Stop shall be in conformance with ASTM Alloy Classification for Semi-Red Brass. Valve shall be in compliance to the applicable sections of ASSE 1037 and ANSI/ASME 112.19.2. Installation conforms to ADA requirements.

Valve Body, Cover, Tailpiece and Control Stop shall be in conformance with ASTM Alloy Classification for Semi-Red Brass. Valve shall be in compliance to the applicable sections of ASSE 1037. Installation meets ADA height requirements. Installation conforms to ADA requirements.



► **Compliance & Certifications**



Made In The
USA



This space for Architect/Engineer Approval