

EWF-42000

► **Description**

Double Station Solid Surface Corner Lavatory System Equipped with Sloan OPTIMA® Electronic Sensor Technology.

► **Model**

EWF-42000 Two Station SloanStone Lavatory System with Integrated Sloan Optima® Electronic Sensor Technology

► **Specifications**

Double Station Lavatory System with Sloan Electronic Sensor Technology with the following features:

- Lavatory constructed of Non-porous SloanStone Solid Surface Material
- Lavatory supported by a heavy duty, 14 gauge, Type 304 stainless steel, satin finish Pedestal with 14 gauge galvanized steel Mounting Plate
- Single continuous basin design
- Front access panel for easy maintenance access
- Stainless steel drain cover with 1½" drain spud
- Sloan Optima Electronic Sensor Technology for hands free operation
- Lavatory System is shipped pre-plumbed with Sloan Electronic Controls for easy installation

Sloan Optima® Electronics feature:

- Sloan Optima Sensor Technology for reliable performance
- Troubleshooting LED Indicator Lights
- Filtered Solenoid with serviceable Strainer Filter
- Stainless Steel vandal resistant Spouts
- Water saving 0.5 gpm/1.9 Lpm max. Aerator
- Hardwire powered

► **Variations**

- BDT** Below Deck Thermostatic Mixing Valve _____
- SD** Soap Dispenser _____
- FM** Floor Mounted _____

► **Colors**

- AH** Ash _____
- SS** Sand _____
- SL** Slate _____
- TP** Taupe _____
- PL** Pearl _____
- JT** Jet _____
- JD** Jade _____
- AM** Amber _____
- IN** Indigo _____

► **Warranty**

3 year (limited)



*The New SloanStone® Lavatory System
 — The Perfect Match*

The performance and dependability of Sloan Optima® and the durability of Solid Surface are now combined in the SloanStone® Lavatory System.

Hygienic and durable, SloanStone® is stain, chemical and impact resistant. A rugged stainless steel support structure ensures long lasting strength. A SloanStone® Lavatory System is easy to install and easy to maintain.

The “hands-free” operation of a SloanStone® Optima® Electronic Lavatory System ensures hygiene while maintaining an aesthetically pleasing look that is suited for any public rest room installation.

Sloan Optima Electronics are:



This space for Architect/Engineer approval	
Job Name _____	Date _____
Model Specified _____	Quantity _____
Variations Specified _____	
Customer/Wholesaler _____	
Contractor _____	
Architect _____	

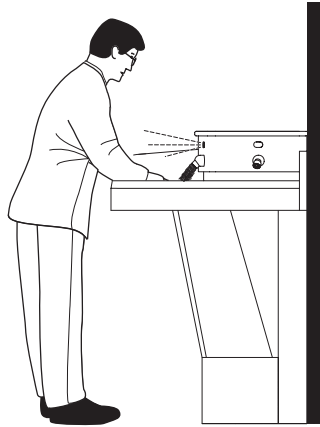
The information contained in this document is subject to change without notice.

EWF-42000

Double Station Lavatory System

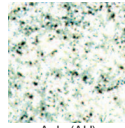
OPERATION

As the user's hands enter the beam's effective range, the beam is reflected back into the sensor receiver and activates the solenoid valve allowing water to flow from the spout. Water will flow until user's hands are removed or until the time out limit is reached.



SLOANSTONE COLORS

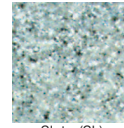
Standard Colors



Ash (AH)



Sand (SS)



Slate (SL)

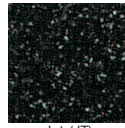


Taupe (TP)

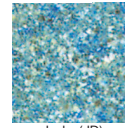


Pearl (PL)

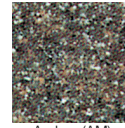
Special Colors



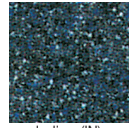
Jet (JT)



Jade (JD)

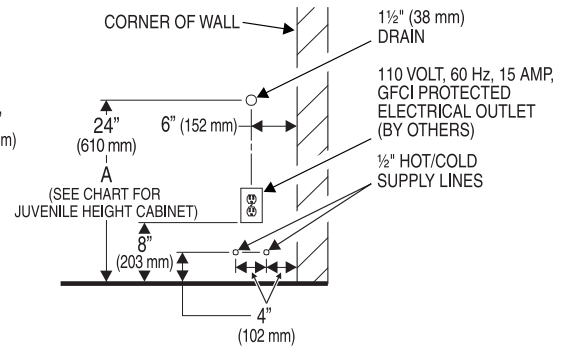
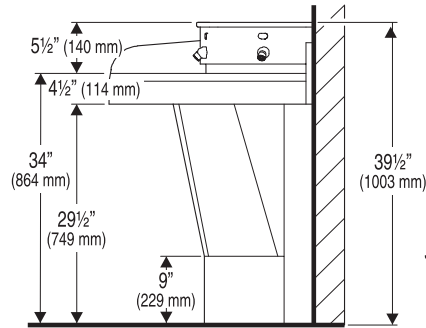
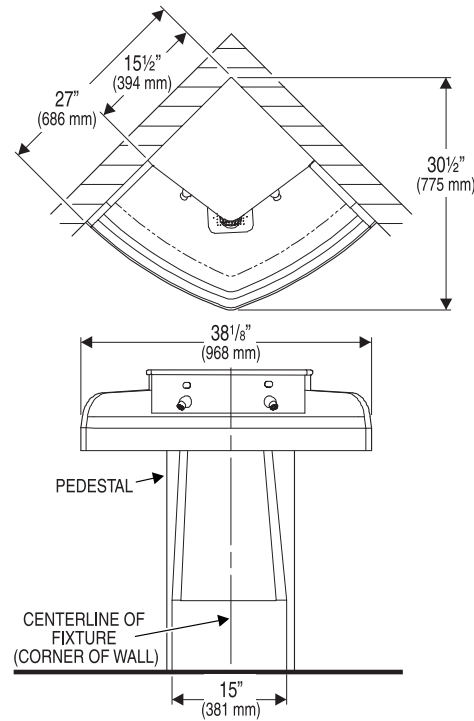


Amber (AM)



Indigo (IN)

ROUGH-IN



Consult local electrical codes for the mounting location of the 110/24 VAC Class 2 transformer.

For additional technical information, contact the Sloan Installation Engineering Department at 1-888-SLOAN-14 (1-888-756-2614) or techsupport@sloanvalve.com

VARIABLE MOUNTING HEIGHT CHART

	DIMENSION DESCRIPTION	T.A.S. AGES 4-10	T.A.S. AGES 11-15	A.D.A. STANDARD
A	ROUGH-IN	16 1/2" (419 mm)	18 1/2" (470 mm)	20 1/2" (521 mm)

SLOAN • 10500 SEYMOUR AVENUE • FRANKLIN PARK, IL 601312

Phone: 1-800-982-5839 or 1-847-671-4300 • Fax: 1-800-447-8329 or 1-847-671-4380 • www.sloanvalve.com