

► **Code Number:**

3335050

► **Description**

6 VDC Adapter Powered, Sensor Activated, Electronic Hand Washing Faucet for pre-tempered or hot and cold water operation.

► **Flow Rates**

0.5 gpm/1.9 Lpm Laminar (EAF-63 Standard)

► **Specifications**

Sensor Activated, Electronic, Chrome Plated Brass Body, Hand Washing Soap Dispenser with the following features:

Modular One-Piece Construction with all Serviceable Components above deck

Double Infrared Sensor with Automatic Setting Feature and Microprocessor

Magnetic Solenoid Valve

Water Supply Connection with Flexible High-pressure Hose and Strainer

6 Volt DC Plug-in Adapter

Appropriate Mounting Hardware included

► **Accessories**

Trim Plates must be specified and ordered separately.

See Accessories Section of the Sloan catalog for available accessories

► **The new Optima i.q. faucet — Bringing intelligence to water**

Sloan's Optima i.q. EAF-200 Series electronic hand washing faucets operate by means of a dual infrared sensor and microprocessor based logic. The modular design incorporates all of the operating components of the faucet, including the sensor, solenoid and circuitry above the sink within a brass spout.

► **Control Circuit**

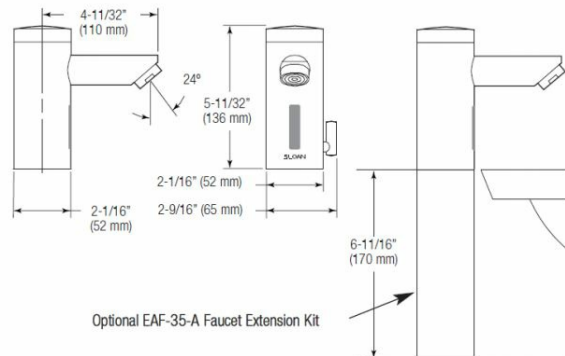
6 VDC — Includes Auto Set Range Adjustment

► **Time Out Setting**

90 second — Maximum time faucet will run upon continuous detection

► **Mixing Valve**

None

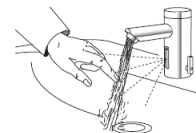


► **Compliance & Certifications**



ASME A112.18.1-2005/CSA B125.1-05, ISO/IEC 17025

► **OPERATION**



As the user's hands enter the beam's effective range, the beam is reflected back into the sensor receiver and activates the solenoid valve allowing water to flow from the faucet. Water will flow until the hands are removed or until the faucet reaches its automatic time out limit setting.

This space for Architect/Engineer Approval