

► **Code Number**

3379008

► **SPECIFICATIONS**

Description

- Battery Powered, Sensor Activated, Sloan® Optima® Plus Model Retrofit Conversion Kit for Exposed Urinal Flushometers.

Specifications

- Initial Set-up Range Indicator Light (first 10 minutes)
- "Low Battery" Flashing LED
- Installation Tools provided
- Infrared Sensor with Multiple-focused, Lobular Sensing Fields for high and low target detection
- Latching Solenoid Operator
- Infrared Sensor Range Adjustment Screw
- Chrome Plated Metal Handle Cap
- Engineered Plastic Cover with replaceable Lens Window
- Quiet, Exposed, OPTIMA Plus®, Battery Powered, Sensor Activated Urinal Flushometer Retrofit Conversion Kit for Sloan Royal® and Regal® Flushometers with the following features:
- ADA Compliant Battery Powered Infrared Sensor for automatic "Hands-free" operation
- Courtesy Flush® Override Button
- High Chloramine Resistant PERMEX® Synthetic Rubber Diaphragm with Linear Filtered Bypass and Vortex Cleansing Action™
- Four (4) Size AA Batteries included

Flush Cycle

- 3.5 gpf/13.2 lpf
- 0.5 gpf/1.9 Lpf
- 1.0 gpf/3.8 Lpf

Accessories (Sold Separately)

- See Accessories Section and OPTIMA® Accessories Section of the Sloan catalog for details on these and other OPTIMA® Flushometer variations.

► **ELECTRICAL SPECIFICATIONS**

Control Circuit

- Solid State
- 6 VDC Input
- 8 Second Arming Delay
- 24 Hour Sentinel Flush

Indicator Lights

- Range Adjustment

Battery Type

- (4) AA Alkaline

Battery Life

- 6 Years @ 4,000 flushes/month

Sensor Range

- Nominal 15"-30" (381 mm-762 mm), adjustable ± 8" (203 mm)

Sensor Type

- Active Infrared

Sentinel Flush

- Automatic flush once every 72 hours after the last flush. Product



► **FEATURES**

Automatic Operation

- Sloan Optima Plus® Flushometers activate via multi-lobular sensor detection to provide the ultimate in sanitary protection and automatic operation. A battery powered infrared sensor sets the flushing mechanism after the user is detected and Completes the flush when the user steps away.

Economical

- Automatic operation provides water usage savings over other flushing devices. Reduces maintenance and operation costs.

Hygienic

- User makes no physical contact with the Flushometer surface except to initiate the Override Button when required. Helps control the spread of infectious diseases.

► **Compliance & Certifications**



This space for Architect/Engineer Approval

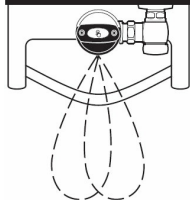
► **ROUGH-IN**

shipped from factory with feature turned off. Consult factory to activate.

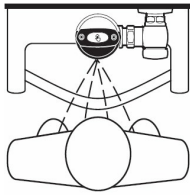
Operating Pressure

- 15 - 100 psi (104 - 689 kPa)

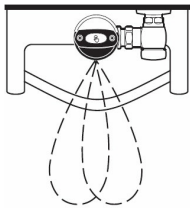
► OPERATION



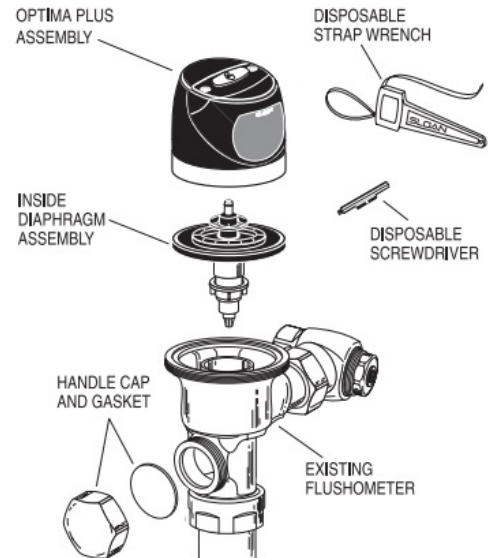
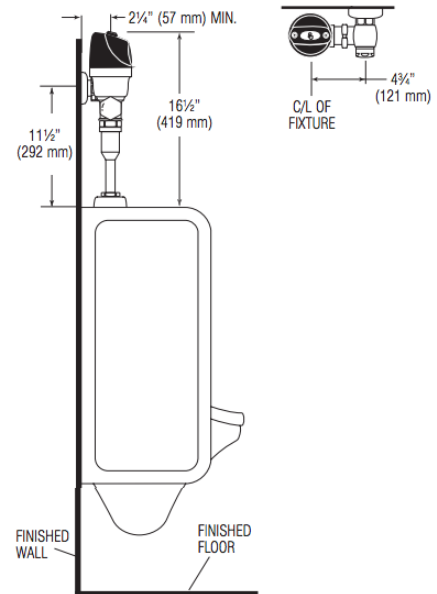
1. A continuous, invisible light beam is emitted from the Sensor.



2. As the user enters the beam's effective range (15" to 30") the beam is reflected into the Scanner Window and transformed into a low voltage electrical circuit. Once activated, the Output Circuit continues in a "hold" mode for as long as the user remains within the effective range of the Sensor.



3. When the user steps away from the Sensor, the Sensor initiates an electrical signal that operates the Solenoid. This initiates the flushing cycle to flush the fixture. The Circuit then automatically resets and is ready for the next user.



Note: Lens Deflector no longer needed for targeting children or wheel chair users.