

► **Code Number**

3370061

► **Description**

Concealed, solar-powered, sensor-activated SOLIS® Model Water Closet Flushometer for wall hung rear spud water closets.

► **Flush Cycle**

- 1.6 gpf/ 6.0 Lpf

► **Specifications**

Quiet, Concealed, Diaphragm Type, Rough Brass Water Closet Flushometer for either left or right hand supply with the following features:

- Trap Primer
- Chrome Plated Exposed Flushometer Parts
- 1" I.P.S. Wheel Handle Bak-Chek® Angle Stop
- Flush Accuracy Controlled by CID Technology
- Infrared Sensor with Multiple-focused, Lobular Sensing Fields for high and low target detection
- Initial Set-up Range Indicator Light (first 10 minutes)
- "Low Battery" Flashing LED
- Solar Powered. The sensor assembly is powered by a solar cell that will harvest power from artificial indoor light, either incandescent or fluorescent light, and use it as the energy source. The solar cell can provide approximately 100% power with 650 Illuminance (lux).
- Four (4) Size AA Battery Back-up Power Source
- Wall Plate with Stainless Steel Access Panel and Vandal Resistant Screws
- Synthetic rubber seals for chloramine resistance
- ADA Compliant SOLIS® Solar-Powered Infrared Sensor for automatic "No Hands" operation
- Infrared Sensor with Multiple-focused, Lobular Sensing Fields for high and low target detection
- Latching Solenoid Operator
- User friendly three (3) second Auto Flush Delay
- Courtesy Flush® True Manual Override Button
- Infrared Sensor Range Adjustment Screw
- High Back Pressure Vacuum Breaker Flush Connection with One piece Bottom Hex Coupling Nut
- Spud Coupling and Flange for 1-1/2" concealed Rear Spud
- Fixed Metering Bypass and No External Volume Adjustment to Ensure Water Conservation
- Diaphragm, Stop Seat and Vacuum Breaker molded from PERMEX® Rubber Compound for Chloramine resistance

Valve Body, Tailpiece and Control Stop shall be in conformance with ASTM Alloy Classification for Semi-Red Brass. Valve shall be in compliance with the applicable sections of ASSE 1037. Installation conforms to ADA requirements.

► **L Dimension**

Specify the "L" Dimension for the proper length of the flush connection. The "L" Dimension is equal to the Wall Thickness (to nearest whole inch) plus 4-3/4".



► **Automatic Operation**

SOLIS® solar-powered flushometers can be activated via multi-lobular infrared sensor. Sloan's SOLIS® solar-powered flushometer is a breakthrough in design and function that transforms light into power. The SOLIS® Series of flushometers provide the ultimate in conservation and performance.

► **Manual Operation**

Sloan's SOLIS® solar-powered flushometers incorporate an intuitive button design for easy manual activation.

► **Functional & Hygienic**

Touchless, sensor operation eliminates the need for user contact to help control the spread of infectious diseases. The SOLIS® solar-powered flushometers is provided with an override button to allow a Courtesy Flush® for individual user comfort.

► **Accessories (Sold Separately)**

See Accessories Section and SOLIS® flushometer Accessories Section of the Sloan catalog for details on these and other SOLIS® flushometer variations.

► **Fixtures**

Consult factory for matching Sloan brand fixture options.

► **Compliance & Certifications**



This space for Architect/Engineer Approval

### ► ELECTRICAL SPECIFICATIONS

#### Control Circuit

Solid State

6 VDC Input

8 Second Arming Delay

3 Second Flush Delay

#### Sensor Type

Active Infrared

#### Sensor Range

Nominal 22" - 42" (559 mm - 1067 mm), Adjustable  $\pm 8"$  (203 mm)

#### Battery Back Up Type

(4) AA Alkaline

#### Battery Life

6 Years @ 4,000 flushes/month

#### Indicator Lights

Range Adjustment

#### Operating Pressure

15 - 100 psi (104 - 689 kPa)

#### Sentinel Flush

Automatic flush once every 72 hours after the last flush. Product shipped from factory with feature turned off. Consult factory to activate.

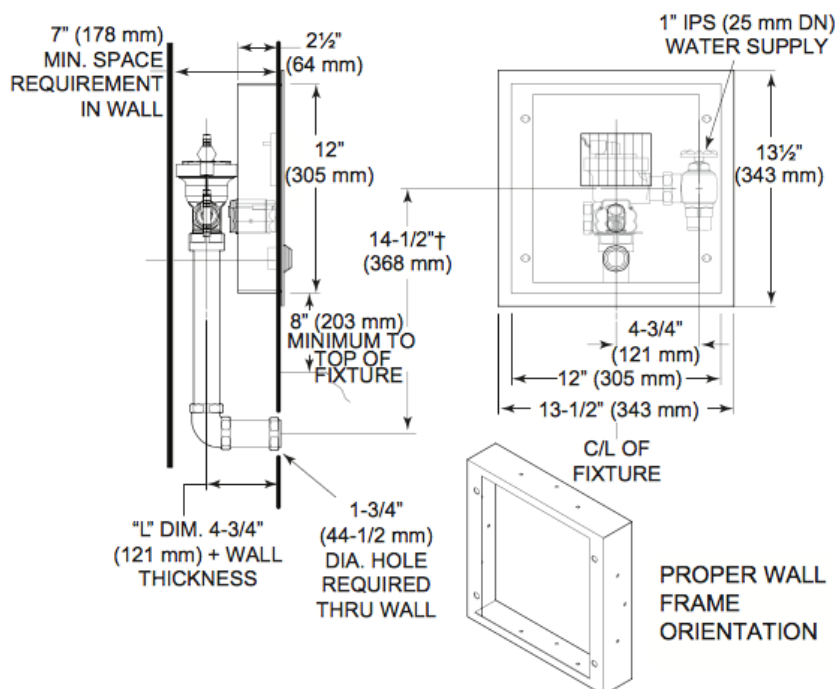
#### Wall Plate Specifications

Wall Plate: 13-1/2" x 13-1/2" (342 mm x 342 mm)

Frame: 12" x 12" x 4" (305 mm x 305 mm x 102 mm) #16 Gauge Steel Cover (Access Panel): #15 Gauge #304 Stainless Steel, #4 Finish

Screws: (4) #8-32 x 3/4" Drilled Spanner Head — Spanner Bit Provided 8152

### ► ROUGH-IN



### ► OPERATION

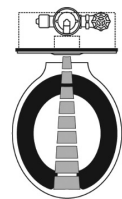
1. A continuous, invisible light beam is emitted from the SOLIS® sensor.



2. As the user enters the beam's effective range, 22" - 42", the beam is reflected into the Scanner Window to activate the Output Circuit. Once activated, the Output Circuit continues in a "hold" mode for as long as the user remains within the effective range of the sensor.



3. When the user steps away from the Sensor, the circuit immediately initiates an electrical "one-time" signal that operates the solenoid. This initiates the flushing cycle to flush the fixture. The circuit then automatically resets and is ready for the next user.



SOLIS 8152

SLOAN 10500 SEYMOUR AVE. • FRANKLIN PARK, • IL. 60131

Ph: 1-800-9-VALVE-9 or 1-847-671-4300 • Fax: 1-800-447-8329 or 1-847-671-4380 • <http://www.sloan.com>



**SOLIS® Solar-Powered  
Flushometer  
SOLIS 8152-1.6 SWB**

---