

► **Code Number**

3346065

► **Description**

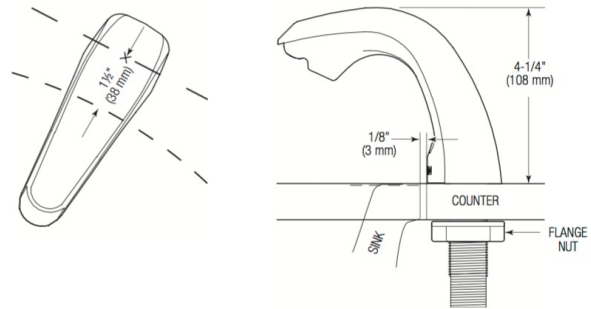
Sensor Activated Electronic Soap Dispenser.

► **Specifications**

- Modular One-piece Construction and easily attaches to deck surface
- Active Infrared Sensor
- 120 VAC Plug-in Adaptor (Model ESD-300)
- Low Soap Level Indicator
- One tool service
- All electronics sealed
- Unit supplied with one 800 ml. Container of Lotion Soap

► **Soap Refill Cartridges Available**

- ESD-217 — 800 ml. bottle of Lotion Soap
- ESD-232 — 1600 ml. bottle of Lotion Soap
- ESD-231 — 800 ml. bottle of Anti-bacterial Soap
- ESD-233 — 1600 ml. bottle of Anti-bacterial Soap



► **Benefits**

Flashing "red" light indicates soap replacement required for continuous soap dispensing

Sloan Infrared sensor activated electronic soap dispenser. It uses a refill bottle that simplifies replacement and reduces waste. Its sensor technology offers hands-free operation by delivering a pre-measured foam soap application "on demand." The product shall be tested and certified to industry standards.

Economical pre-measured soap dispensing saves soap and money

Soap refill cartridge is easy to replace and provides a new mechanism and soap path with every replacement

► **Compliance & Certifications**



► **OPERATION**



As the user's hands enter the beam's effective range, the beam is reflected back into the sensor receiver and activates the solenoid valve allowing a single soap application to flow from the spout.

Flashing "red" light in the sensor window indicates low refill

This space for Architect/Engineer Approval

