

▶ **Code Number**

3070061

▶ **Description**

Quiet, Piston Type, Exposed, Battery Powered, Single-Flush, Side Mount, Sensor-Activated Water Closet Flushometer for top spud floor mounted bowls or wall hung bowls.

▶ **Flush Cycle**

1.6 gpf/6.0Lpf

▶ **Specifications**

Quiet, Exposed, Piston Type, Chrome Plated Closet Flushometer with the following features:

- Trap Primer
 - Fixed Volume Piston with Filtered O-ring Bypass
 - Chrome Plated Infrared Sensor Housing
 - "Low Battery" Flashing LED
 - "User in View" Flashing LED
 - No External Volume Adjustment to Ensure Water Conservation
 - Can be Mounted on either the Left or Right Side of Valve
 - True Mechanical Override Flush Button
 - 72-Hour Sentinel Flush
 - Infrared Sensor Range Adjustment Screw and Reset Button
 - Right Side or Left Side Mountable
 - Sweat Solder Adapter w/Cover Tube and Cast Wall Flange with Set Screw
 - Packing, Stop Seat and Vacuum Breaker Molded from PERMEX® Rubber Compound for Chloramine resistance
 - Four (4) Size C Alkaline Batteries included
 - ADA Compliant Battery Powered Infrared Sensor for automatic "Hands-free" operation
 - Flush accuracy controlled by CID® technology
 - Spud Coupling and Flange for 1 1/2" Top Spud
- Valve Body, Cover, Tailpiece and Control Stop shall be in conformance with ASTM Alloy Classification for Red Brass. Valve shall be in compliance to the applicable sections of ASSE 1037 and ANSI/ASME 112.19.2.
- 1" I.P.S. Screwdriver Bak-Chek® Angle Stop with Free Spinning Vandal Resistant Stop Cap

▶ **Accessories (Sold Separately)**

See Accessories Section and OPTIMA® Accessories Section of the Sloan catalog for details on these and other OPTIMA® Flushometer variations.

▶ **Fixtures**

Consult factory for matching Sloan brand fixture options.

▶ **ELECTRICAL SPECIFICATIONS**

Control Circuit

Solid State



▶ **Smart Sense Technology™**

Sloan® SFSM flushometers are equipped with Smart Sense Technology™, which applies extended range and logic techniques to provide superior sensor-activated performance.

▶ **Automatic Operation**

Gem-2 OPTIMA® SFSM equipped Flushometers are activated via multi-lobular infrared sensor. The sensor sets the flushing mechanism when the user is detected and Completes the flush when the user steps away.

▶ **Manual Operation**

Sloan® SFSM flushometers are equipped with Smart Sense Technology™, which applies extended range and logic techniques to provide superior sensor-activated performance.

▶ **Service Mode**

Features service mode which ignores targets for 10 minutes to enable fixture to be cleaned or serviced

▶ **Hygienic**

Touchless, sensor activation eliminates the need for user contact to help control the spread of infectious diseases. The Sloan DFSM Electronic Retrofit Units are provided with Reduced or Full Flush Override Buttons to allow a "courtesy flush" for individual user comfort. The 72-Hour Sentinel Flush keeps fixture fresh during periods of nonuse.

▶ **Compliance & Certifications**



This space for Architect/Engineer Approval

6 VDC Input
72 Hour Sentinel Flush
2-3 Second Arming Delay

Sensor Type

Infrared Convergence Type Object Lock Detection

Sensor Range

Factory Set at 25" - 40" (635 mm-1016 mm)

Battery Type

(4) C Alkaline

Battery Life

3 Years @4000 Flushes/Month

Indicator Lights

User in View

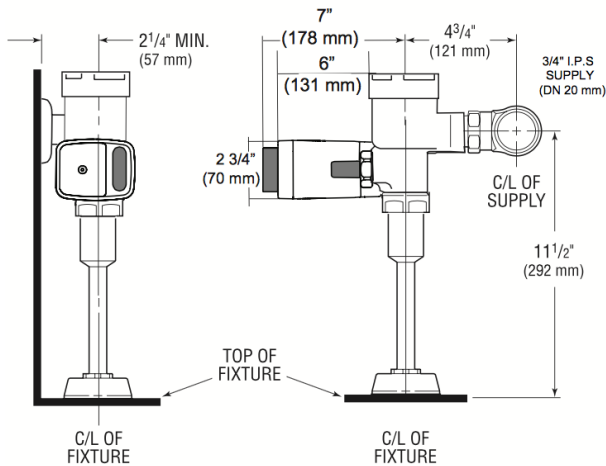
Operating Pressure

15 - 100 psi (104 - 689 kPa)

Operation Features

72-Hour Sentinel Flush

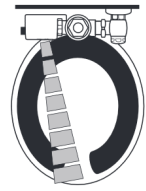
► ROUGH-IN



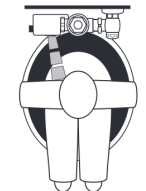
Includes EBV-500-A Single-Flush Side Mount Unit

► OPERATION

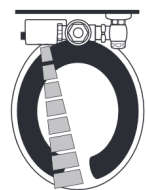
1. A continuous, invisible light beam is emitted from the Object Lock Infrared Sensor.



2. As the user enters the beam's effective range, 25" - 40" (635 mm-1016 mm), the object lock infrared sensor senses the user.



3. When the user steps away from the Object Lock Infrared Sensor, the circuit initiates the flushing cycle to flush the fixture. The Circuit then automatically resets and is ready for the next user.



► SFSM DIMENSIONS

