

Slant/Fin

Revital/Line

Aluminum Baseboard Replacement Cover

MADE WITH DURABLE
RUST-PROOF
EXTRUDED ALUMINUM

**Presenting the quick and easy makeover
for your aging baseboard covers!**

- **EASY! EASY!**
No Tools Needed for
Most Installations
- 2 Sizes available (Standard and XL)
- Fits Over Existing Back Panel
- Laboratory Tested for
Maximum Heat Output
- Powder-coated for a Durable,
Baked Enamel-like Finish
- Standard Color is Brite White.
Also available in 10 other
Decorator Colors
- Available in 8 sizes:
2ft•3ft•3.5 ft•4ft•5ft•6ft•7ft•8ft

Revital/Line Series fits most
brands of standard residential
and high output baseboard.

See dimensional drawings on back.

**FREE MEASURING GUIDE
AVAILABLE AT:**

www.slantfin.com/revital-line-series



Turn this..... **Into this!** That was **easy!**

Made from recycled Aluminum!



We Build Trust and Comfort



From the World's Leader in Baseboard Heaters Since 1949 • www.slantfin.com

Slant/Fin

Revital/Line®

Aluminum Baseboard Replacement Cover

Slant/Fin's Revital/Line®, pre-cut replacement baseboard cover, is so easy to use! Simply measure your current baseboard, choose your color, and you're ready to begin. This product is designed to slip over the existing back panel. All you do is remove the old accessories, front panel and damper, and you're ready to slip on the new cover. Visit www.slantfin.com to learn more and see a quick installation video.

The unique, modern design will provide durability and has been tested to allow for up to 40% more heat output than the competitive brands currently on the market. It's amazing how simple it is to transform the look of any room. And, best of all, anyone can do it! Slant/Fin takes the guesswork out of it...and puts our unsurpassed quality into every Revital/Line® makeover.

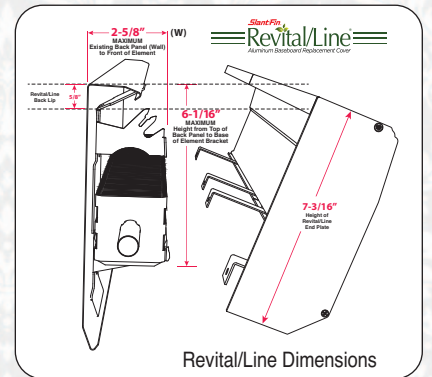


Figure 1.

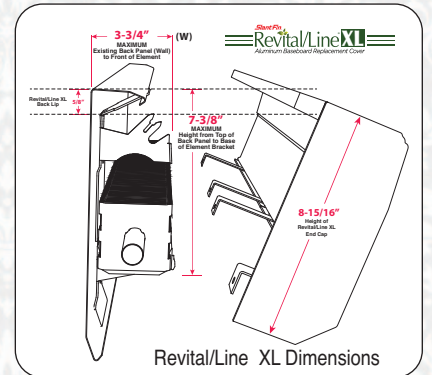


Figure 2.

Breathe new life into your aging baseboard!

Revitalize any room in your home... quickly and easily... with a pre-cut, slip-in-place baseboard cover. See how easy it is at www.slantfin.com

Revital/Line® is available in pre-cut lengths: 2', 3', 3-1/2', 4', 5', 6', 7', 8'
Revital/Line® Replacement Covers are for use with hydronic baseboard only.

Decorator Colors Available in 11 decorator colors!
BASEBOARD • COMMERCIAL FIN-TUBE ALUMINUM REPLACEMENT COVERS



Brite White (Standard) Nu-White Mirror Black Shell White Flat Black Rubbed Bronze (Metallic) Almond Cloud Gray Architectural Bronze Chestnut Chocolate

Colors shown here are matched to actual colors as close as possible. Slight variations can occur in printed material and on computer screens. Color chips are available upon request.

Accessories



Filler Sleeve
 RVTL FS 2"
 RVTL FS 4"
 RVTL FS 7"
 RVTL FS 14"

One piece filler sleeve covers gaps from 1" to 13"



Inside Corner
 RVTL IC-90°
 3-3/4" wide at top
 RVTL IC-135°
 (Not Shown)



Outside Corner
 RVTL OC-90° (Shown)
 RVTL OC-135°
 (Not Shown)



End Plate*
 RVTL End Plate

To seal the end with a flat finish. (screws included)

Not available for XL version.



Non-Hinged End Cap*
 2" RVTL LEC (Not Shown)
 2" RVTL REC (Not Shown)
 4" RVTL LEC (Shown)
 4" RVTL REC (Shown)

2" End Cap has a telescoping design that allows for a 1" adjustment.
 4" End Cap has a telescoping design that allows for a 3" adjustment.

*Minimum floor to top of back panel 6³¹/₃₂"



©Slant/Fin Corp. 2020 • Printed in U.S.A. 1120 • Publication No. RVTL-10

SLANT/FIN CORPORATION, Greenvale, N.Y. 11548 • Phone: (516) 484-2600
 FAX: (516) 484-0933 • Canada: Slant/Fin LTD/LTEE, Mississauga, Ontario

www.slantfin.com

