

ADJUSTABLE ON-GRADE FLOOR DRAIN

» 832 SERIES

FinishLine™

SPECIFICATION

Sioux Chief 832 series FinishLine™ adjustable floor drain shall be used where necessary in drainage systems. Floor drain shall allow adjustment before and AFTER the concrete pour. Strainer shall meet applicable load requirements for intended use. Trap primer port shall be threaded 1/2" FIP for optional connection. Designed in accordance with ASME A112.6.3-2001.

MATERIALS

Ring/strainer: Stainless steel

Coring Plug: High-impact polymer

Head Adapter/Coring Sleeve/Base Adapter: Stainless steel

STRAINER LOAD RATING

Stainless Steel: 1,000 lbs. (Light duty, heel-proof)

Reinforced Stainless Steel (M): 3,000 lbs. (Medium duty, heel-proof)

STRAINER FREE AREA

Round: 13.4 in²

Square: 16.4 in²

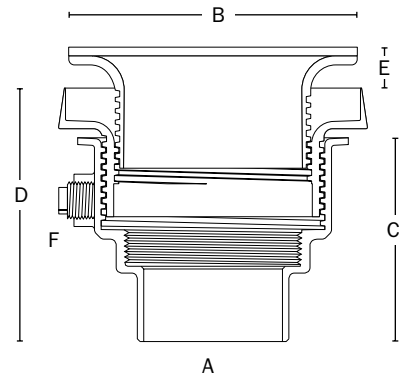
DIMENSIONS

A: Connection	3", 4" No-Hub
B: Ring/strainer diameter	
Round	6 1/2"
Square	7"
C: Base adapter height*	4 1/2"
D: Pre-pour height*	5 3/8" – 6 5/8"
E: After-pour height	
Round	0" – 1 1/4"
Square	5/16" – 1 1/4"
F: Trap primer port	1/2" FIP thread, plugged

ITEM # SUBMITTED	_____
JOB NAME	_____
LOCATION	_____
ENGINEER	_____
CONTRACTOR	_____
PO#	_____ TAG _____



832-3SSR



Create Item Number

832-ABC

e.g. **832-3SSRV:** FinishLine™ floor drain with 3" No-Hub connection and vandal-resistant, stainless strainer

CONNECTION A

3S = 3" No-Hub

4S = 4" No-Hub

RING/STRAINER B

SR = Round stainless steel

SQ = Square stainless steel

INSTALLED OPTIONS C

V = Vandal-resistant strainer screws

H = Hinged strainer (750 lbs. safe load)

M = Reinforced stainless steel strainer¹

1 Available for round strainers only

ACCESSORIES (ordered separately)

832-S4 = Leveling shim kit

832-W = Flexible locating bristle kit

832-UM = Stainless mesh debris basket

863-FN = Round nickel-bronze condensate funnel

863-FA = Round aluminum condensate funnel

863-FNO = Oval nickel-bronze condensate funnel