

ADJUSTABLE FLOOR DRAIN WITH DECK FLANGE

» 822 SERIES

FinishLine Halo™

ITEM # SUBMITTED	_____
JOB NAME	_____
LOCATION	_____
ENGINEER	_____
CONTRACTOR	_____
PO#	_____ TAG _____

SPECIFICATION

Sioux Chief 822 series adjustable floor drain shall be used where necessary in drainage systems. Floor drain shall have an 18 gauge stainless steel deck/mounting flange and ABS/PVC body with Sch. 40 hub connection. Floor drain shall allow adjustment of 1" after the concrete pour. Strainer shall be heel-proof and meet applicable load requirements for intended use. Trap primer port shall be threaded 1/2" FIP for optional connection. Designed in accordance with ASME A112.6.3-2001.

MATERIALS

- Ring/strainer:** nickel-bronze, 301 stainless steel
- Head adapter:** ABS
- Coring plug:** high-impact polymer
- Coring sleeve:** ABS
- Deck flange:** 18-gauge 430 stainless
- Base adapter:** ABS, PVC

STRAINER LOAD RATING

- Nickel-bronze:** 1,000 lbs. (light duty, pedestrian traffic)
- Stainless steel:** 2,000 lbs. (light duty, pedestrian traffic)

STRAINER FREE AREA

- Round:** 7.5 in² (22.75 GPM*)
- Square:** 12.75 in² (39 GPM*)

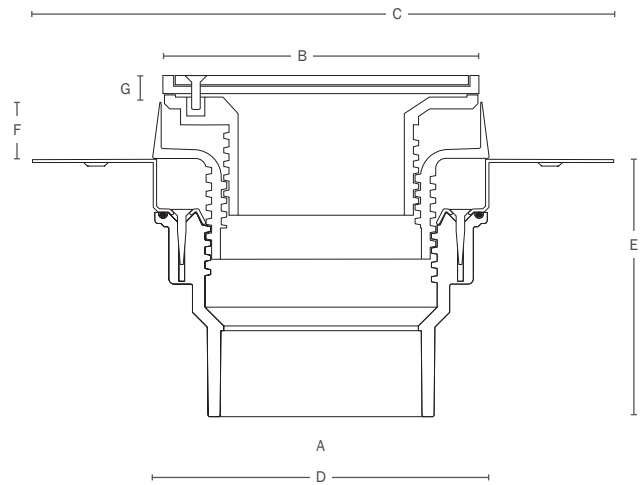
DIMENSIONS

- A: Connection size** 2"×3" or 3"×4" Sch. 40 hub
- B: Ring/strainer diameter round / square 5 1/2" / 5 7/8"
- C: Flange diameter 9 1/2"
- D: Body diameter 5 7/8"
- E: Body height 4 3/8"
- F: Sleeve height 1"
- G: Adjustable finish height round / square 0" - 1" / 5/16" - 1"

* indicates the flow rate of the strainer (not necessarily of the fixture) at 1/2" head
 ** Base adapters fit over 2" / inside 3" or over 3" / inside 4" pipe.



822-F3PNQ



Create Item Number

822-ABCD

e.g. **822-F2PNRV:** 2" Sch. 40 hub adjustable floor drain with deck flange and round nickel-bronze strainer with vandal-resistant screws

A: CLAMPING COLLAR

- (skip this option if collar is not needed)
- M** = Clamping collar kit
- (No collar is standard, unless otherwise specified)

B: CONNECTION

- F2A** = 2" ABS Sch. 40 hub
- F2P** = 2" PVC Sch. 40 hub
- F3A** = 3" ABS Sch. 40 hub
- F3P** = 3" PVC Sch. 40 hub

C: STRAINER TYPE

- NR** = Round nickel-bronze
- SR** = Round stainless steel
- NQ** = Square nickel-bronze
- SQ** = Square stainless steel

D: OPTIONS

- V** = Vandal-resistant strainer screws
 - B** = Complied with Buy American Act¹
 - E** = 1 1/4" extended strainer rim¹
- ¹ Available only for round nickel-bronze ring/strainer

ACCESSORIES

- 832-S3** Leveling shim kit
- 832-W** Flexible locating bristles kit
- 832-EX3** Threaded extension adapter. Fits between head and sleeve. Extends head 2" (min) to 3 3/4" (max) above sleeve rim
- 822-EX3** Threaded extension adapter. Fits between sleeve and body. Extends sleeve 2" (min) to 3 5/8" (max) above deck flange
- 863-FN** Round nik-brz condensate funnel
- 863-FA** Round aluminum condensate funnel