

# ADJUSTABLE FLOOR DRAIN WITH DECK FLANGE

» 822 SERIES

Halo™

ITEM # SUBMITTED	_____
JOB NAME	_____
LOCATION	_____
ENGINEER	_____
CONTRACTOR	_____
PO#	_____ TAG _____

## SPECIFICATION

Sioux Chief 822 series adjustable floor drain shall be used where necessary in drainage systems. Floor drain shall have an 18 gauge stainless steel deck/mounting flange and ABS/PVC body with Sch. 40 hub connection. Floor drain shall allow adjustment of 3/4" above the deck flange. Strainer shall be heel-proof and meet applicable load requirements for intended use. Trap primer port shall be threaded 1/2" FIP for optional connection. Designed in accordance with ASME A112.6.3-2001.

## MATERIALS

**Ring/strainer:** nickel-bronze, 301 stainless steel, 430 stainless steel

**Head adapter:** ABS

**Deck flange:** 18-gauge 430 stainless

**Base adapter:** ABS, PVC

## STRAINER LOAD RATING

**Nickel-bronze:** 1,000 lbs. (light duty, pedestrian traffic)

**Stainless steel:** 2,000 lbs. (light duty, pedestrian traffic)

**18GA Stainless steel:** 500 lbs. (light duty, pedestrian traffic)

## STRAINER FREE AREA

**Round:** 7.5 in<sup>2</sup> (22.75 GPM\*)

**Square:** 12.75 in<sup>2</sup> (39 GPM\*)

**18GA:** 5.75 in<sup>2</sup> (17.5 GPM\*)

## DIMENSIONS

A:	Connection size**	2"×3" or 3"×4" Sch. 40 hub
B:	Ring/strainer diameter	
	round / square / 18GA	5 1/2" / 5 7/8" / 5 3/8"
C:	Flange diameter	9 1/2"
D:	Body diameter	5 7/8"
E:	Body height	4 3/8"
F:	Adjustable finish height***	
	round / square / 18GA	0" - 3/4" / 5/16" - 3/4" / 0" - 1/2"

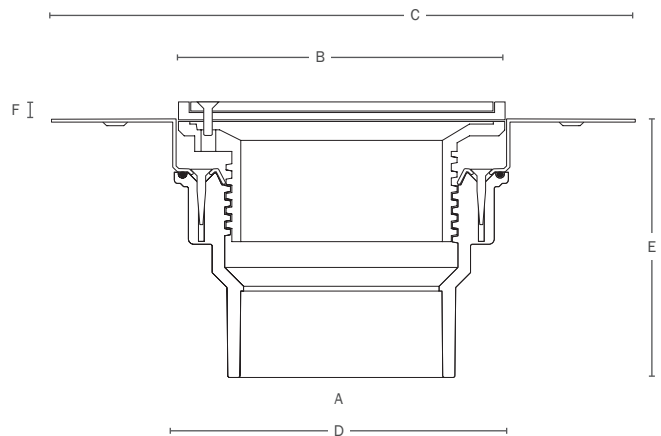
\* indicates the flow rate of the strainer (not necessarily of the fixture) at 1/2" head

\*\* Base adapters fit over 2" / inside 3" or over 3" / inside 4" pipe.

\*\*\* When using optional clamping collar, min dimension is 1/2" for cast ring/strainers



822-3PSQ



## Create Item Number

### 822-ABCD

e.g. **822-3PNRV:** 3" Sch. 40 hub adjustable floor drain with deck flange and round nickel-bronze strainer with vandal-resistant screws

#### A: CLAMPING COLLAR

(skip this option if collar is not needed)

**M** = Clamping collar kit

(No collar is standard, unless otherwise specified)

#### B: CONNECTION

**2A** = 2" ABS Sch. 40 hub

**2P** = 2" PVC Sch. 40 hub

**3A** = 3" ABS Sch. 40 hub

**3P** = 3" PVC Sch. 40 hub

#### C: STRAINER TYPE

**NR** = Round nickel-bronze

**SR** = Round stainless steel

**NQ** = Square nickel-bronze

**SQ** = Square stainless steel

**S** = 18 gauge stainless steel<sup>1</sup>

#### D: OPTIONS

**V** = Vandal-resistant strainer screws

**B** = Complied with Buy American Act<sup>2</sup>

**E** = 1 1/4" extended strainer rim<sup>2</sup>

#### ACCESSORIES

**822-EX3** Threaded extension adapter. Extends head 1 3/4" (min) to 3 3/8" (max) above deck flange

**822-TB** Threaded bushing. Glues over 3" Sch. 40 when using pipe for head extension.

**863-FN** Round nik-brz condensate funnel

**863-FA** Round aluminum condensate funnel

<sup>1</sup> Drain head creates plastic rim around strainer

<sup>2</sup> Available only for round nickel-bronze ring/strainer

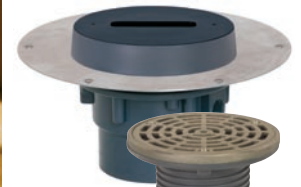
# Halo Drain™

NEW

Adjustable Floor Drain with Deck Flange



For above-grade applications when a clamping collar is not necessary



Finish Line Option

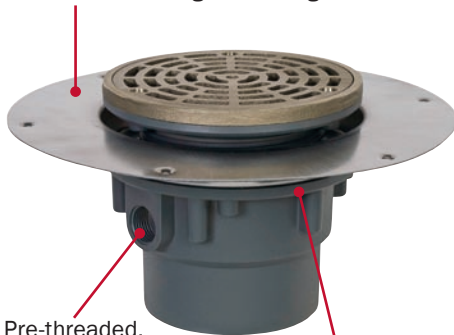


Cleanout Option



Accessories

2" wide, 18-gauge stainless steel flange for added strength and longer life



Pre-threaded, knockout trap primer port

Unique, integral o-ring between flange and drain body helps prevent leaks

## • UNIQUE

Finish fixture adjusts up to  $\frac{3}{4}$ " above flange to accommodate most flooring styles

Finish Line option allows for 1" of adjustment after the pour

## • ADAPTABLE

Great for loft remodels, second floor utility rooms/ laundry rooms, wood or corrugated concrete decks, cored concrete floors, epoxy floors, or sprayed-on water-proofing installations

Outlet welds over 2" and inside 3", or over 3" and inside 4" pipe



Supply • Drainage • Support • Testing • Specialties • Tools • Access

**Sioux Chief**  
MANUFACTURING SINCE 1957



## Installs Easier Than Existing Methods

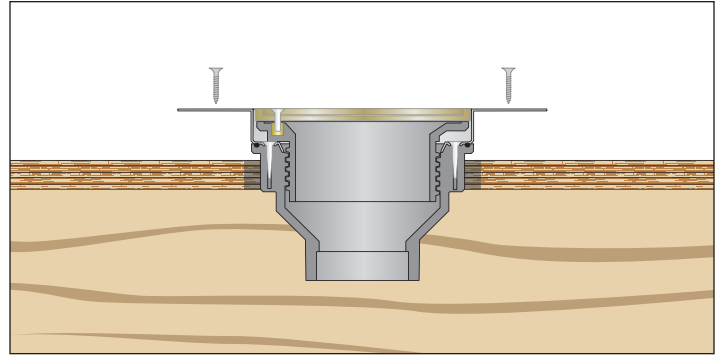
Problem



Solution



Blocking-up a standard drain (with wood or strut) from under the floor is difficult and time consuming, often requiring two people.

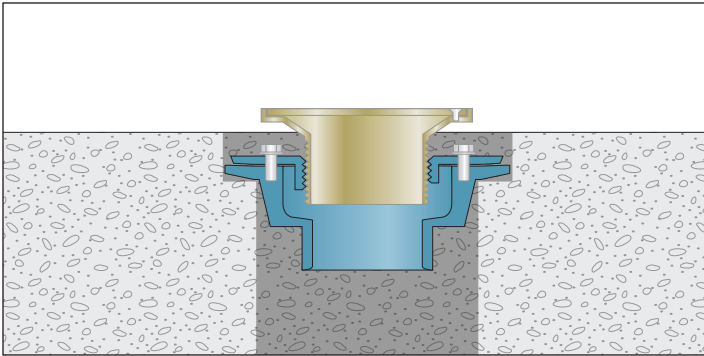


Installs easily from the top side of the floor. Cut a 6" hole, and secure with six screws or nails.

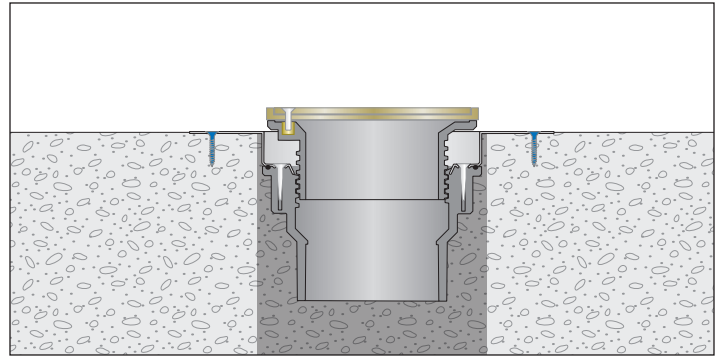
Problem



Solution

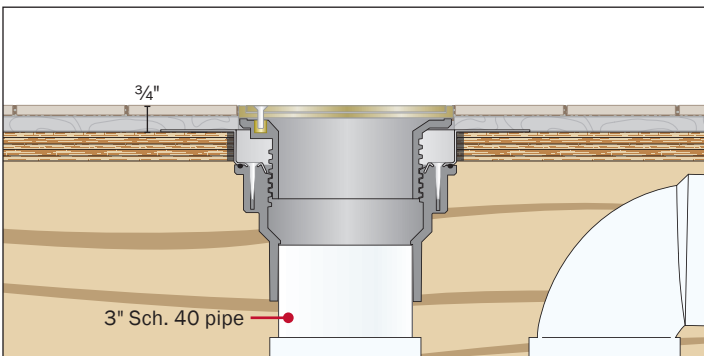


Standard drains require a more costly double-core in concrete slabs.

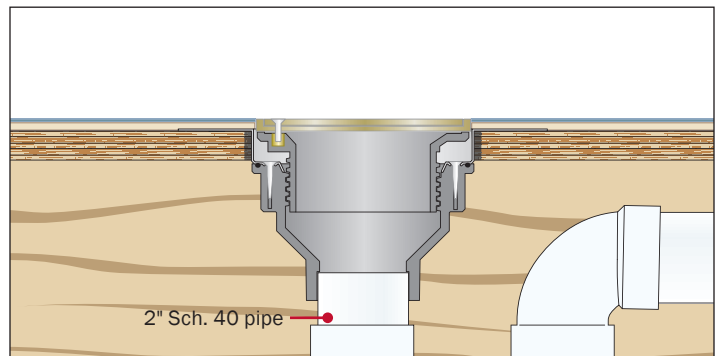


The Halo drain installs easily in a 6" cored hole.

## Unique Design Provides Versatility



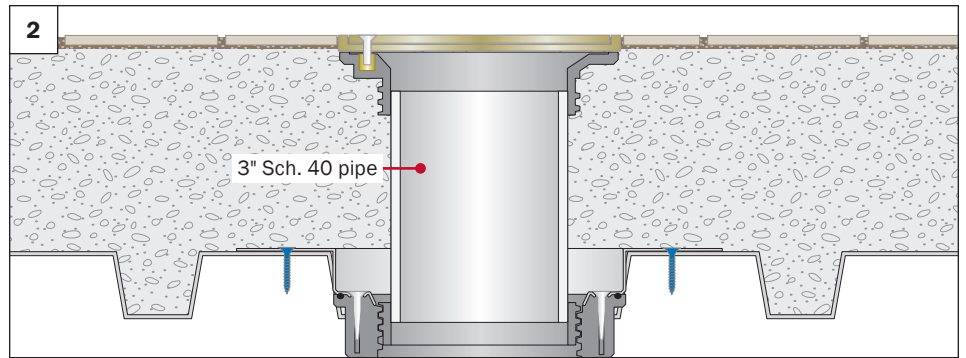
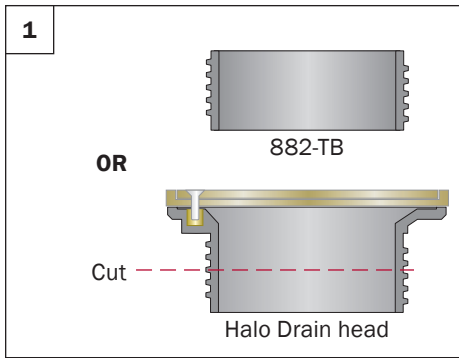
Adjustment up to  $\frac{3}{4}$ " possible for applications using cement board or lightweight concrete and tile. Most 3" traps will fit in a 12" joist cavity.



Minimal up-adjustment needed for thin flooring like vinyl or linoleum. Most 2" traps will fit in a 10" joist cavity.

## Extending the Head Adapter

for Deeper Slab Pours

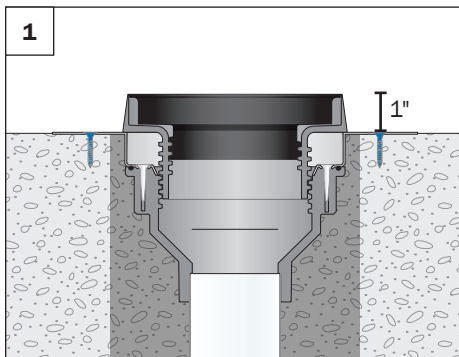


To extend the Halo Drain head adapter, use the 882-TB or cut the Halo Drain head in half across the threads.

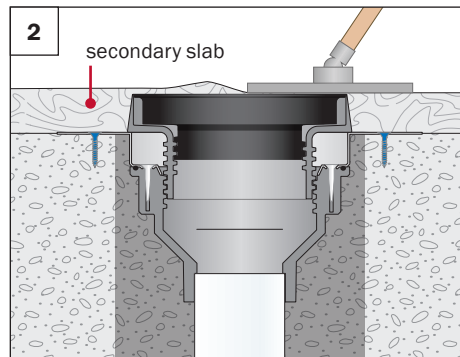
Glue a measured length of 3" Sch. 40 pipe between the thread bushing and the Halo Drain head, or between the two halves of the cut head with solvent cement.

## Finish Line Option

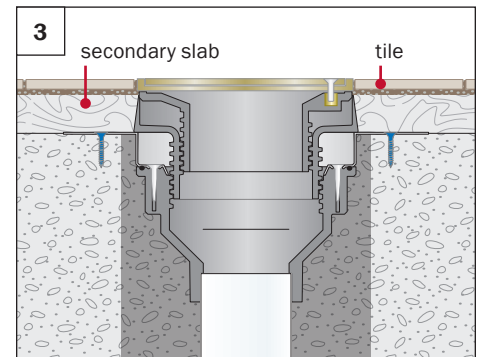
for Secondary Slab Pours



When using lightweight concrete or secondary slabs, the Finish Line option allows adjustment after the pour. Core a 6" hole and the Finish Line plug/sleeve assembly sets 1" above deck.



Finish concrete flush with top surface of plug/sleeve assembly.

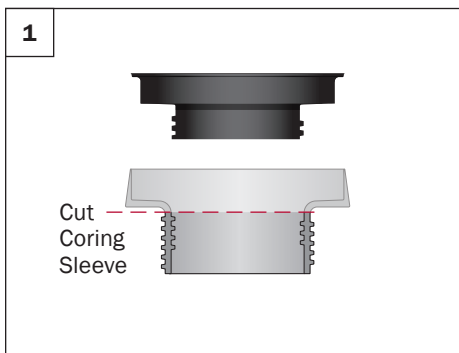


Remove the Coring Plug and replace with the finish drain fixture when flooring is installed. Fixture can be adjusted up to another 1" AFTER the secondary pour.

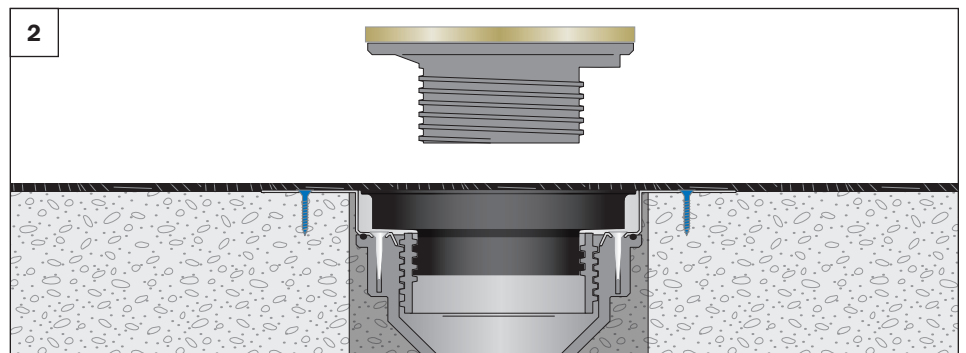
## Finish Line Option

with Flush Coring Plug

for Epoxy Floors or Sprayed-On Water-Proofing Installations



For applications that require the Coring Plug to be flush with the flange, cut the Coring Sleeve at the top of the threads and remove the "bowl" portion.



Thread the Coring Plug into the sleeve and thread the sleeve into the Halo Drain body. The plug protects the body during epoxy or water-proofing application. Afterward, the plug can be removed and replaced with the finish fixture, which will thread into the sleeve.



## Halo Drain



822-3PNR

PVC Item No.	ABS Item No.	Connection	Strainer	Pkg	Min. Qty	Case Qty	List Price
822-2PNR	822-2ANR	2" x 3"	round nickel-bronze	B*	1	4	47.50 EA
822-2PNQ	822-2ANQ	2" x 3"	square nickel-bronze	B*	1	4	62.50 EA
822-3PNR	822-3ANR	3" x 4"	round nickel-bronze	B*	1	4	48.50 EA
822-3PNQ	822-3ANQ	3" x 4"	square nickel-bronze	B*	1	4	63.50 EA
822-2PS	822-2AS	2" x 3"	round 18-gauge stainless steel	B*	1	4	25.00 EA
822-3PS	822-3AS	3" x 4"	round 18-gauge stainless steel	B*	1	4	26.00 EA

## Finish Line Halo Drain



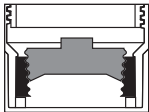
822-3PF

832-3HNR

PVC Item No.	ABS Item No.	Connection	Strainer	Pkg	Min. Qty	Case Qty	List Price
<b>FINISH LINE HALO ROUGH-IN DRAIN</b>							
822-2PF	822-2AF	2" x 3"	none (coring plug)	B*	1	1	35.00 EA
822-3PF	822-3AF	3" x 4"	none (coring plug)	B*	1	1	36.00 EA
<b>FINISH LINE HALO DRAIN FINISH FIXTURE</b>							
832-3HNR		—	round nickel-bronze	B*	1	10	33.00 EA
832-3HNQ		—	square nickel-bronze	B*	1	10	48.00 EA
832-3HS		—	round 18-gauge stainless steel	B*	1	1	16.00 EA
<b>FINISH LINE HALO DRAIN COMPLETE ASSEMBLY</b>							
822-F2PNR	822-F2ANR	2" x 3"	round nickel-bronze	B*	1	1	68.00 EA
822-F2PNQ	822-F2ANQ	2" x 3"	square nickel-bronze	B*	1	1	83.00 EA
822-F2PS	822-F2AS	2" x 3"	round 18-gauge stainless steel	B*	1	1	51.00 EA
822-F3PNR	822-F3ANR	3" x 4"	round nickel-bronze	B*	1	1	69.00 EA
822-F3PNQ	822-F3ANQ	3" x 4"	square nickel-bronze	B*	1	1	84.00 EA
822-F3PS	822-F3AS	3" x 4"	round 18-gauge stainless steel	B*	1	1	52.00 EA



822-C4PNR



Halo cleanouts use ETCO style plugs (included)

## Halo Cleanout

PVC Item No.	ABS Item No.	Connection	Cover	Pkg	Min. Qty	Case Qty	List Price
822-C3PNR	822-C3ANR	3" hub	round nickel-bronze	B*	1	1	69.50 EA
822-C4PNR	822-C4ANR	inside 4" †	round nickel-bronze	B*	1	1	84.50 EA

† The inside diameter of pipe can vary significantly. The 4" connection is designed to fit into most, but may not fit all types of pipe.



832-S3

863-FA

822-TB

## Accessories

### for Halo Drain

Item No.	Description	Pkg	Min. Qty	Case Qty	List Price
822-TB	Thread bushing for Halo head	B	1	1	7.25 EA
863-FA	Round aluminum condensate funnel with screws	B*	1	5	30.00 EA
863-FN	Round nickel condensate funnel with screws	B*	1	5	65.00 EA
832-S3	Shim kit for Finish Line Halo: two shims, two 3/4" screws	B*	1	10	5.00 EA

Packaging Codes || B: bulk \*: individually bar-coded

**DISTRIBUTED BY**

24110 South Peculiar Drive  
 Peculiar, Missouri 64078  
 tel: 1-800-821-3944  
 fax: 1-800-758-5950  
 www.siouxchief.com

