

ADJUSTABLE FLOOR DRAIN WITH DECK FLANGE

» 822 SERIES

Halo™

ITEM # SUBMITTED	_____
JOB NAME	_____
LOCATION	_____
ENGINEER	_____
CONTRACTOR	_____
PO#	_____ TAG _____

SPECIFICATION

Sioux Chief 822 series adjustable floor drain shall be used where necessary in drainage systems. Floor drain shall have an 18 gauge stainless steel deck/mounting flange and ABS/PVC body with Sch. 40 hub connection. Floor drain shall allow adjustment of 3/4" above the deck flange. Strainer shall be heel-proof and meet applicable load requirements for intended use. Trap primer port shall be threaded 1/2" FIP for optional connection. Designed in accordance with ASME A112.6.3-2001.

MATERIALS

Ring/strainer: nickel-bronze, 301 stainless steel, 430 stainless steel

Head adapter: ABS

Deck flange: 18-gauge 430 stainless

Base adapter: ABS, PVC

STRAINER LOAD RATING

Nickel-bronze: 1,000 lbs. (light duty, pedestrian traffic)

Stainless steel: 2,000 lbs. (light duty, pedestrian traffic)

18GA Stainless steel: 500 lbs. (light duty, pedestrian traffic)

STRAINER FREE AREA

Round: 7.5 in² (22.75 GPM*)

Square: 12.75 in² (39 GPM*)

18GA: 5.75 in² (17.5 GPM*)

DIMENSIONS

A: Connection size**	2"×3" or 3"×4" Sch. 40 hub
B: Ring/strainer diameter	
round / square / 18GA	5 1/2" / 5 7/8" / 5 3/8"
C: Flange diameter	9 1/2"
D: Body diameter	5 7/8"
E: Body height	4 3/8"
F: Adjustable finish height***	
round / square / 18GA	0" - 3/4" / 5/16" - 3/4" / 0" - 1/2"

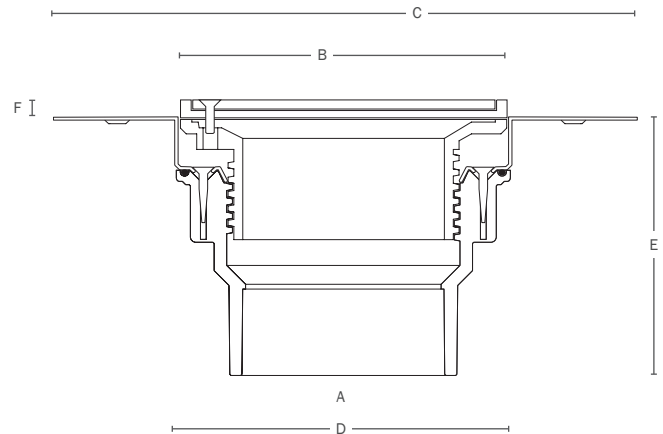
* indicates the flow rate of the strainer (not necessarily of the fixture) at 1/2" head

** Base adapters fit over 2" / inside 3" or over 3" / inside 4" pipe.

*** When using optional clamping collar, min dimension is 1/2" for cast ring/strainers



822-3PSQ



Create Item Number

822-ABCD

e.g. **822-3PNRV:** 3" Sch. 40 hub adjustable floor drain with deck flange and round nickel-bronze strainer with vandal-resistant screws

A: CLAMPING COLLAR

(skip this option if collar is not needed)

M = Clamping collar kit

(No collar is standard, unless otherwise specified)

B: CONNECTION

2A = 2" ABS Sch. 40 hub

2P = 2" PVC Sch. 40 hub

3A = 3" ABS Sch. 40 hub

3P = 3" PVC Sch. 40 hub

C: STRAINER TYPE

NR = Round nickel-bronze

SR = Round stainless steel

NQ = Square nickel-bronze

SQ = Square stainless steel

S = 18 gauge stainless steel¹

D: OPTIONS

V = Vandal-resistant strainer screws

B = Complied with Buy American Act²

E = 1 1/4" extended strainer rim²

ACCESSORIES

822-EX3 Threaded extension adapter. Extends head 1 3/4" (min) to 3 3/8" (max) above deck flange

822-TB Threaded bushing. Glues over 3" Sch. 40 when using pipe for head extension.

863-FN Round nik-brz condensate funnel

863-FA Round aluminum condensate funnel

¹ Drain head creates plastic rim around strainer

² Available only for round nickel-bronze ring/strainer

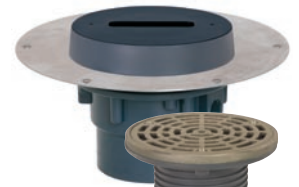
Halo Drain™

NEW

Adjustable Floor Drain with Deck Flange



For above-grade applications when a clamping collar is not necessary



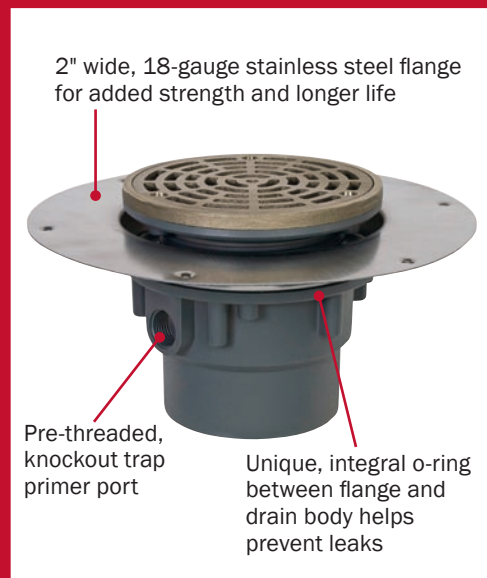
Finish Line Option



Cleanout Option



Accessories



• UNIQUE

Finish fixture adjusts up to $\frac{3}{4}$ " above flange to accommodate most flooring styles

Finish Line option allows for 1" of adjustment after the pour

• ADAPTABLE

Great for loft remodels, second floor utility rooms/ laundry rooms, wood or corrugated concrete decks, cored concrete floors, epoxy floors, or sprayed-on water-proofing installations

Outlet welds over 2" and inside 3", or over 3" and inside 4" pipe



Supply • Drainage • Support • Testing • Specialties • Tools • Access

Sioux Chief 
MANUFACTURING SINCE 1957

Installs Easier Than Existing Methods

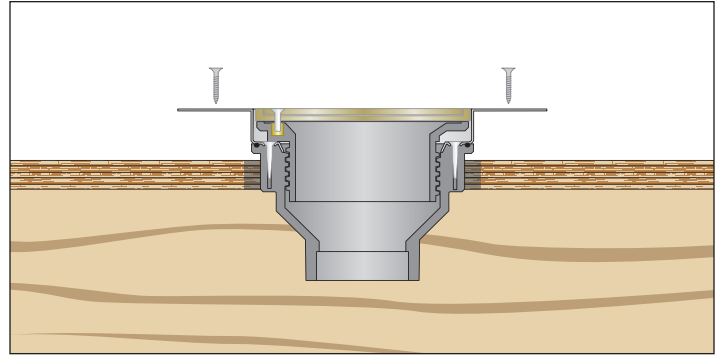
Problem



Solution



Blocking-up a standard drain (with wood or strut) from under the floor is difficult and time consuming, often requiring two people.

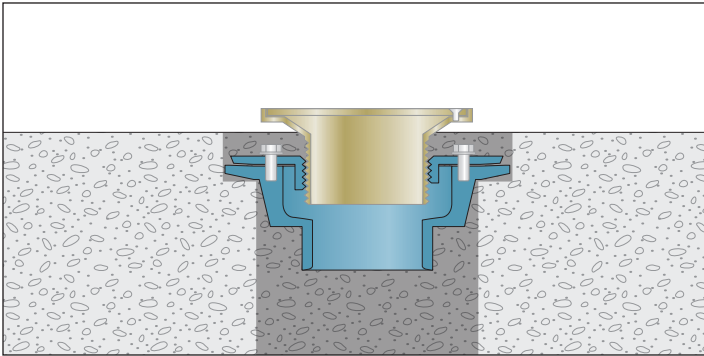


Installs easily from the top side of the floor. Cut a 6" hole, and secure with six screws or nails.

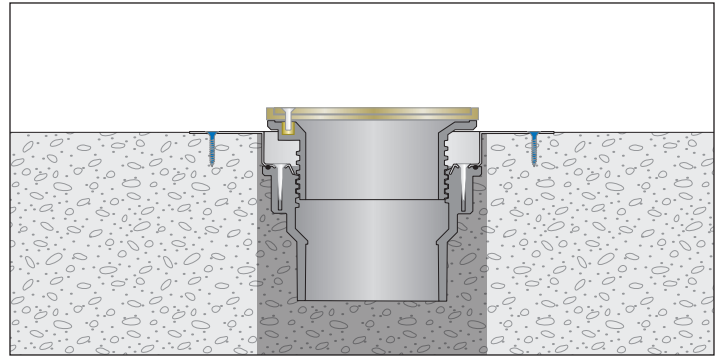
Problem



Solution

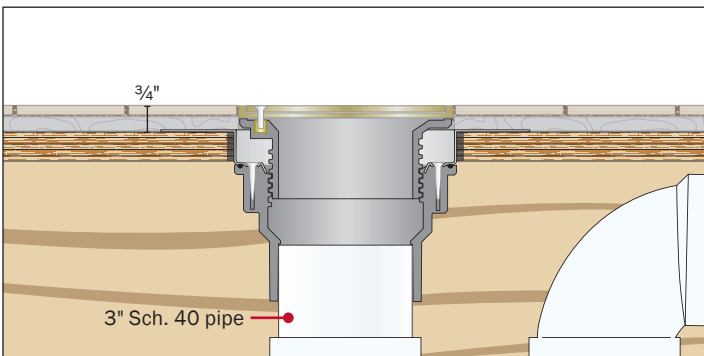


Standard drains require a more costly double-core in concrete slabs.

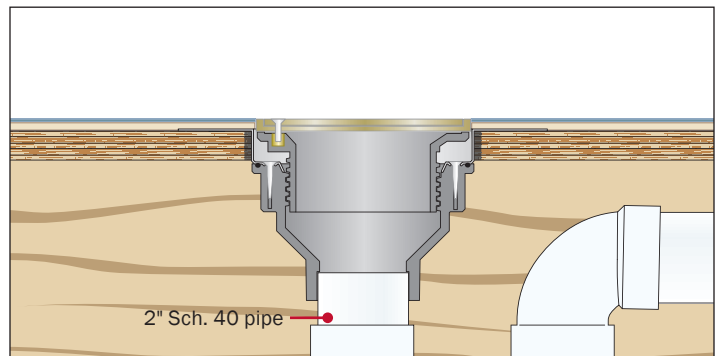


The Halo drain installs easily in a 6" cored hole.

Unique Design Provides Versatility



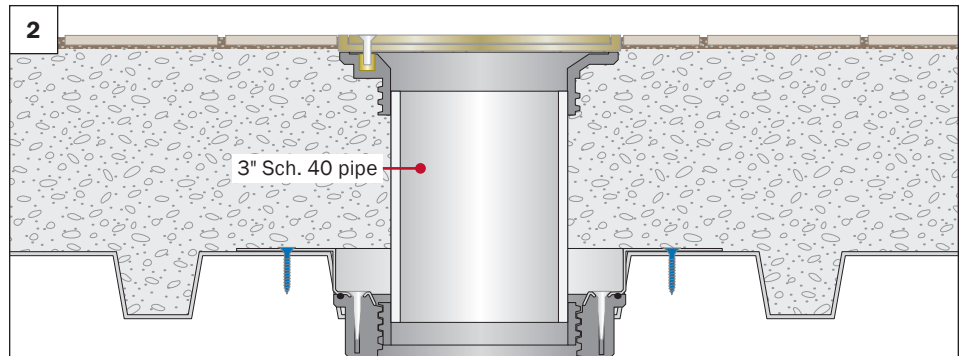
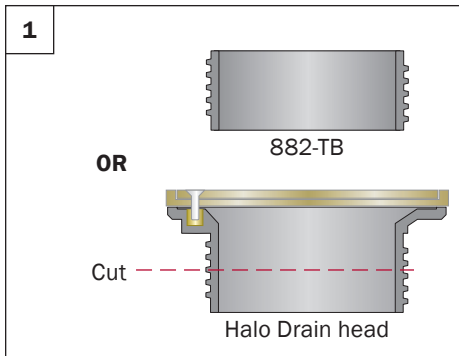
Adjustment up to $\frac{3}{4}$ " possible for applications using cement board or lightweight concrete and tile. Most 3" traps will fit in a 12" joist cavity.



Minimal up-adjustment needed for thin flooring like vinyl or linoleum. Most 2" traps will fit in a 10" joist cavity.

Extending the Head Adapter

for Deeper Slab Pours

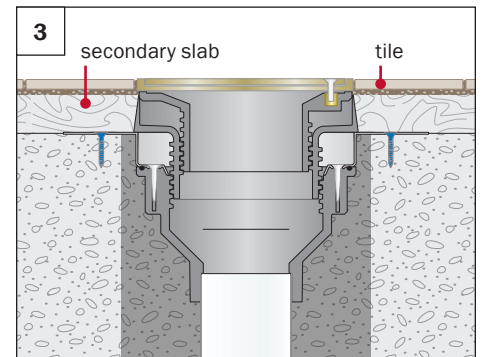
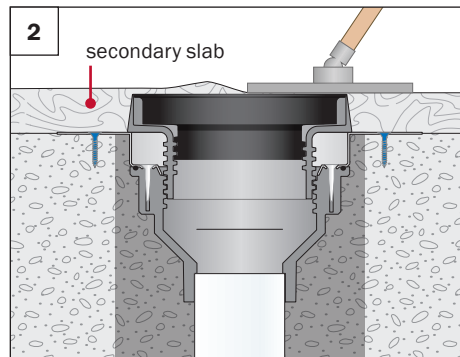
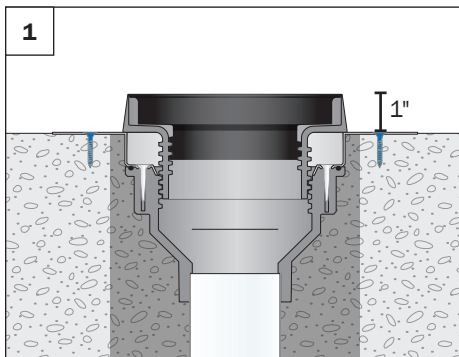


To extend the Halo Drain head adapter, use the 882-TB or cut the Halo Drain head in half across the threads.

Glue a measured length of 3" Sch. 40 pipe between the thread bushing and the Halo Drain head, or between the two halves of the cut head with solvent cement.

Finish Line Option

for Secondary Slab Pours



When using lightweight concrete or secondary slabs, the Finish Line option allows adjustment after the pour. Core a 6" hole and the Finish Line plug/sleeve assembly sets 1" above deck.

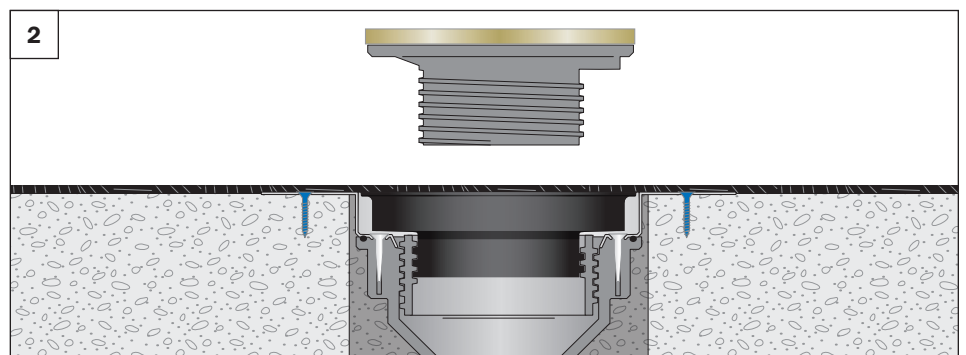
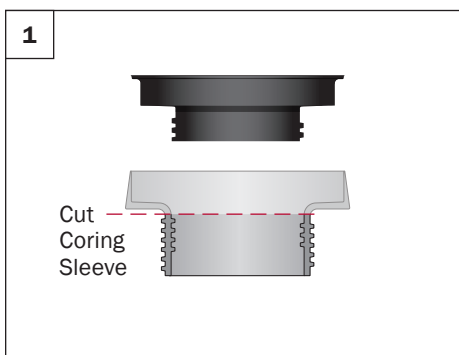
Finish concrete flush with top surface of plug/sleeve assembly.

Remove the Coring Plug and replace with the finish drain fixture when flooring is installed. Fixture can be adjusted up to another 1" AFTER the secondary pour.

Finish Line Option

with Flush Coring Plug

for Epoxy Floors or Sprayed-On Water-Proofing Installations



For applications that require the Coring Plug to be flush with the flange, cut the Coring Sleeve at the top of the threads and remove the "bowl" portion.

Thread the Coring Plug into the sleeve and thread the sleeve into the Halo Drain body. The plug protects the body during epoxy or water-proofing application. Afterward, the plug can be removed and replaced with the finish fixture, which will thread into the sleeve.

Halo Drain



822-3PNR

PVC Item No.	ABS Item No.	Connection	Strainer	Pkg	Min. Qty	Case Qty	List Price
822-2PNR	822-2ANR	2" x 3"	round nickel-bronze	B*	1	4	47.50 EA
822-2PNQ	822-2ANQ	2" x 3"	square nickel-bronze	B*	1	4	62.50 EA
822-3PNR	822-3ANR	3" x 4"	round nickel-bronze	B*	1	4	48.50 EA
822-3PNQ	822-3ANQ	3" x 4"	square nickel-bronze	B*	1	4	63.50 EA
822-2PS	822-2AS	2" x 3"	round 18-gauge stainless steel	B*	1	4	25.00 EA
822-3PS	822-3AS	3" x 4"	round 18-gauge stainless steel	B*	1	4	26.00 EA

Finish Line Halo Drain



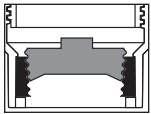
822-3PF

832-3HNR

PVC Item No.	ABS Item No.	Connection	Strainer	Pkg	Min. Qty	Case Qty	List Price
FINISH LINE HALO ROUGH-IN DRAIN							
822-2PF	822-2AF	2" x 3"	none (coring plug)	B*	1	1	35.00 EA
822-3PF	822-3AF	3" x 4"	none (coring plug)	B*	1	1	36.00 EA
FINISH LINE HALO DRAIN FINISH FIXTURE							
832-3HNR	—	—	round nickel-bronze	B*	1	10	33.00 EA
832-3HNQ	—	—	square nickel-bronze	B*	1	10	48.00 EA
832-3HS	—	—	round 18-gauge stainless steel	B*	1	1	16.00 EA
FINISH LINE HALO DRAIN COMPLETE ASSEMBLY							
822-F2PNR	822-F2ANR	2" x 3"	round nickel-bronze	B*	1	1	68.00 EA
822-F2PNQ	822-F2ANQ	2" x 3"	square nickel-bronze	B*	1	1	83.00 EA
822-F2PS	822-F2AS	2" x 3"	round 18-gauge stainless steel	B*	1	1	51.00 EA
822-F3PNR	822-F3ANR	3" x 4"	round nickel-bronze	B*	1	1	69.00 EA
822-F3PNQ	822-F3ANQ	3" x 4"	square nickel-bronze	B*	1	1	84.00 EA
822-F3PS	822-F3AS	3" x 4"	round 18-gauge stainless steel	B*	1	1	52.00 EA



822-C4PNR



Halo cleanouts use ETCO style plugs (included)

Halo Cleanout

PVC Item No.	ABS Item No.	Connection	Cover	Pkg	Min. Qty	Case Qty	List Price
822-C3PNR	822-C3ANR	3" hub	round nickel-bronze	B*	1	1	69.50 EA
822-C4PNR	822-C4ANR	inside 4" †	round nickel-bronze	B*	1	1	84.50 EA

† The inside diameter of pipe can vary significantly. The 4" connection is designed to fit into most, but may not fit all types of pipe.



832-S3

863-FA

822-TB

Accessories

for Halo Drain

Item No.	Description	Pkg	Min. Qty	Case Qty	List Price
822-TB	Thread bushing for Halo head	B	1	1	7.25 EA
863-FA	Round aluminum condensate funnel with screws	B*	1	5	30.00 EA
863-FN	Round nickel condensate funnel with screws	B*	1	5	65.00 EA
832-S3	Shim kit for Finish Line Halo: two shims, two 3/4" screws	B*	1	10	5.00 EA

Packaging Codes || B: bulk *: individually bar-coded

DISTRIBUTED BY

24110 South Peculiar Drive
 Peculiar, Missouri 64078
 tel: 1-800-821-3944
 fax: 1-800-758-5950
 www.siouxchief.com

