

# COMPACT WASHING MACHINE OUTLET BOX

696 SERIES

OxBox ONE™

## SPECIFICATION

Sioux Chief 696 OxBox ONE™ compact, single outlet box shall be used in residential or commercial plumbing supply/drainage systems. Unit shall accommodate supply lines from above. Unit is designed to be secured directly to vertical stud or between studs using galvanized bracket (provided). Supply box options shall include 1/4-turn ball valves with or without water hammer arresters. Valve options shall accommodate all common industry inlet connections with 2" DWV drain connection that shall include 5/8" integral test nipple with knock out. Outlet connections shall be 3/4". Every unit shall include debris cover for protection during rough-in.

## INSTALLATION

Secure box directly to vertical stud using mounting tabs located on side of box or insert bracket through molded channel then secure bracket to structure.

## MATERIALS

- Outlet box:** ABS
- Frame:** fire-rated ABS
- Valve body:** chrome-plated forged brass
- Arrester clip/valve platform:** ABS
- Arrester body:** stainless steel
- Piston:** glass-filled polypropylene with two EPDM o-rings
- Bracket:** galvanized steel, 18-ga.

## CERTIFICATIONS/APPROVALS

NSF-372 compliant, IAPMO listed  
Valves meet ASME A112.18.1

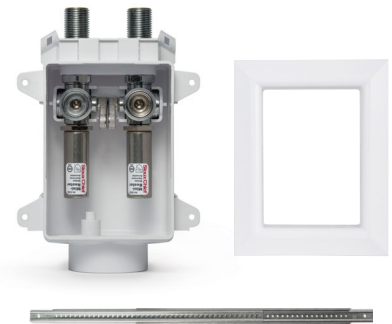
## VALVE/ARRESTER WORKING LIMITS

- Max working temperature:** 250°F
- Max testing air pressure:** 100 PSIG
- Max working/testing water pressure:** 250 PSIG

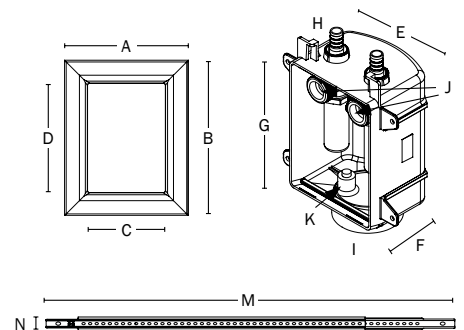
## DIMENSIONS

<b>A:</b>	frame width	5 3/4"
<b>B:</b>	frame height	7 1/4"
<b>C:</b>	frame opening width	3 5/8"
<b>D:</b>	frame opening height	5 1/8"
<b>E:</b>	rough-in box width	4" (single box)
<b>F:</b>	rough-in box depth	3 1/2"
<b>G:</b>	rough-in box height	5 1/2"
<b>H:</b>	supply connection	1/2" nominal or 2" O.C.
<b>I:</b>	drain connection	2" DWV
<b>J:</b>	outlet connection	3/4" male hose thread
<b>K:</b>	test nipple	5/8" O.D.
<b>M:</b>	bracket length	18"
<b>N:</b>	bracket width	5/8"

ITEM # SUBMITTED _____
JOB NAME _____
LOCATION _____
ENGINEER _____
CONTRACTOR _____
PO# _____ TAG _____



696-2413MF



### Create Item Number

## 696-A24B3CD

e.g. 696-2413MF: compact washing machine outlet with MIP/FSWT valves, 2" drain connection and frame

### VALVES A

- = plain valve
- G = no lead valves

### ARRESTER B

- 0 = no arrester
- 1 = with arrester

### SUPPLY CONNECTION C

- A = 1/2" PEX F2080 Lock™
- C = 1/2" male CPVC
- M = 1/2" female sweat
- V = 1/2" Viega PureFlow® PEX
- X = 1/2" PEX F1807 Crimp™

### FRAME OPTION D

- F = standard pack (supply box, frame, bracket, debris cover)
- R = rough-in pack (supply box, bracket, debris cover)

Available separately:  
Frame only: 696-1F