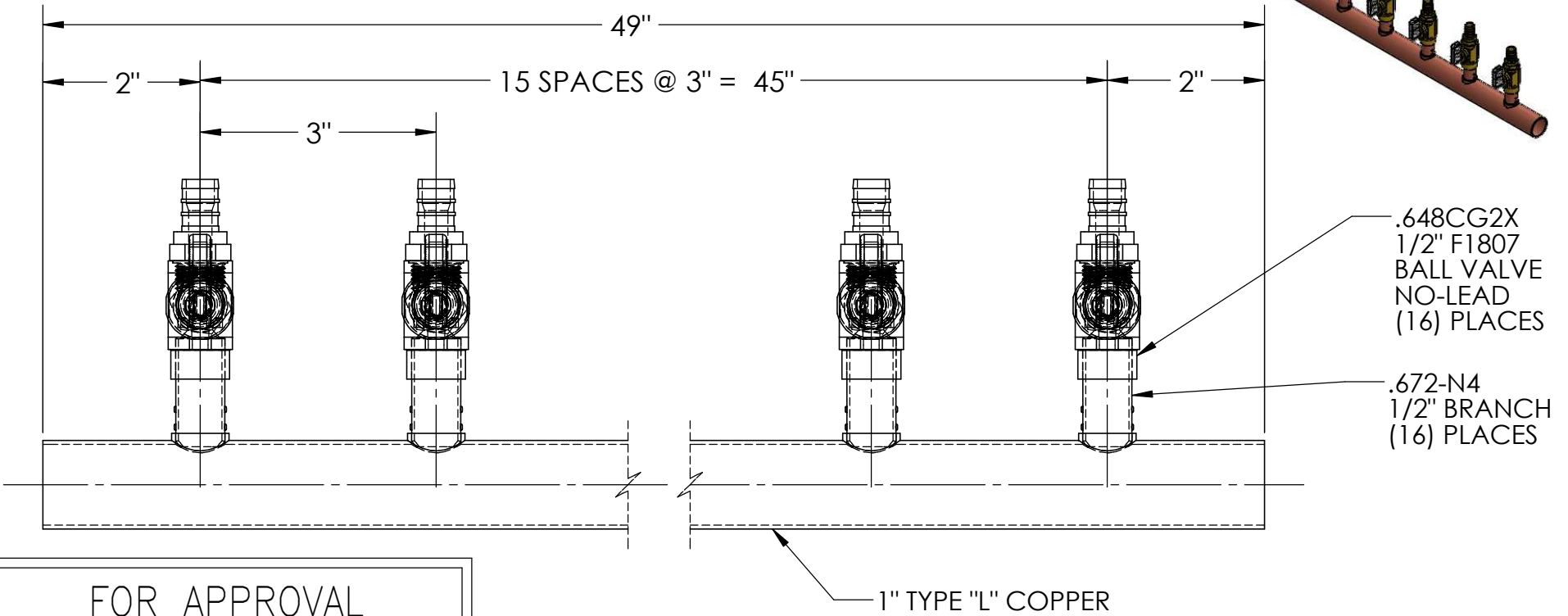
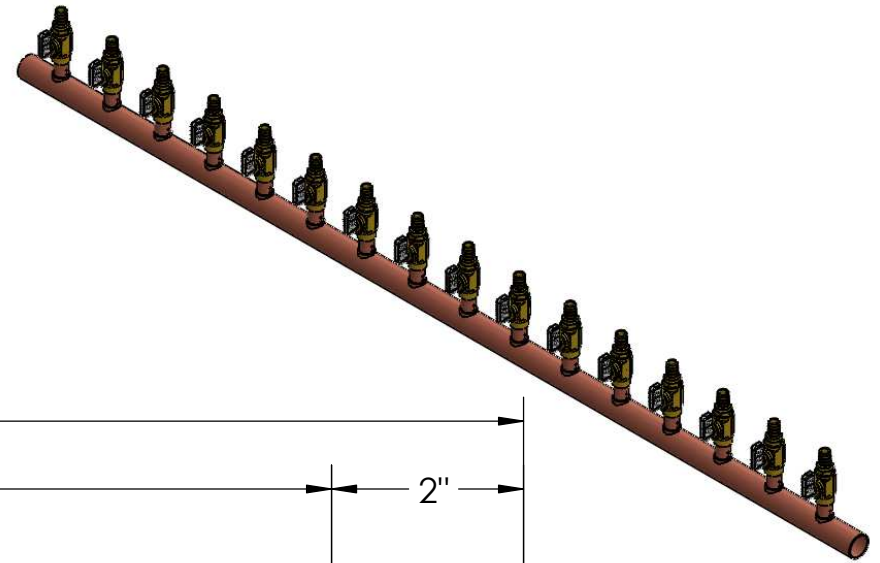


REV.	DESCRIPTION	CH REQ#	DATE	BY
				△

NOTES:

- 1) ALL BRANCHES ARE BRAZED.
- 2) ALL VALVES ARE SOLDERED.



FOR APPROVAL

- APPROVED
  - APPROVED WITH COMMENTS
  - RESUBMIT
- BY: \_\_\_\_\_
- DATE: \_\_\_\_\_

MATERIAL:		<h1>Sioux Chief Mfg.</h1>							
PART WEIGHT:				SCALE: 1:8	APPROVED BY:				
DIMENSIONAL TOLERANCES UNLESS OTHERWISE SPECIFIED:		DATE: 9/23/2019	DRAWN BY: OM						
<table border="1" style="width: 100%;"> <tr> <th>FRACTIONS</th> <th>INCHES</th> </tr> <tr> <td>LESS THAN 1' ± 1/16"</td> <td>2 PLACE ± .01</td> </tr> <tr> <td>1' - 30' ± 1/8"</td> <td>3 PLACE ± .005</td> </tr> </table>		FRACTIONS	INCHES	LESS THAN 1' ± 1/16"	2 PLACE ± .01	1' - 30' ± 1/8"	3 PLACE ± .005	TITLE: MANIFOLD 1" MS X MS W/ (16) 1/2" F1807 VALVE BRANCHES 3 CENTER	
FRACTIONS	INCHES								
LESS THAN 1' ± 1/16"	2 PLACE ± .01								
1' - 30' ± 1/8"	3 PLACE ± .005								
PROJECT:		DRAWING NO. 0672XV4L-1633-3							