

SPECIFICATIONS (USI-1180 & USI-1184)

- 1-1/2" or 2" plain end inlet and outlet connections.
- Liquid capacity: 1.2 Gallons
- Unit weight: 7 Pounds
- Max. operating temperature: 190°F continuous.

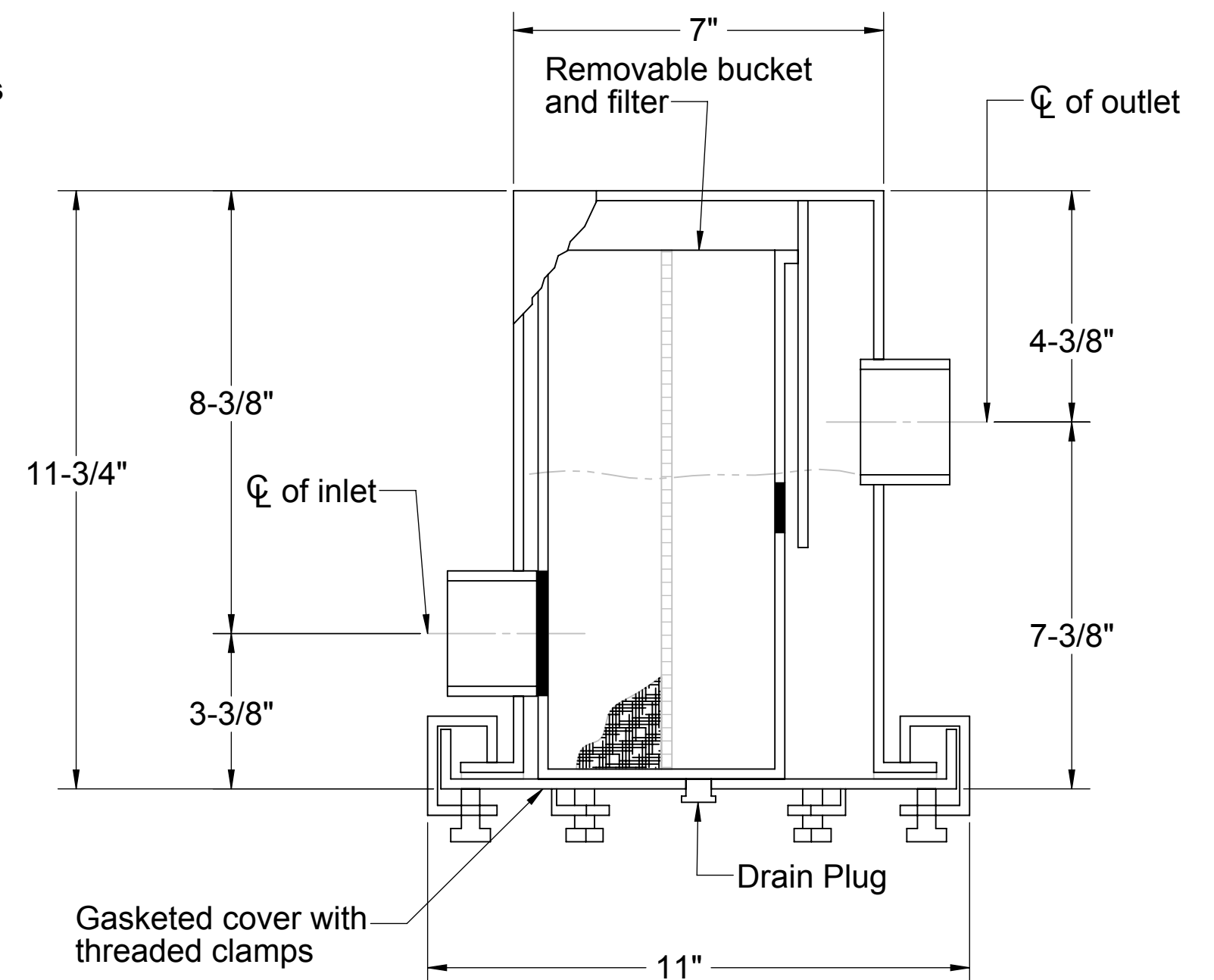
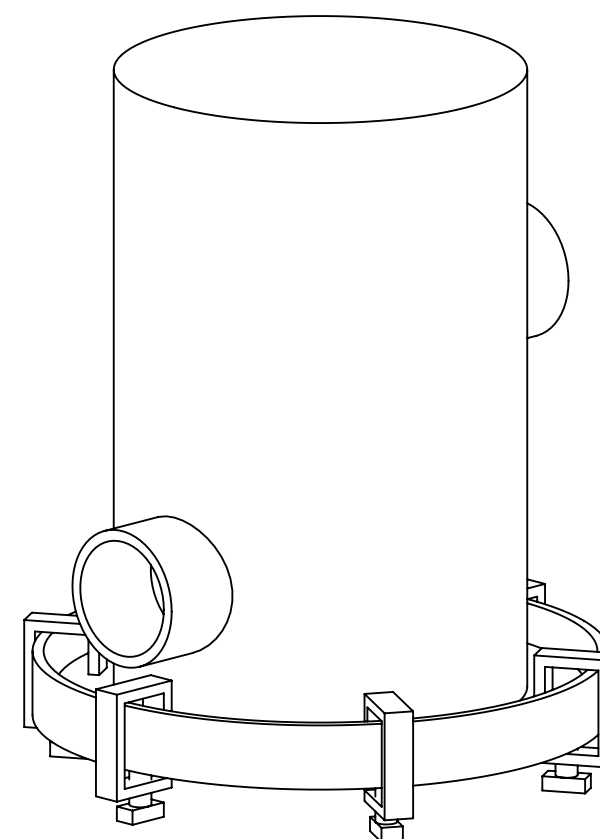
USI-1180-1 = 1-1/2" plain end connections
 USI-1180-2 = 2" plain end connections

NOTES

- For gravity drainage applications only. Do not use for pressure applications.
- 100% corrosion proof seamless polyethylene construction.
- Removable debris bucket with removable screen.
- Built-in sewer gas trap.
- Watertight up to 36" of head.

ENGINEER SPECIFICATION GUIDE

Striem solids Interceptor model USI-1180/1184 shall be lifetime guaranteed and Made in USA of seamless, rotationally-molded High Density Polyethylene with minimum 3/8" uniform wall thickness and removable polyethylene bucket and filter. Interceptor shall be watertight up to 36" head and contain internal sewer gas trap. Interceptor shall have gasketed cover with hand thread clamps.



USI-1184-1 = 1-1/2" plain end connections
 USI-1184-2 = 2" plain end connections

MODEL NUMBER: USI-1180/USI-1184

DESCRIPTION:

1.2 GALLON LIQUID HOLDING CAPACITY POINT OF USE POLYETHYLENE SOLIDS INTERCEPTOR

SPECIFICATION SHEET

Striem
 9500 Woodend Road
 Edwardsville, KS 66111
 Tel: 913-222-1500
 Fax: 913-951-3399
 www.striemco.com



Made in the U.S.A

DWG BY: RS DATE: 03/08/2016 REV: 0 ECO:

PROPRIETARY AND CONFIDENTIAL

THE INFORMATION CONTAINED IN THIS DRAWING IS THE SOLE PROPERTY OF STRIEM, LLC. ANY REPRODUCTION IN PART OR AS A WHOLE WITHOUT THE WRITTEN PERMISSION OF STRIEM, LLC. IS PROHIBITED.