

**SPECIFICATIONS (NT-30-B)**

1. 3" inlet and outlet connections, 2" vent connection.
2. Liquid holding capacity: 30 Gallons
3. Unit weight w/std. cover: 66 Pounds
4. 16,000 lb. load rated, bolted, gas/water tight composite covers.
5. Maximum operating temperature 190°F continuous.

**NOTES**

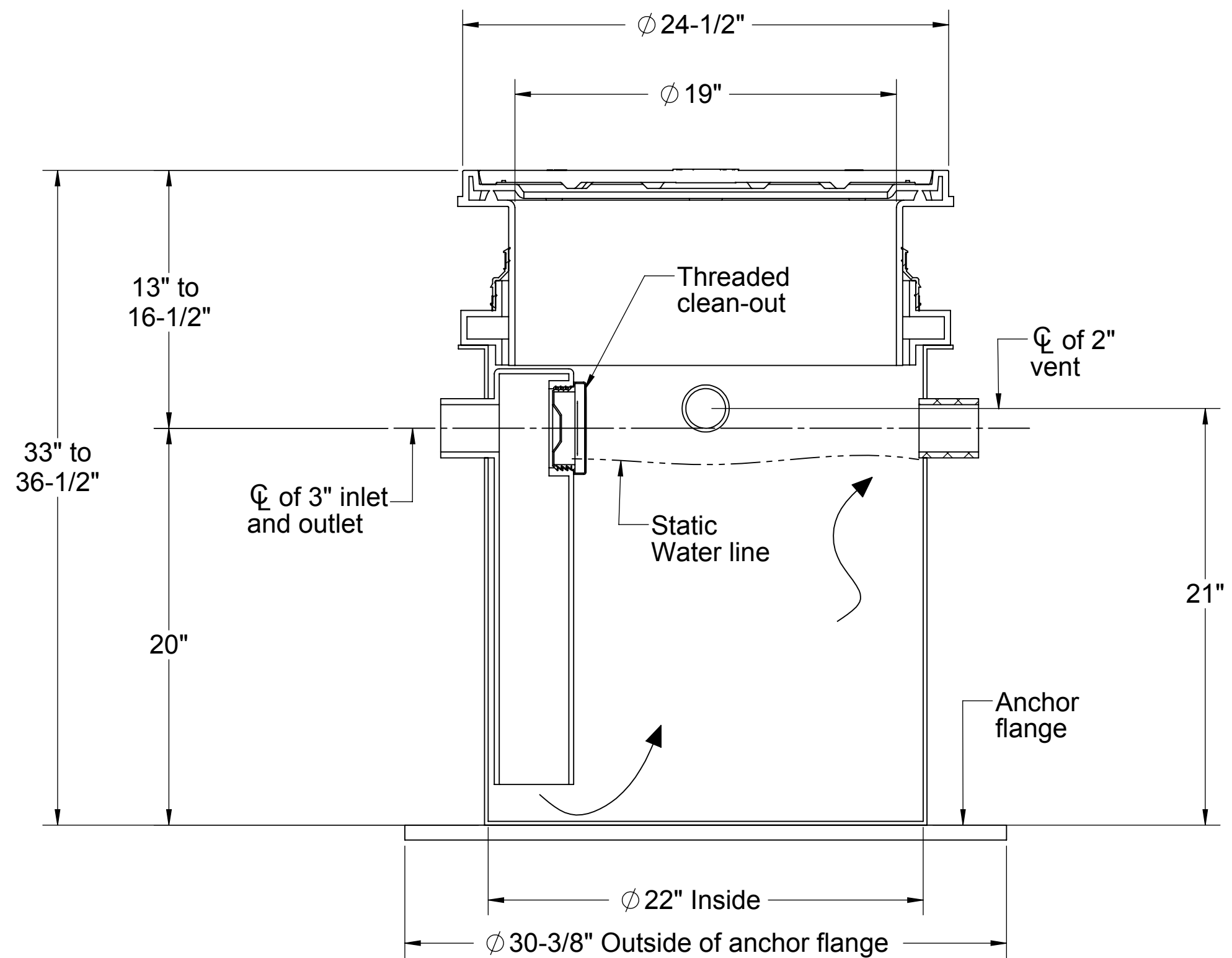
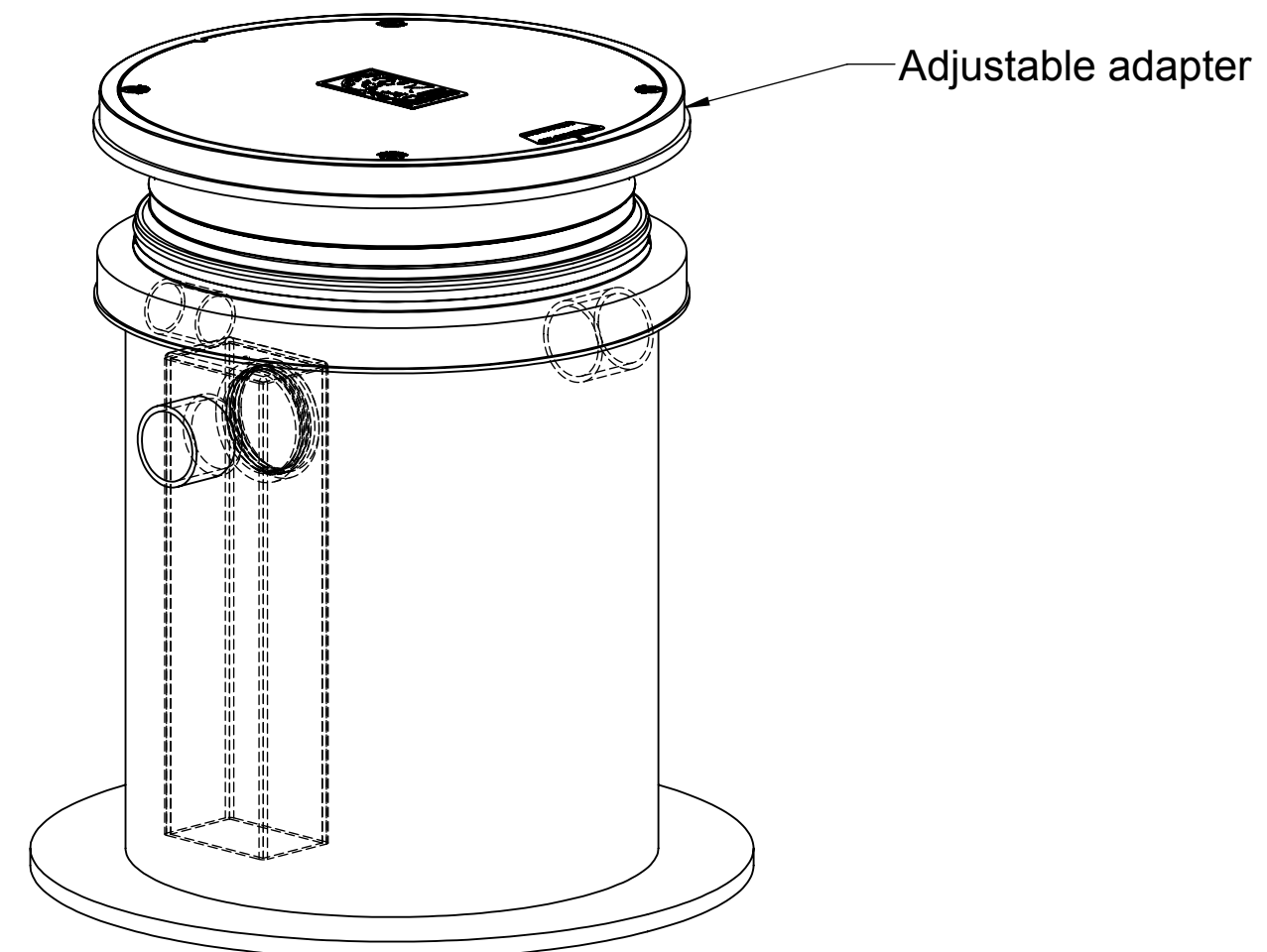
1. For gravity drainage applications only. Do not use for pressure applications.
2. 3/8" thick seamless high density polyethylene walls.
3. Unit supplied with built-in adapter for up to 3-1/2" of adjustability. Additional riser(s) are also available for deeper burial depth.
4. Cover placement allows full access to tank for proper maintenance.
5. Unit for below grade installation.

**ENGINEER SPECIFICATION GUIDE**

Striem NT Series neutralization tank model NT-30-B shall be lifetime guaranteed and Made in USA of seamless, rotationally-molded High Density Polyethylene or Polypropylene with minimum 3/8" uniform wall thickness. Tank shall be furnished with inlets, outlets, vents, cover, bracing, riser system, monitoring equipment and other modifications per jobsite-specific conditions and per engineer's specification.

**OPTIONS:**

- Teleglide field adjustable risers for extending covers to grade
- Seamless polyethylene tank material
- Seamless polypropylene tank material
- Plain end connections available in 1-1/2", 2", 3", 4" and 6" pipe size
- Female pipe thread connections available in 1-1/2", 2", 3" and 4" pipe size.
- Flanged pipe connections available in 1-1/2", 2", 3", 4" and 6" pipe size
- 90%+ calcium carbonate limestone



<b>MODEL NUMBER:</b> NT-30-B	
<b>DESCRIPTION:</b> BELOW GRADE CHEMICAL WASTE TANK 30 GALLON LIQUID HOLDING CAPACITY	
<b>DWG BY:</b> RS	<b>DATE:</b> 5/25/17
<b>REV:</b> 0	<b>ECO:</b>

**SPECIFICATION SHEET**

**Striem**  
9500 Woodend Road  
Edwardsville, KS 66111  
Tel: 913-222-1500  
Fax: 913-951-3399  
www.striemco.com



Made in the U.S.A

PROPRIETARY AND CONFIDENTIAL

THE INFORMATION CONTAINED IN THIS DRAWING IS THE SOLE PROPERTY OF STRIEM, LLC. ANY REPRODUCTION IN PART OR AS A WHOLE WITHOUT THE WRITTEN PERMISSION OF STRIEM, LLC. IS PROHIBITED.