

SPECIFICATIONS

1. 4" inlet/outlet Sch. 40. Plain End(No-Hub)
2. Liquid capacity: 275 Gallons (36.8 cu ft)
3. Flammable Liquid capacity: 141.4 gallons
4. Sand capacity : 116.5 gallons
5. Unit weight w/std. covers: 230 lbs.
6. Maximum operating temperature 190°F continuous.
7. Highway rated cover: 16,000 lb. capacity.
8. Seamless molded polyethylene tank.

NOTES

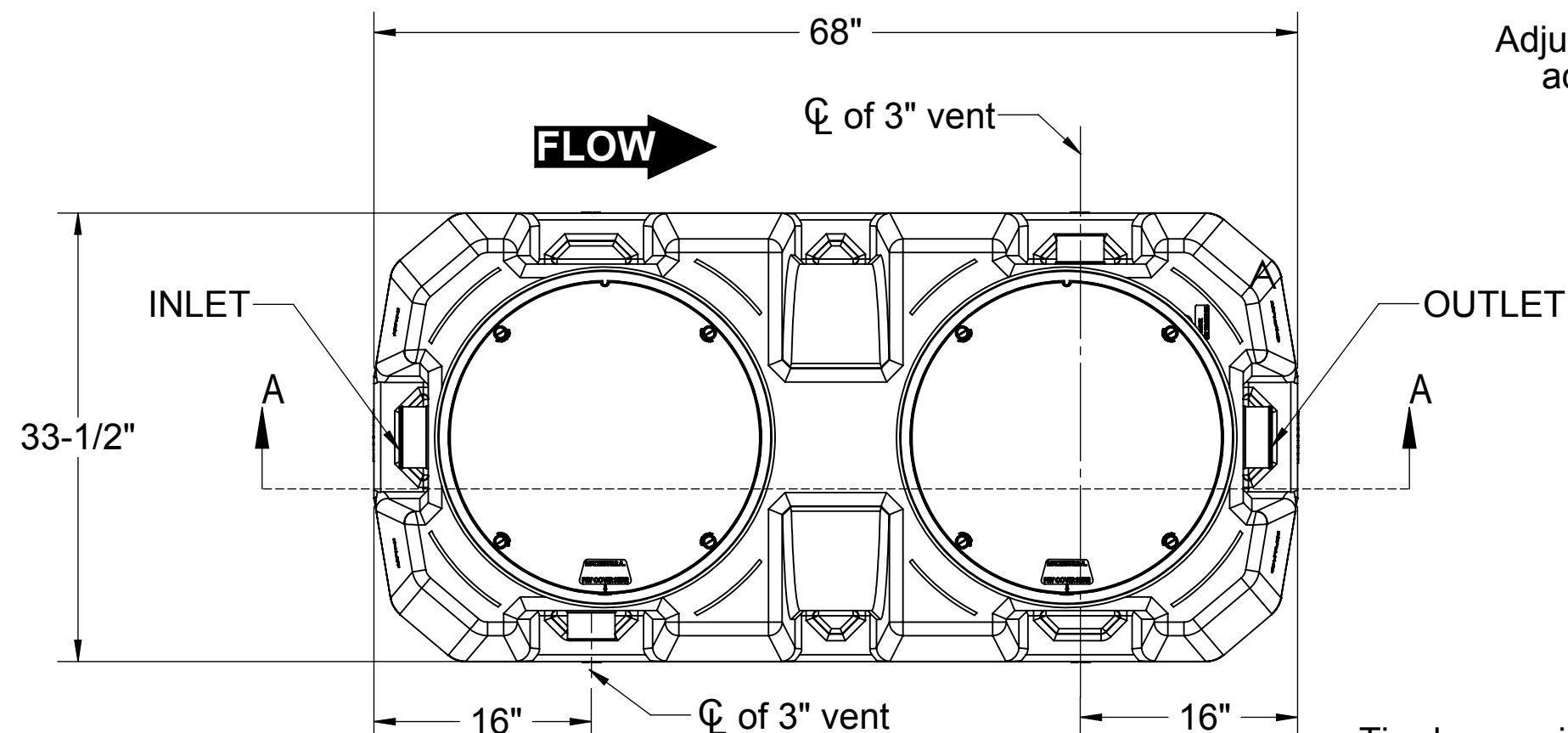
1. For gravity drainage applications only. Do not use for pressure applications.
2. Seamless high density polyethylene tank.
3. Unit supplied with built-in adapters for up to 6" of adjustability. Additional riser(s) available for deeper burial depth.
4. Cover placement allows full access to tank for proper maintenance.
5. Narrow footprint allows clearance through doorways and down stairwells.
6. Outlet diptube is removable to inspect/clean piping.
7. For on the-floor or buried applications.

ENGINEER SPECIFICATION GUIDE

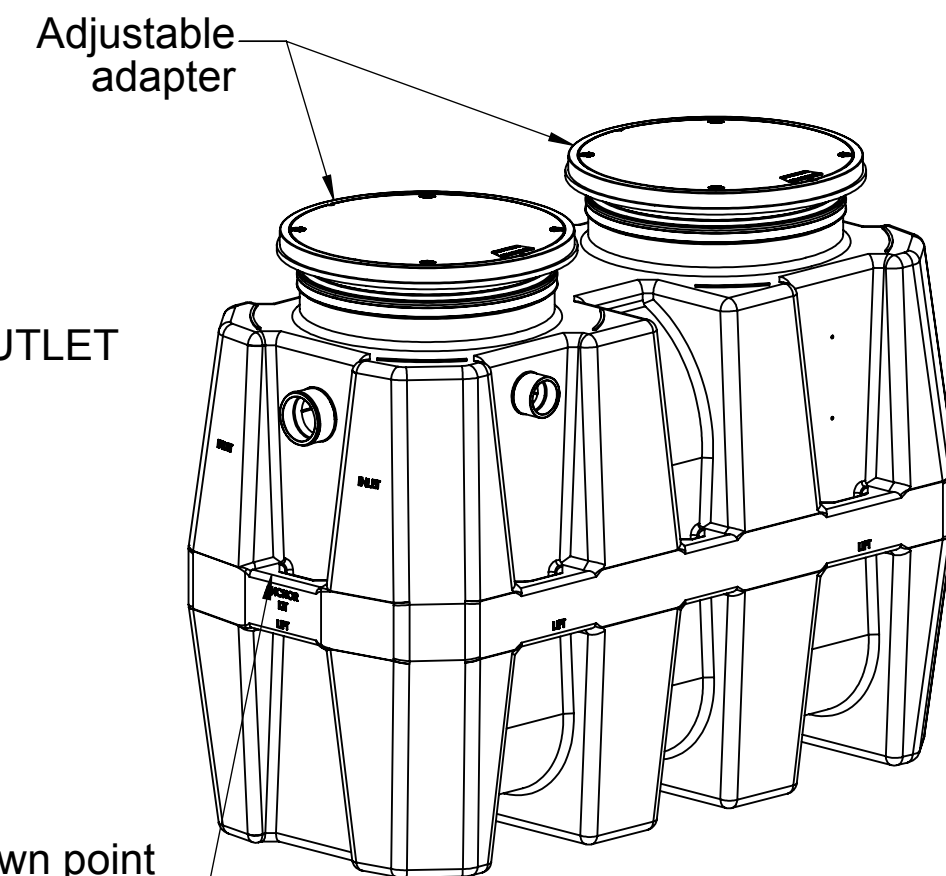
Striem Flammable Liquid Interceptor Model FLI-275 shall be lifetime guaranteed and made in the USA of seamless, rotationally-molded High Density Polyethylene. Interceptor shall be furnished for above or below grade installation, with field adjustable riser system, and vent connections. Interceptor capacity shall be 141.4 gallons of flammable liquids and 116.5 gallons of sediment. Cover shall provide water/gas-tight seal and have minimum 16,000 lbs load capacity.

OPTIONS:

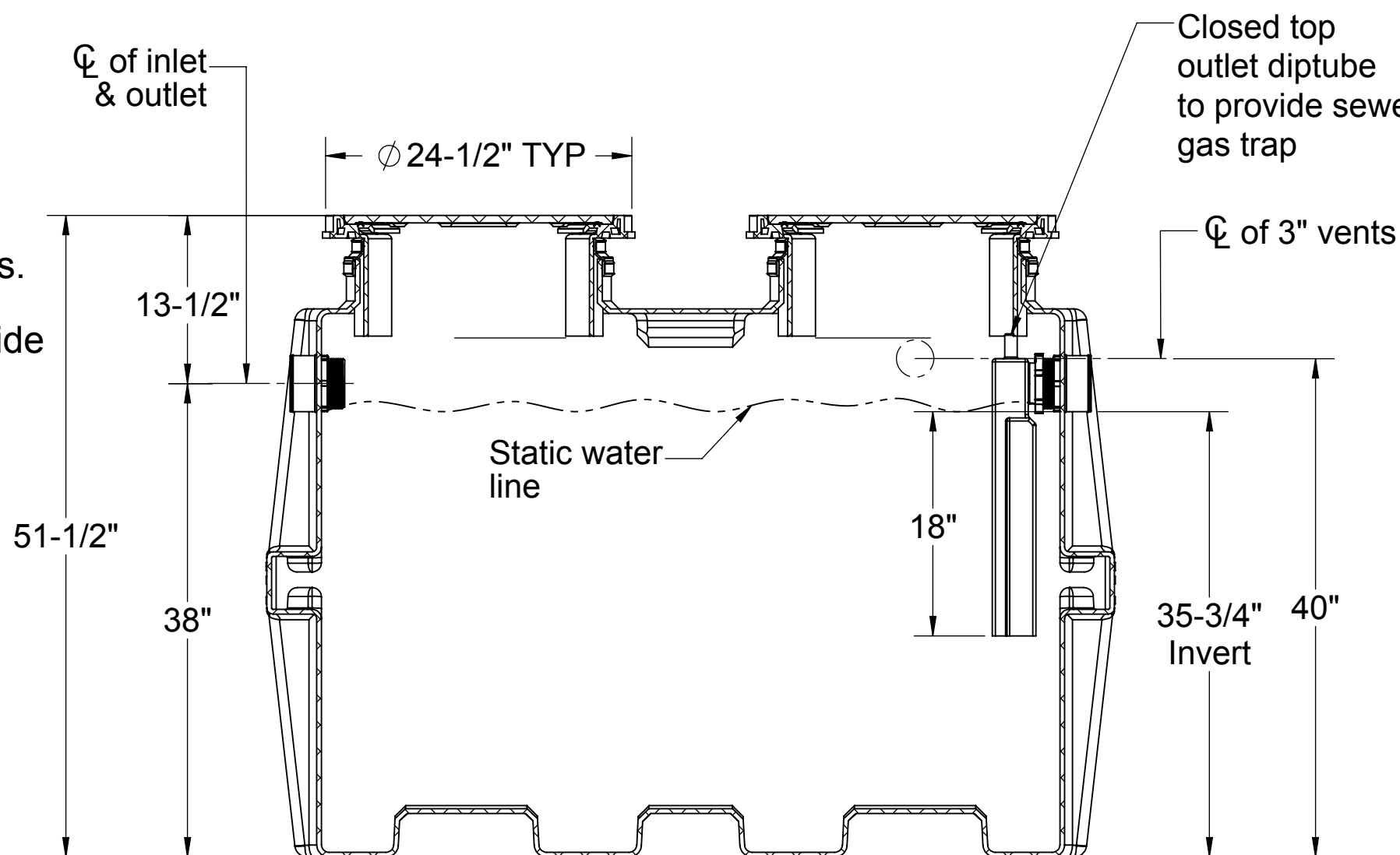
- H2O Rated Cast Iron Covers
- Pedestrian rated cover: 2,000 lb capacity
- Teleglide field adjustable risers for extending covers to grade
- Male pipe thread connections
- 6" Plain end pipe connections (Inlet / Outlet Only)
- High water anchor kit
- Clean Sweep coalescing media



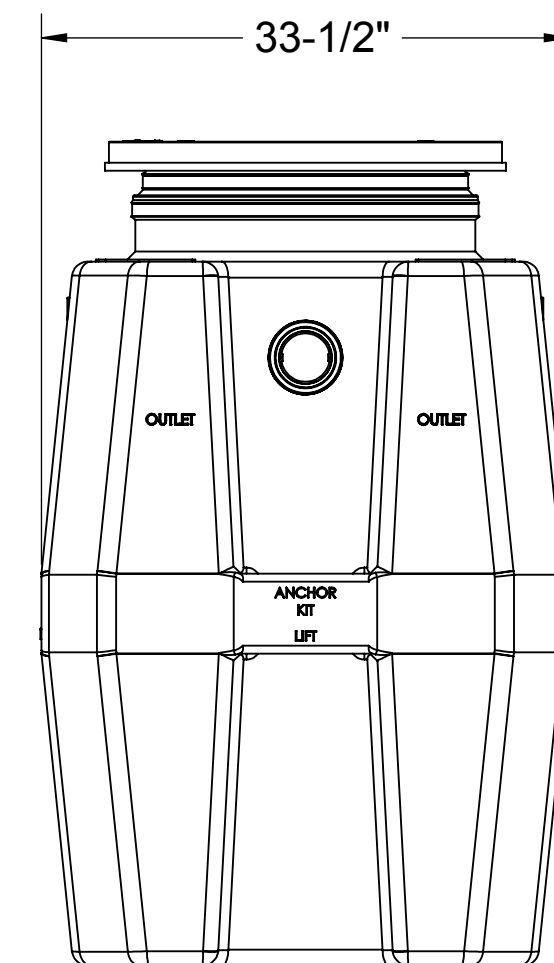
TOP VIEW



ISOMETRIC VIEW



SECTION "A-A"



OUTLET END VIEW

MODEL NUMBER: FLI-275	
DESCRIPTION: 275 GALLON POLYETHYLENE FLAMMABLE LIQUID INTERCEPTOR	
DWG BY: RS	DATE: 9/15/17
REV:	ECO:

SPECIFICATION SHEET

Striem
3100 Brinkerhoff
Kansas City, KS 66115
Tel: 913-222-1500
Fax: 913-291-0457
www.striemco.com

Made in the U.S.A



PROPRIETARY AND CONFIDENTIAL

THE INFORMATION CONTAINED IN THIS DRAWING IS THE SOLE PROPERTY OF STRIEM, LLC. ANY REPRODUCTION IN PART OR AS A WHOLE WITHOUT THE WRITTEN PERMISSION OF STRIEM, LLC. IS PROHIBITED.