

# TD-SILENT Technical Specifications



## Warranty

Five (5) year limited warranty.

## Range

The TD-SILENT consists of four (4) nominal sized in-line fans. All models are specifically designed for direct connection in-line with industry standard diameter round ducting.

## Construction

The TD-SILENT models 100XS (4" or 5"), 150S and 200S are manufactured in tough reinforced plastic. Sound waves are directed through the perforated inner skin and absorbed by a layer of sound-absorbent insulation. Plus the TD-SILENT is fitted with rubber gaskets on the inlet and outlet to absorb vibrations.

## Impellers

The impeller blades are molded in tough ABS plastic.

## Motors

### *Models 100XS:*

Single-phase, 120V 60Hz, shaded pole induction asynchronous motor in die cast aluminum. All motors include direct two speed connection and are also suitable for voltage speed control.

- Class I electrical insulation
- IP 44 Protection
- Class B Motor Insulation
- Safety auto reset Thermal Overload Protection (fuse type)
- Self-lubricating sleeve bearings.
- Suitable for working airstreams up to 104° F (40°C).

### *Models 150S and 200S:*

Single-phase induction asynchronous motor, with permanent capacitor and external rotor in die cast aluminum. All models include direct two speed connection and are also suitable for voltage speed control.

- Suitable for working airstreams up to 140° F (60°C).
- Class I electrical insulation
- IP 44 Protection
- Thermal Overload Protection
- Class B Motor Insulation
- Sealed For Life, ball bearings

## Code Approval

- All models have been independently safety tested by Underwriters Laboratories, Inc. and are UL and cUL Listed.
- Independently tested for Airflow Performance.
- The TD product range is certified by the Home Ventilating Institute (HVI) for Air Performance.
- All models are ENERGY STAR® qualified.
- All models are NAHB - National Green Building Green Approved.

# Air Performance

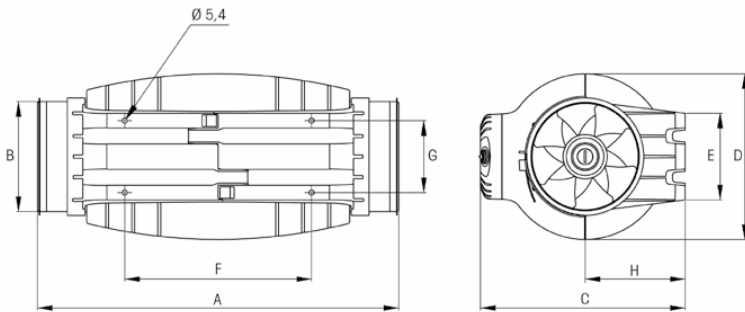
All models include a direct two speed motor connection.

Model	Duct Dia. Ins.	Nom. RPM	Volts	Max. Watts	Speed	CFM v Static Pressure (SP) Ins. WG							Max. SP	Max operating temp. (°F)	Wgt. (lbs)
						0"	0.125"	0.25"	0.375"	0.5"	0.75"	1.0"			
TD-100XS	4"	2000	120	21	LS	108	82	48	-	-	-	-	0.4	104	11.9
	4"	2500	120	35	HS	143	121	91	59	23	-	-	0.6	104	
	5"	2000	120	21	LS	147	110	63	-	-	-	-	0.4	104	
	5"	2500	120	36	HS	203	175	138	84	33	-	-	0.6	104	
TD-150S	6"	2200	120	55	LS	239	209	181	154	120	62	-	0.95	140	13.2
	6"	2700	120	65	HS	333	315	286	271	257	178	77	1.2	140	
TD-200S	8"	2000	120	115	LS	409	367	333	306	271	183	46	1.2	140	19.2
	8"	2200	120	122	HS	530	503	472	443	415	349	204	1.2	140	



The TD-SILENT Models 100XS and 150S are California Title 24 compliant and meet ASHRAE 62.2 when installed with a CVC and other TD models are compliant when installed with a 3 way switch and remotely mounted speed control.

## Dimensions (inches)



Model	A	B Ø	C	D Ø	E	F	G	H
TD-100XS	22 5/8	3 13/16	9 15/16	8 1/16	3 15/16	9 13/16	3 1/4	4 3/4
TD-150S	19 1/16	5 13/16	10 13/16	8 11/16	4 9/16	9 13/16	3 3/4	5 1/4
TD-200S	22 3/8	7 13/16	12 7/8	10 3/8	5 11/16	13 3/8	5 1/16	6 7/16