

# Conquest® CONDENSING WATER HEATER

AquaPLEX® Storage Tank and Heat Exchanger (unlined duplex alloy) • 130 Gallon Tank

MODEL ▼	INPUT BTU	Modulating	RECOVERY GPH (Thermal Efficiency)		GAS CONNECTION NPT	VENT DIAMETER (ETL listed for longer vents with larger dia.)	OPERATING Weight (lbs)
			70°F to 140°F ①	40°F to 140°F ②			
40 L 130A-GCL	399,000	No	657 (96%)	471 (98%)	3/4	4" @ 125 eq. ft.	1800
50 L 130A-GCML	500,000	Yes	823 (96%)	588 (98%)	1	4" @ 80 eq. ft.	
60 L 130A-GCML	600,000	Yes	988 (96%)	699 (97%)	1	6" @ 250 eq. ft.	
70 L 130A-GCML	700,000	Yes	1152 (96%)	815 (97%)	1	6" @ 250 eq. ft.	
80 L 130A-GCML	800,000	Yes	1317 (96%)	932 (97%)	1	6" @ 250 eq. ft.	

① Recoveries and thermal efficiency based upon DOE 10 CFR 431 testing per ANSI Z21.10.3 @ 70°F to 140°F.

② Recoveries and thermal efficiency based upon 40°F entering water temperature..

Dimensions are in inches unless otherwise indicated.

For standard and optional equipment, refer to form PV 8293.

Empty weight is 720 pounds and shipping weight is 880 pounds (all models)



## Standard Electrical Service

120VAC, 1Ø, 60 Hz.  
All models < 11 amps.

## Venting

Use a Category IV PVC, CPVC or ETL, UL, ULC or CSA listed stainless steel or Centrotherm InnoFlue SW Polypropylene vent. Minimum vent length is 5 eq. feet. Maximum vent length varies by model number and vent diameter. Do not size vent based only upon connection diameter at the appliance. Refer to installation manual for sizing requirements.

## Inlet Combustion Air Duct

Use PVC or galvanized pipe. For model 40, up to 125 eq. ft. using 4" diameter pipe. For model 50, up to 80 eq. ft. using 4" diameter pipe. For models 60, 70 & 80, up to 250 eq. ft. using 6" pipe. Longer lengths are ETL listed with larger diameters, refer to installation manual.

## Gas Pressure - Natural

Minimum inlet flow pressure 3.5" W.C. Maximum static pressure 14.0" W.C. For LP gas, refer to installation manual.

## Minimum Clearance from Combustibles

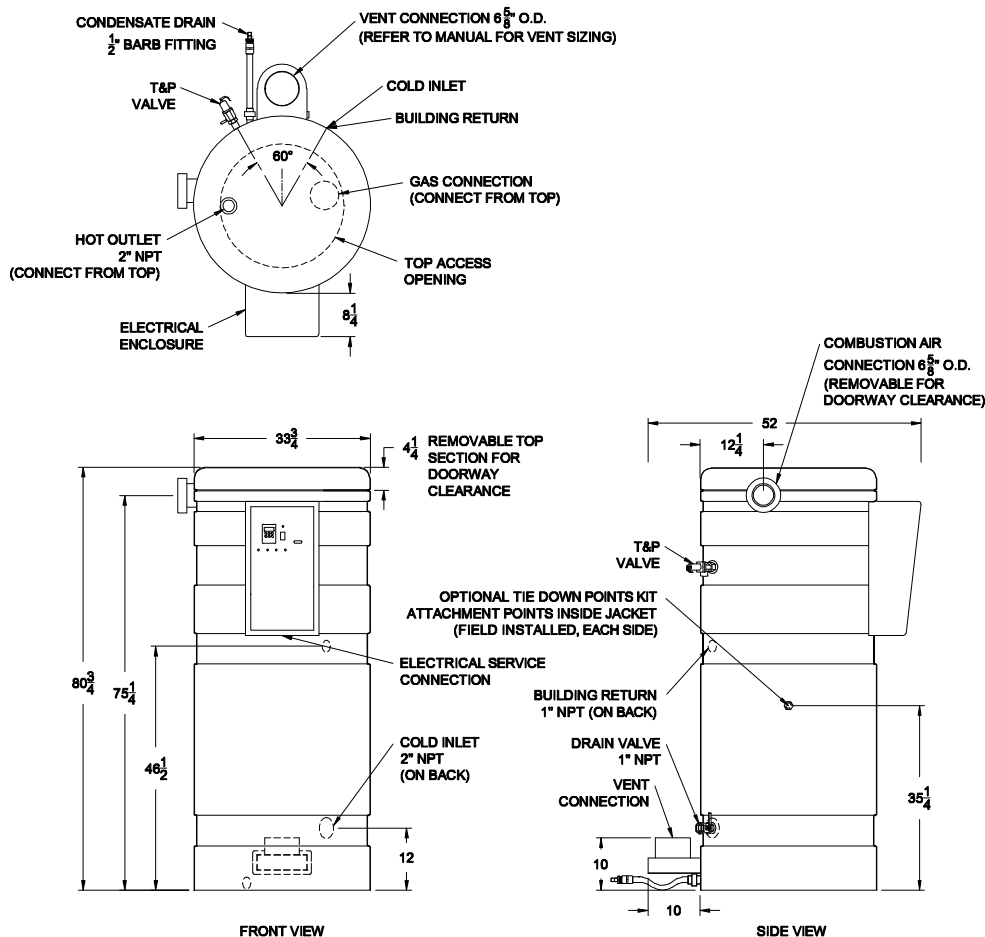
Zero clearance from sides and rear, 24" from front, 15" from top. Can be installed directly on a combustible floor.

## Recommended Service Clearances

18" from all sides. Check local and national codes for additional clearance requirements.

## Emissions

All models < 20 ppm NOx.



PVI INDUSTRIES, LLC  
Engineered Water Heating Solutions®  
www.pvi.com  
Fort Worth, TX • 800-784-8326

PVI RESERVES THE RIGHT TO CHANGE THE DESIGN AND SPECIFICATION WITHOUT NOTICE.