



## CS 63 IFS™, CS 553 IFS™, CS 53 IFS™ & CS 32 IFS™



Product may differ slightly from image

### Standard Color(s)



### Non-Standard Color(s)



### Standard Color(s)



Colors shown are for reference purposes only. Exact matches are not possible with your monitor display.

**71 3/4" x 36" x 20"**

**66" 36" 20"**

**59 3/4" x 36" x 20"**

**59 3/4" 32" 20"**

(Length x Width x Height)

- One Chromatherapy light
- Removable IFS Panel
- Two Chromatherapy lights
- Two Grab Bars
- Two White Grab Bars (non-metallic)
- Water heater
- White Pillow

### Massage System(s)

- Aeroeffect with air push control
- Aeroeffect with multi speed electronic control
- Back massage (4 jets)
- Combined True Whirlpool and Aeroeffect with air push control
- Combined True Whirlpool and Aeroeffect with multi speed electronic control
- True Whirlpool with air push control
- True Whirlpool with multi speed electronic control

PEARL reserves the right to discontinue products at any time or change specifications and/or design without notice and without incurring obligation. All dimensions are approximate and subject to change without notice.

## Regions where this product is available

### USA

Alabama, Alaska, Arizona, Arkansas, California, Colorado, Connecticut, Delaware, District of Columbia, Florida, Georgia, Hawaii, Idaho, Illinois, Indiana, Iowa, Kansas, Kentucky, Louisiana, Maine, Maryland, Massachusetts, Michigan, Minnesota, Mississippi, Missouri, Montana, Nebraska, Nevada, New Hampshire, New Jersey, New Mexico, New York, North Carolina, North Dakota, Ohio, Oklahoma, Oregon, Pennsylvania, Rhode Island, South Carolina, South Dakota, Tennessee, Texas, Utah, Vermont, Virginia, Washington, West Virginia, Wisconsin, Wyoming

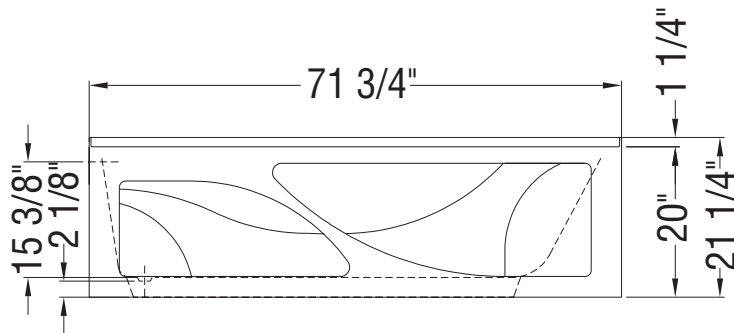
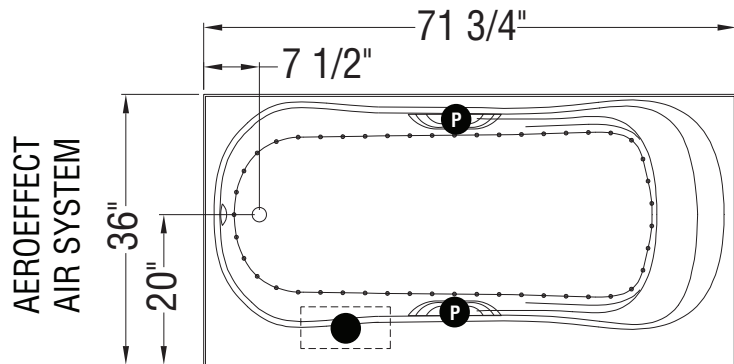
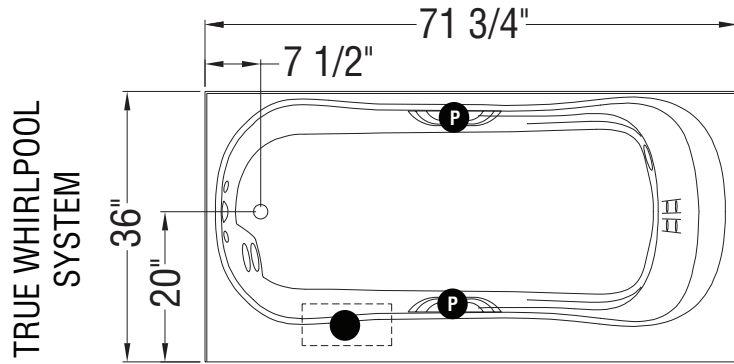
**Model**

**CS 63 IFS™**

71 3/4" x 36" x 20"

Water capacity  
Maximum 65 G  
Minimum 49 G

All dimensions are approximate. Structure measurements must be verified against the unit to ensure proper fit.



- : Indicates pump or blower positioning
- Ⓟ : Indicates optional grab bars positioning
- ( ○ ) : Indicates True Whirlpool jets positioning
- ( • ) : Indicates Aeroeffect airjets positioning

**Model**

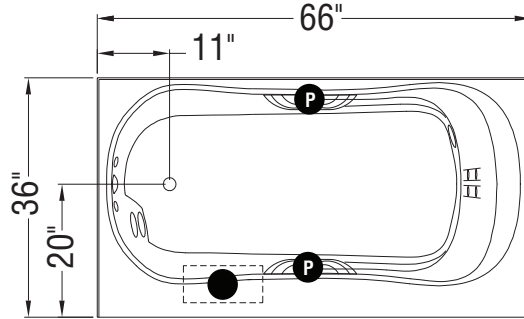
**CS 553 IFS™**

66" x 36" x 20"

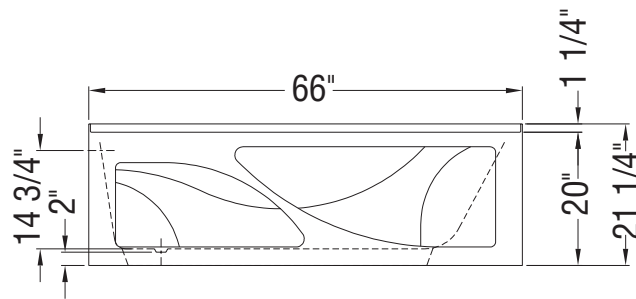
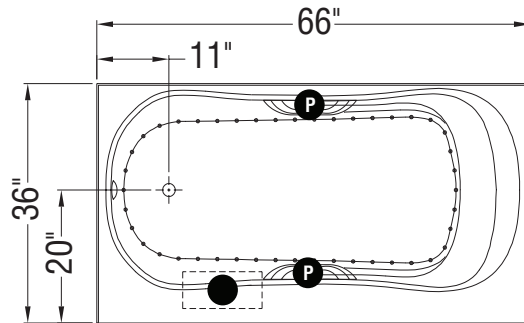
Water capacity  
Maximum 58 G  
Minimum 50 G

All dimensions are approximate. Structure measurements must be verified against the unit to ensure proper fit.

TRUE WHIRLPOOL  
SYSTEM



AEROEFFECT  
AIR SYSTEM



- : Indicates pump or blower positioning
- P : Indicates optional grab bars positioning
- ( ○ ) : Indicates True Whirlpool jets positioning
- ( • ) : Indicates Aeroeffect airjets positioning

**Model**

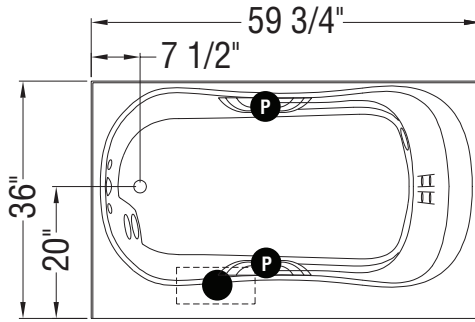
**CS 53 IFS™**

59 3/4" x 36" x 20"

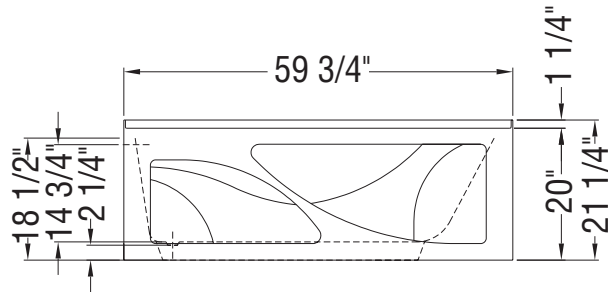
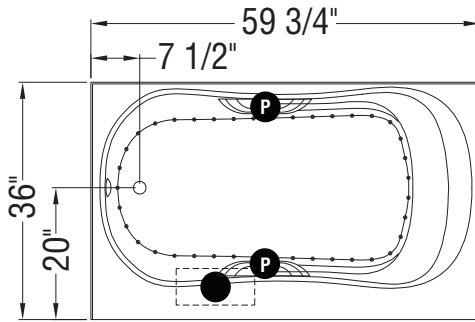
Water capacity  
Maximum 58 G  
Minimum 44 G

All dimensions are approximate. Structure measurements must be verified against the unit to ensure proper fit.

TRUE WHIRLPOOL  
SYSTEM



AEROEFFECT  
AIR SYSTEM



- : Indicates pump or blower positioning
- Ⓟ : Indicates optional grab bars positioning
- ( ○ ) : Indicates True Whirlpool jets positioning
- ( • ) : Indicates Aeroeffect airjets positioning

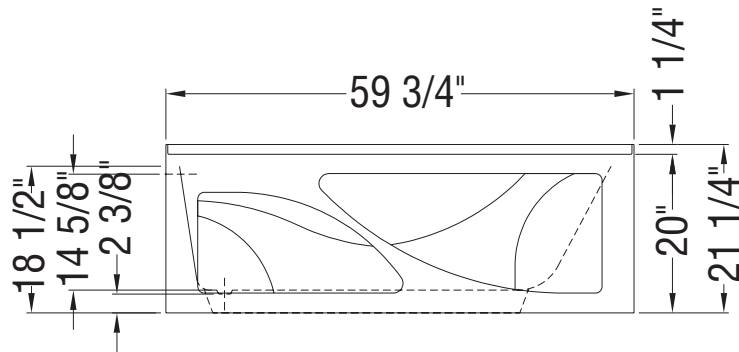
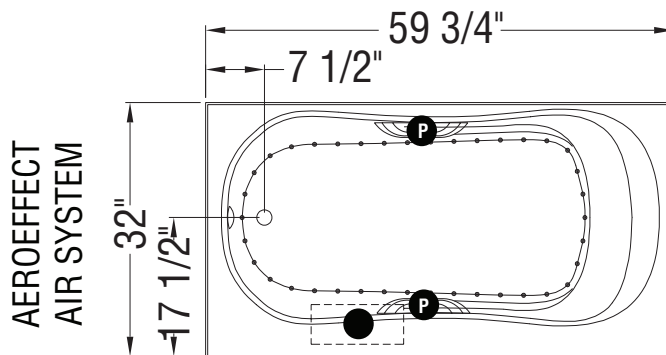
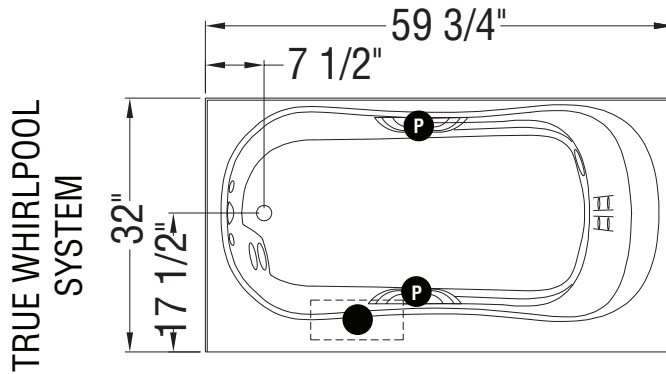
**Model**

**CS 32 IFS™**

59 3/4" x 32" x 20"

Water capacity  
Maximum 55 G  
Minimum 32 G

All dimensions are approximate. Structure measurements must be verified against the unit to ensure proper fit.



- : Indicates pump or blower positioning
- P : Indicates optional grab bars positioning
- ( ○ ) : Indicates True Whirlpool jets positioning
- ( • ) : Indicates Aeroeffect airjets positioning