

# MAAX SUBMITTAL SPECIFICATIONS

## Tempo (3-Piece)

**MODEL NUMBER 200005-S**

DIMENSIONS: 51" x 35" x 85" Acrylic



### STANDARD FEATURES

- 3-piece shower: base, walls and roof cap
- Sectional unit ideal for renovation projects
- Integrated seat, soap dish, shelves and towel bar
- Steamax for at home sauna experience optional
- Optional: roof halogen light (recommended)

### OPTIONS

- Halogen light
- Recessed light
- 2-piece ABS shower drain with Chrome stainless steel grid
- ABS shower drain with ABS grid, White or Bone
- PVC quick caulking shower drain with Polished Brass grid
- PVC quick caulking shower drain with Chrome or Brushed Nickel grid

### UNIQUE FEATURES

- None

### SYSTEMS



IES MAAX IES 1/2

### DOOR SELECTION

Combine with MAAX's complete shower door offering visit [www.maax.com](http://www.maax.com)

### CERTIFICATIONS

Maax products adhere to one or more of the following certifications:



Project : .....

Contractor : .....

MAAX Representative : ..... Tel : .....

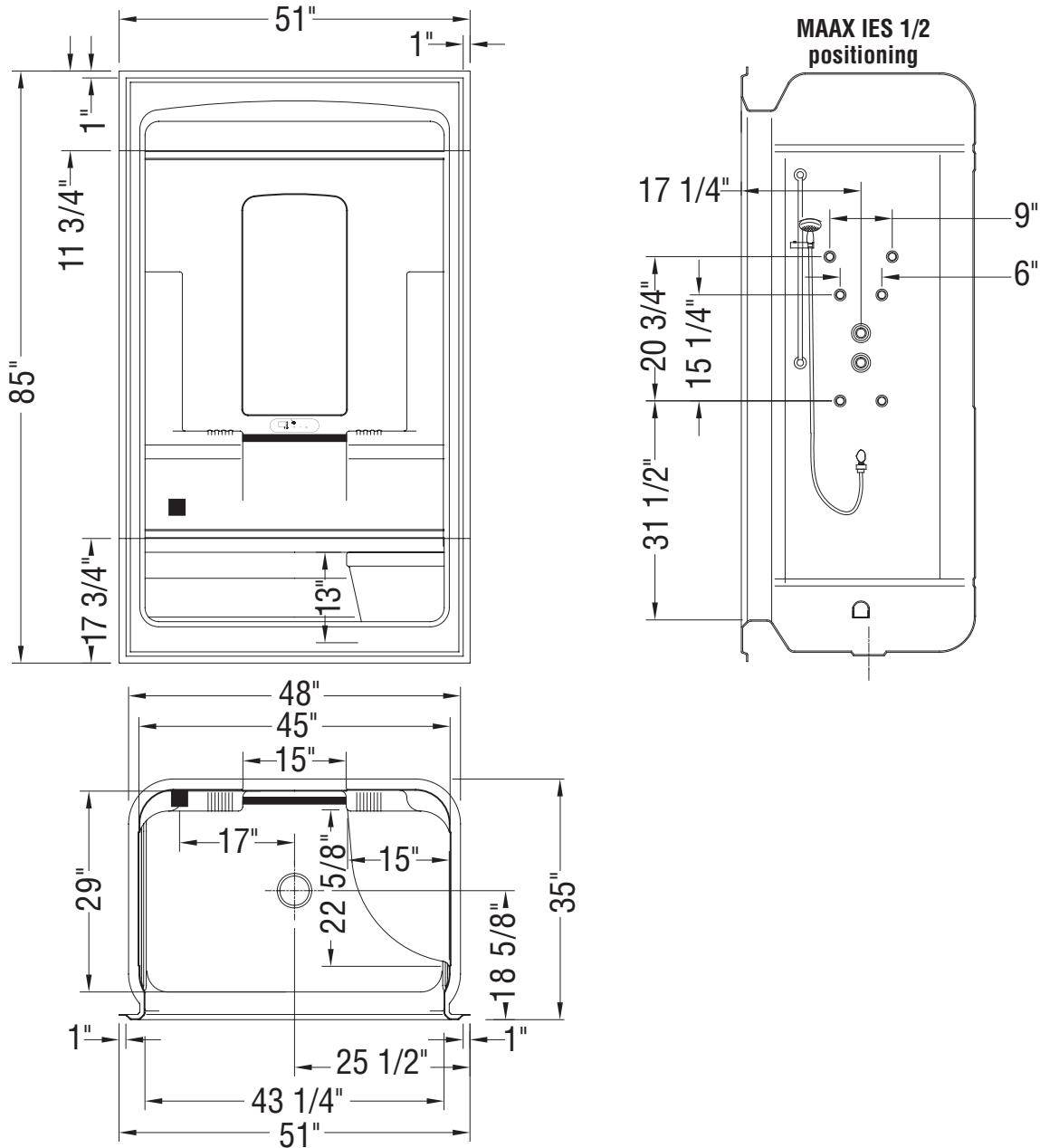
Date : .....

# MAAX SUBMITTAL SPECIFICATIONS

## Tempo (3-Piece)

MODEL NUMBER 200005-S

### TECHNICAL DRAWINGS



( ■ ): Indicates Steamax nozzle positioning

All dimensions are approximate. Structure measurements must be verified against the unit to ensure proper fit.