

# MAAX SUBMITTAL SPECIFICATIONS

## Exhibit 6032

**MODEL NUMBER 105513**

DIMENSIONS: 60" x 32" x 20" Acrylic



Vivez l'expérience  
**MAAX**<sup>®</sup>  
Enjoy the experience

### STANDARD FEATURES

- Unique feature: minimalist look with discreet armrests
- Textured bottom
- End drain
- Drop-in installation
- Apron with magnetic access panel available





### OPTIONS

- One chromatherapy light
- Water heater assembly (factory installed)
- Metal trim kit for Whirlpool
- Air push cover
- Cable-operated waste and overflow extendable
- Foam pillow with 2 suction pads

### UNIQUE FEATURES

- Tiling Flange

### SYSTEMS

-  MAAX Professional Whirlpool
-  Aeroeffect
-  Combined Whirlpool/Aeroeffect
-  Chromatherapy

### DOOR SELECTION

Combine with MAAX's complete shower door offering visit [www.maax.com](http://www.maax.com)

### CERTIFICATIONS

Maax products adhere to one or more of the following certifications:



Project : .....  
Contractor : .....  
MAAX Representative : ..... Tel : .....  
Date : .....

[www.maax.com](http://www.maax.com)

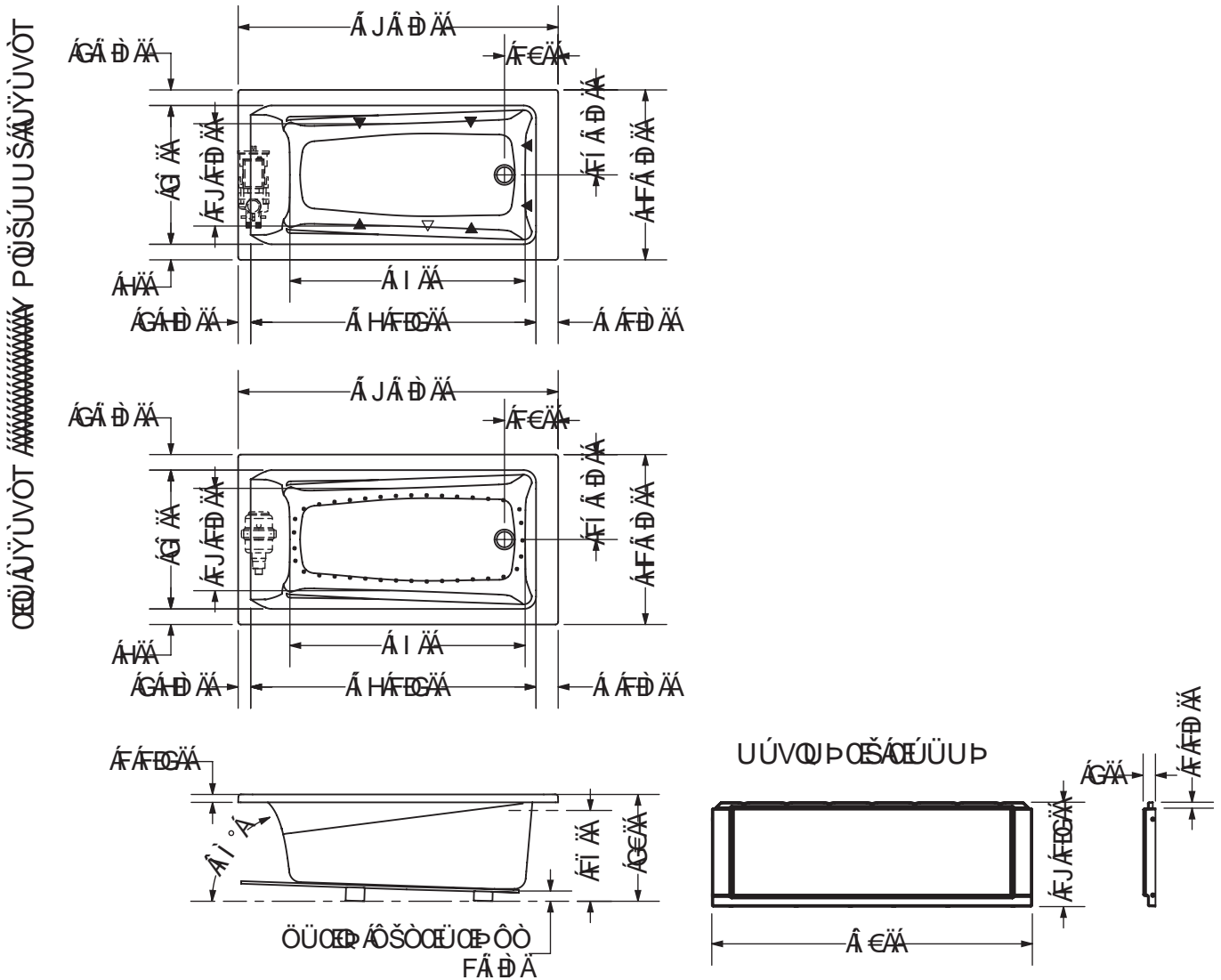
2014-04-23

# MAAX SUBMITTAL SPECIFICATIONS

## Exhibit 6032

MODEL NUMBER 105513

### TECHNICAL DRAWINGS



QWUWUQaæe•Á @|||/Á•Á[•ää]ä\*  
 QWUWUQaæe•Á•&ç}Á[•ää]ä\*  
 QWUWUQaæe•Á•b•Á[•ää]ä\*  
 QH/ää ^)•ä)•Á•Á•|||cä æ•Üd~&c!^Á ^æ~!^ ^)•Á  
 {•c•^•Á!ää•á•æ•c•@•Á)•á•Á)•!^Á!|]•Á•Á•É