

# MAAX SUBMITTAL SPECIFICATIONS

Vivez l'expérience

# MAAX®

Enjoy the experience

## CS 53 NS

**MODEL NUMBER 103582**

DIMENSIONS: 59 3/4" x 36" x 20" Acrylic



### STANDARD FEATURES

- Molded tile flange without a front skirt allows the freedom to customize the surround. Available in tub only and an array of True Whirlpool Systems with optional back massage, Aeroeffect Air Systems and Combination True Whirlpool and Aeroeffect Air Systems. Options include cable-operated waste and overflow, grab bars, in-line heater, chromatherapy and pillow. Alcove installation. Specify left or right-hand model.

### OPTIONS

- None

### UNIQUE FEATURES

- None

### SYSTEMS

- None

### DOOR SELECTION

Combine with MAAX's complete shower door offering visit [www.maax.com](http://www.maax.com)

Project : .....  
Contractor : .....  
MAAX Representative : ..... Tel : .....  
Date : .....

### CERTIFICATIONS

Maax products adhere to one or more of the following certifications:

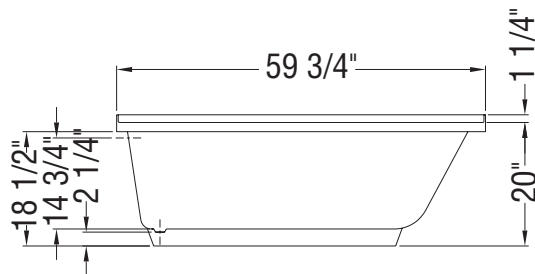
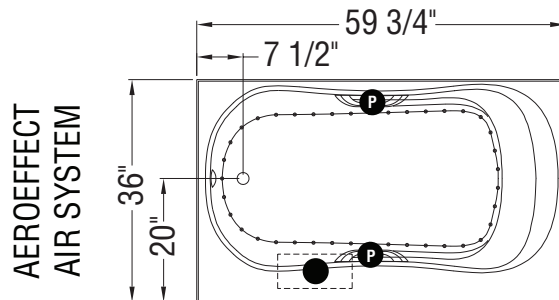
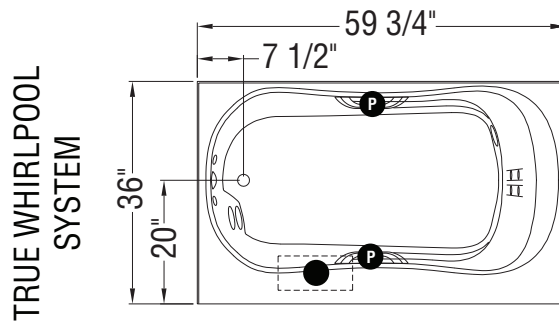


# MAAX SUBMITTAL SPECIFICATIONS

## CS 53 NS

MODEL NUMBER 103582

### TECHNICAL DRAWINGS



- : Indicates pump or blower positioning
- P : Indicates optional grab bars positioning
- ( ○ ) : Indicates True Whirlpool jets positioning
- ( ● ) : Indicates Aeroeffect airjets positioning