

Specification Submittal Data

Panasonic Radiation Damper for Combustible Assemblies

Description:

Radiation damper shall be assembled with select ENERGY STAR® rated ventilation fans, fan/lights and fans with motion/condensation sensors. Damper shall be UL and cUL listed for wood truss assemblies and meet UL 555C for use in 1 hour fire-rated floor/ceiling or roof/ceiling assemblies as listed below. Damper shall exceed National Fire Protection Agency NFPA-90A.

Features:

- UL 555C listed for use in a 1 hour fire-rated wood truss floor/ceiling and roof/ceiling designs*
- 165 degree Fahrenheit fusible link.
- High-temperature, non-asbestos, reinforced fiber thermal fabric.
- Galvanized steel frame.
- Damper sleeve allows for fan/motor access for ongoing maintenance or framing/drywall/paint installation staging.
- Drywall support installation after drywall to make fan/damper assembly meet UL Combustible Assemblies.

UL listed assembly with Panasonic ENERGY STAR® models:

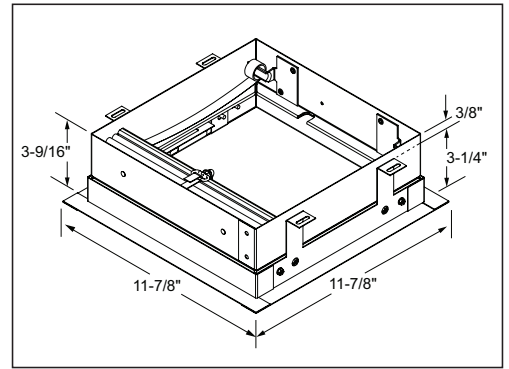
WhisperGreen® Select™: FV-05-11VK1, FV-05-11VKL1, FV-05-11VKS1, FV-05-11VKS1L1, FV-11-15VK1, FV-11-15VKL1

WhisperCeiling®: FV-05VQ5, FV-08VQ5, FV-08VQL5, FV-08VQL6, FV-11VQ5, FV-11VQL5, FV-11VQL6, FV-15VQ5, FV-15VQL5, FV-15VQL6

WhisperSense®: FV-08VQC5, FV-08VQCL5, FV-08VQCL6, FV-11VQC5, FV-11VQCL5, FV-11VQCL6

WhisperFit®/WhisperFit® EZ™: FV-05VF2, FV-05VFL4, FV-05VFM2, FV-08-11VF5, FV-08-11VFL5, FV-08-11VFM5, FV-08VF2, FV-08VFL4, FV-08VFM2, FV-11VF2, FV-11VFL4

WhisperValue®/WhisperValue® DC™: FV-0510VS1, FV-0810VSS1, FV-0510VSC1, FV-0510VSL1, FV-0810VSSL1, FV-0510VSL3, FV-05VS1, FV-05VS3, FV-08VS3, FV-08VSL3, FV-10VS1, FV-10VS3, FV-10VSL3, FV-10VS3E, FV-10VSL3E



PC-RD05C5

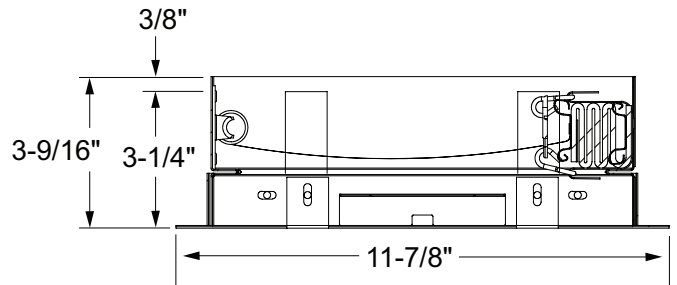
* UL 555C classification for the following 1 hour UL Wood Truss Assembly Ratings: L521, L528, L546, L558, L562, L574, L576, L581, L583, L585, M509; P522, P-533, P-538, P-545 and P-547.



File #: 3225-1598:100



File #: WHI-495-PSH-0177, -0178



For complete Installation Instructions visit us.panasonic.com/ventfans

Model	Quantity	Comments	Project:
			Location:
			Architect:
			Engineer:
			Contractor:
			Submitted by:
			Date:

See following page for Non-Combustible Assembly application.

Panasonic Eco Solutions North America
 Eco Products Division
 Two Riverfront Plaza
 Newark, NJ 07102
us.panasonic.com/ventfans

Specification Submittal Data

Panasonic Radiation Damper for Non-Combustible Assemblies

Description:

Radiation damper shall be assembled with select ENERGY STAR® rated ventilation fans, fan/lights and fans with motion/condensation sensors. Damper shall be UL and cUL listed for T-bar, hanger rod/wire ceiling installation and exceed UL 555C for use in 3-hour fire rated floor/ceiling or roof/ceiling assemblies. Damper shall exceed National Fire Protection Agency NFPA-90A.

Features:

- UL 555C listed for use in a 1, 2 or 3 hour fire rated floor/ceiling and roof/ceiling designs.*
- 165 degree Fahrenheit fusible link.
- High-temperature, non-asbestos, reinforced fiber thermal fabric.
- Galvanized steel frame.
- Damper sleeve allows for fan/motor access for ongoing maintenance or framing/drywall/paint installation staging.

UL listed assembly with Panasonic ENERGY STAR® models:

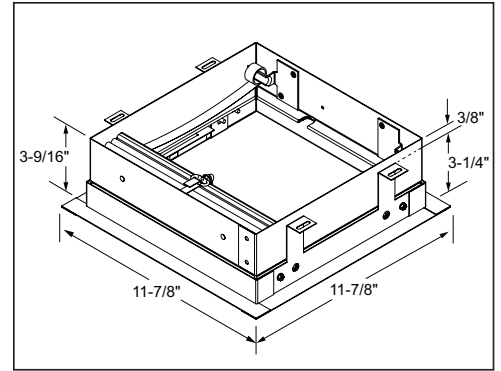
WhisperGreen® Select™: FV-05-11VK1, FV-05-11VKL1, FV-05-11VKS1, FV-05-11VKSL1, FV-11-15VK1, FV-11-15VKL1

WhisperCeiling®: FV-05VQ5, FV-08VQ5, FV-08VQL5, FV-08VQL6, FV-11VQ5, FV-11VQL5, FV-11VQL6, FV-15VQ5, FV-15VQL5, FV-15VQL6

WhisperSense®: FV-08VQC5, FV-08VQCL5, FV-08VQCL6, FV-11VQC5, FV-11VQCL5, FV-11VQCL6

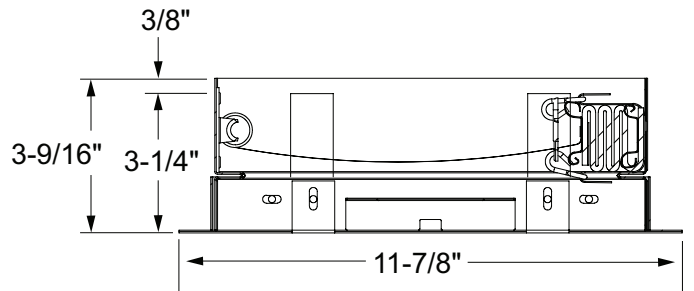
WhisperFit®/WhisperFit® EZ™: FV-05VF2, FV-05VFL4, FV-05VFM2, FV-08-11VF5, FV-08-11VFL5, FV-08-11VFM5, FV-08VF2, FV-08VFL4, FV-08VFM2, FV-11VF2, FV-11VFL4

WhisperValue®/WhisperValue® DC™: FV-0510VS1, FV-0810VSS1, FV-0510VSC1, FV-0510VSL1, FV-0810VSSL1, FV-0510VSL3, FV-05VS1, FV-05VS3, FV-08VS3, FV-08VSL3, FV-10VS1, FV-10VS3, FV-10VSL3, FV-10VS3E, FV-10VSL3E



PC-RD05C5

* UL and Warnock Hersey 555C classification for 1, 2 or 3 hour Non-Combustible Assemblies.



File #: 3225-1598-100



File #: WHI-495-PSH-0177, -0178

For complete Installation Instructions visit us.panasonic.com/ventfans

Model	Quantity	Comments	Project:
			Location:
			Architect:
			Engineer:
			Contractor:
			Submitted by:
			Date:

Panasonic Eco Solutions North America
 Eco Products Division
 Two Riverfront Plaza
 Newark, NJ 07102
us.panasonic.com/ventfans