

Specification Submittal Data / Panasonic Ventilation Fan

Description

Ventilating fan shall be Low Noise ceiling mount type rated for continuous operation. Fan shall be ENERGY STAR rated and certified by the Home Ventilating Institute (HVI). Fan shall include energy efficient compact fluorescent lighting. Evaluated by Underwriters Laboratories and conform to both UL and cUL safety standards.

Motor/Blower:

- Four-pole totally enclosed condenser motor rated for continuous operation.
- Power Rating shall be 120 volts and 60 Hz.
- Fan shall be UL and cUL listed for tub/shower enclosure when used with a GFCI branch circuit wiring and use in insulated ceiling (TYPE I.C.)
- Motor equipped with thermal-cut-off fuse.
- Removable with permanently lubricated plug-in motor.

Housing:

- Rust proof paint, galvanized steel body.
- Detachable dual 4" or 6" diameter duct adaptor.
- Built in backdraft damper.
- Double hanger bar system allowing for ideal positioning.
- Expandable extension bracket up to 24".

Grille:

- Attractive design using PP material.
- Attaches directly to housing with torsion springs.

Light:

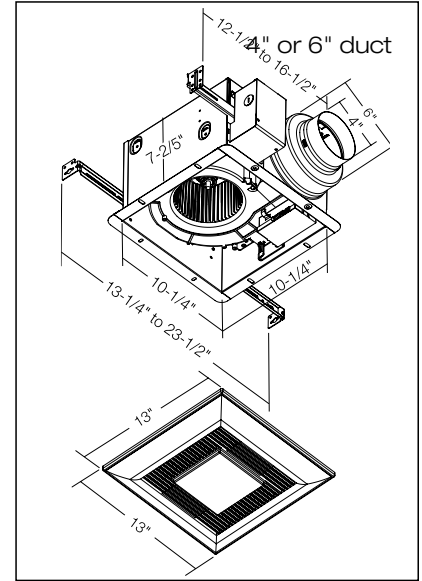
- One 32-Watt compact fluorescent lamp with electronic ballast included.
- One 4-Watt night-light included.
- FCC Part 18 compliant.

Warranty:

- ALL Parts: For period of 3 years from the date of the original purchase. Compact Fluorescent Lamp (CFL): 10,000 hours. Night Light Lamp: No Warranty.

Architectural Specifications:

Ventilation fan and light shall be of the ceiling mount, ENERGY STAR rated type, with no less than 80 CFM and no more than <0.3 sone as certified by the Home Ventilating Institute (HVI) at 0.1 static pressure in inches water gauge (w.g.) with no less than 62 CFM and no more than 0.4 sone as certified by HVI at .25 w.g. Power Consumption shall be no greater than 14.9 watts at 0.1 w.g. and 14.7 watts at 0.25 w.g. and ENERGY STAR rated with efficiency of no less than 5.5 CFM/watt at 0.1 w.g. and 4.3 CFM/watt at 0.25 w.g. The motor shall be totally enclosed, four pole condenser type engineered to operate continuously. Power rating shall be 120v/60Hz. Included is a detachable dual 4" or 6" diameter duct adaptor. Duct diameter shall be no less than 4". Fan shall be UL and cUL listed for tub/shower enclosure when used with GFCI branch circuit wiring. Fan shall be ASHRAE 62.2, LEED, ENERGY STAR IAP, EarthCraft, California Title-24, WA Ventilation Code compliant. Lamps shall utilize no less than one 32-watt energy efficient, compact fluorescent lamp incorporating high efficiency electronic ballast. Night-light feature shall be included.

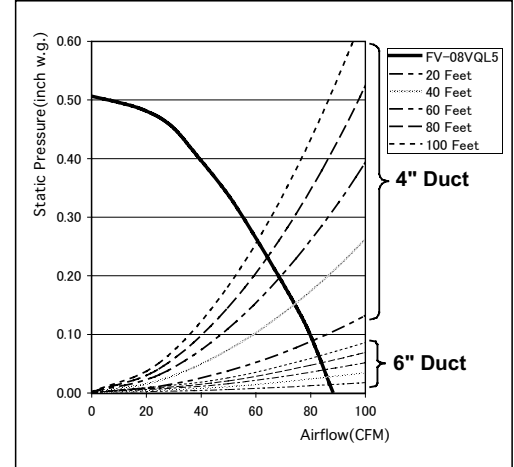


FV-08VQL5

Specifications: WhisperLite FV-08VQL5		4" or 6" Duct (Standard)	
Ventilation Fan Characteristics (HVI tested data for 0.1" S.P.)	Static Pressure in inches w.g.	0.1	0.25
	Air Volume (CFM)	80	62
	Noise (sones)	<0.3	0.4
	Power Consumption (watts)	14.9	14.7
	Energy Efficiency (CFM/Watt)	5.5	4.3
	Speed (RPM)	863	1117
	Current (amps)	0.12	0.12
	Power Rating (V/Hz)	120/60	
	ENERGY STAR rated	YES	

As of date 4/11

For complete Installation Instructions visit www.panasonic.com/building



Model	Quantity	Comments	Project:
			Location:
			Architect:
			Engineer:
			Contractor:
			Submitted by:
			Date:

Panasonic Home and Environment Company
Division of Panasonic Corporation of North America
One Panasonic Way
Secaucus, NJ 07094

www.panasonic.com/building

