



4675 W. 160th St.
Cleveland, Ohio 44135
Ph: (800) 321-9532
Fax: (800) 321-9535
www.dearbornbrass.com

SUBMITTAL SPECIFICATION

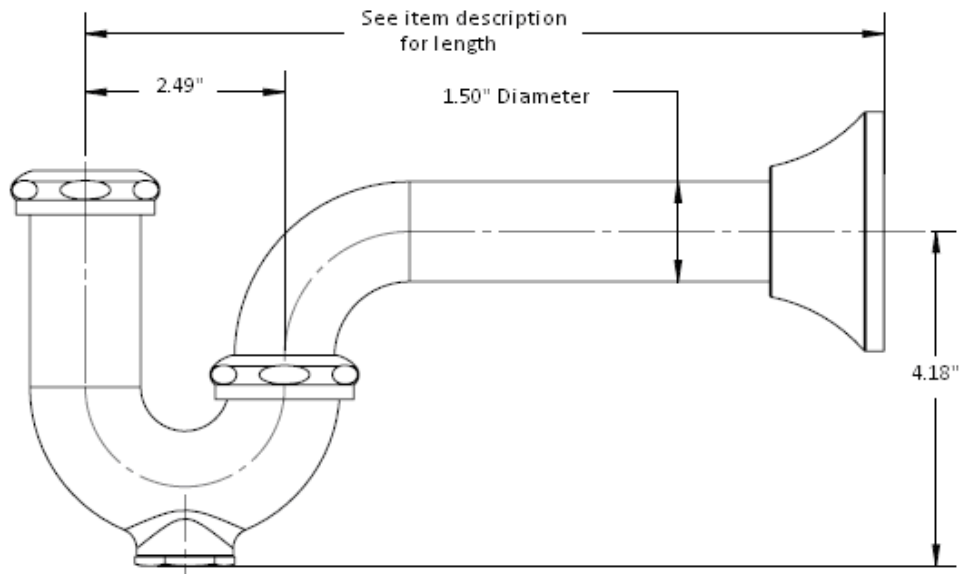
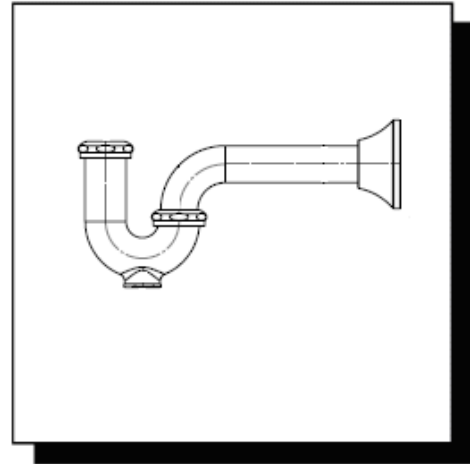
**BRASS TUBULAR
1-1/2" SEMI-CAST P-TRAPS**

Engineering Specification: Dearborn Brass 1-1/2" Semi-Cast Brass P-Traps are designed for installation in commercial applications.

Job Reference

DESCRIPTION

- Chrome Finished
- 17 Gauge Brass
- Semi-Cast P-Trap
 - Cast J-Bend with Cleanout
 - Quarter Bend
 - Deep Metal Flange
 - Cleanout Plug
 - Fiber Cleanout Washer
 - (2) Brass Nuts
 - (1) 1-1/2" x 1-1/4" Reducing Washer
 - (2) 1-1/2" Poly Washers
 - (2) 1-1/2" Rubber Washers
- Designed for installation in commercial applications



✓	Product No.	Description	Carton Quantity	Carton Weight (lbs)
	510-1	1-1/2" x 12" Semi Cast Brass P-Trap – 17 Gauge with Deep Flange & Brass Nuts	12	19
	5510-1	1-1/2" x 12" Semi Cast Brass P-Trap – 17 Gauge with Deep Flange & Brass Nuts – White Box	12	19
	5510A-1	1-1/2" x 15" Semi Cast Brass P-Trap – 17 Gauge with Deep Flange & Brass Nuts	12	21

Data is subject to manufacturing tolerances.