



**Dearborn®
Brass**

4675 W. 160th St.
Cleveland, Ohio 44135
Ph: (800) 321-9532
Fax: (800) 321-9535
www.dearbornbrass.com

SUBMITTAL SPECIFICATION

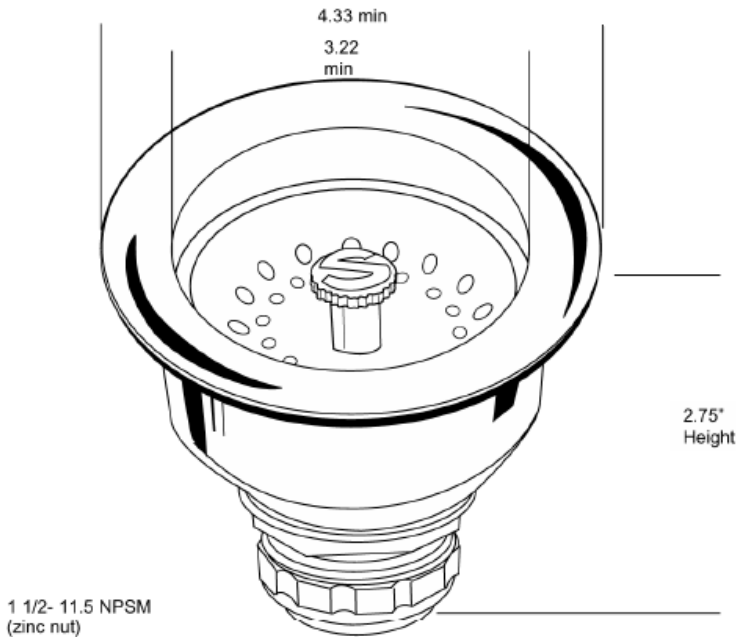
**18 DEEP LOCKING CUP
SINK BASKET STRAINER**

Engineering Specification: Dearborn Brass 18 Deep Locking Cup Sink Basket Strainer is manufactured from stainless steel body and basket. This product is ideal for use on deep cast iron sinks.

Job Reference

DESCRIPTION

- 18 Deep Locking Cup Sink Strainer Assembly
 - BODY: Chrome-plated stainless steel
 - BASKET: Stainless steel
- Length: 3-³/₄"



✓	Product No.	Description	Carton Quantity	Carton Weight (lbs)
→	18	Deep Locking Cup Sink Basket Strainer	24	22
	18T	Deep Locking Cup Sink Basket Strainer with 4" Chrome Plated Tailpiece	24	22
	18BN	Deep Locking Cup Sink Basket Strainer with Brass Nuts	24	22
	4204-18-3	Replacement Basket Strainer for 18	1	.20
	4202-2-3	Replacement Rubber Washer for 18	1	.04

Data is subject to manufacturing tolerances.