

VURSA SERIES SHOWER STALL

Oasis



48-INCH MODEL

SHMD-4836

Rough-In Dimensions

48" wide x 37-1/4" deep x 76-1/2" high (with low profile dam)

Finished Dimensions

48" wide x 36" deep x 75-1/4" high (with low profile dam)

Unit Features



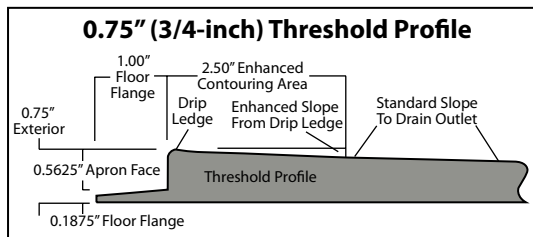
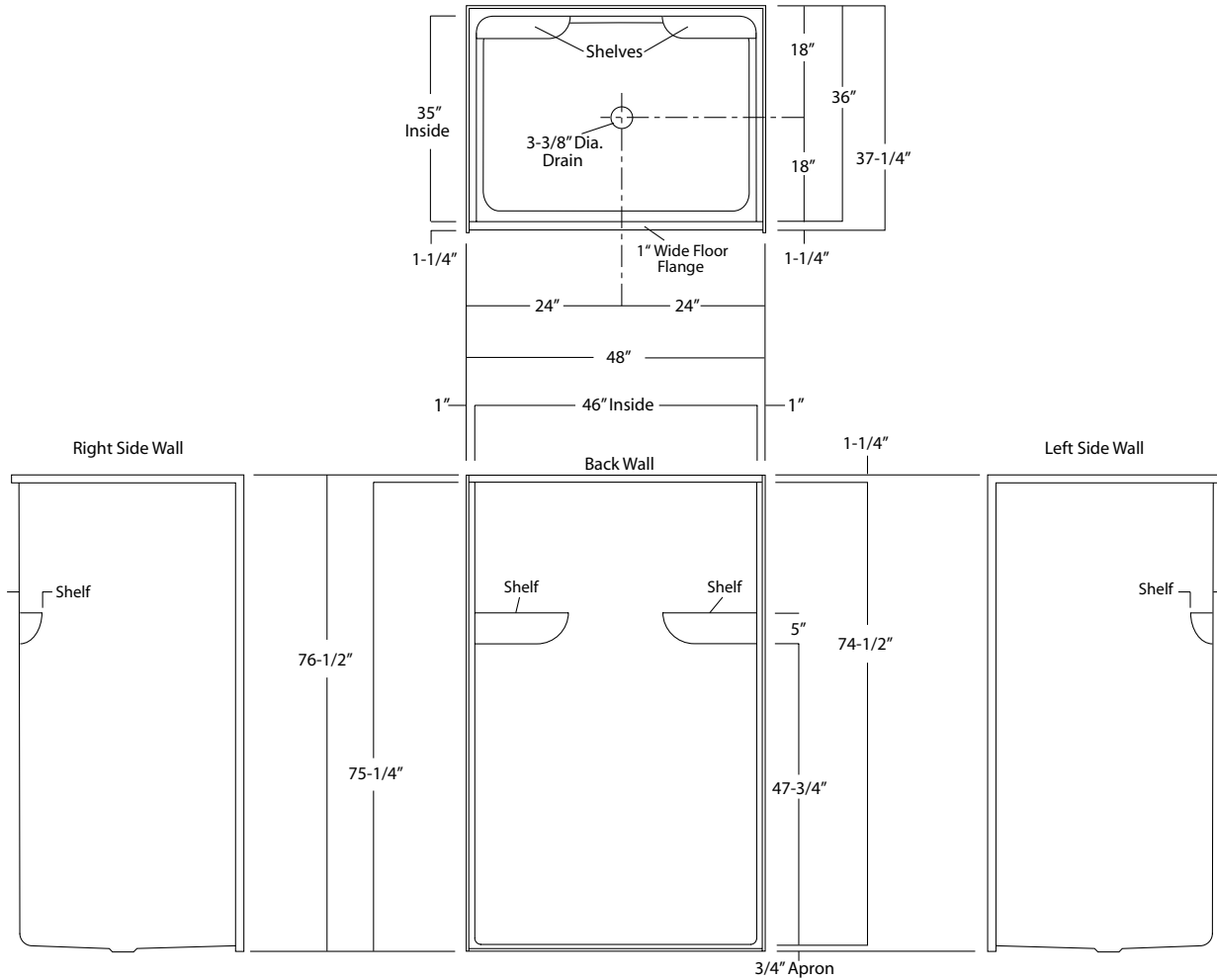
- One - Piece Fiberglass Composite Construction
- Sanitary Grade Polyester Gelcoat Surface
- 3-3/8" Dia. Center Drain (see following pages)
- 3/4" Threshold for Unobstructed Entry
- 1" Floor Flange To Secure Unit Along Threshold
- Elevated Corner Accessory Ledges
- Flat Wall Design To Accommodate Grab Bar Applications
- Textured Floor Pattern

Special Notes

- Factory Applied Reinforcement Packages Available (see following pages)
- Factory Applied Bar & Seat Packages Available (see following pages)

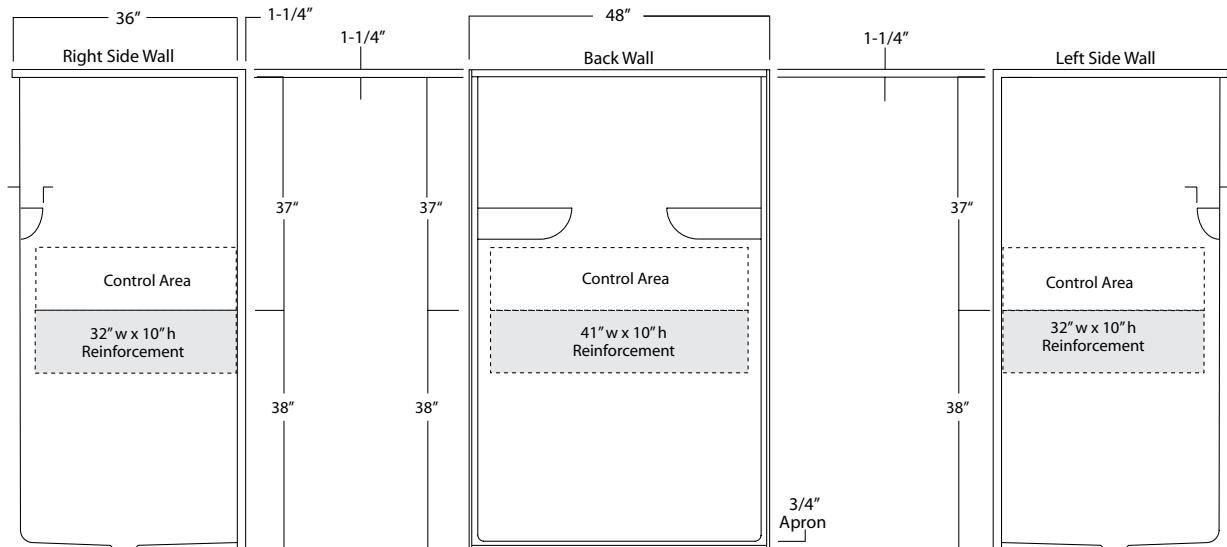
Order No.: SHMD-4836 (Minimal Dam)

48" x 36", one-piece gelcoated, flat-wall, fiberglass shower stall with minimal dam for barrier-free entry, dual back wall shelves, and center drain.



Package Order No.: FH (Fair Housing wall reinforcement)

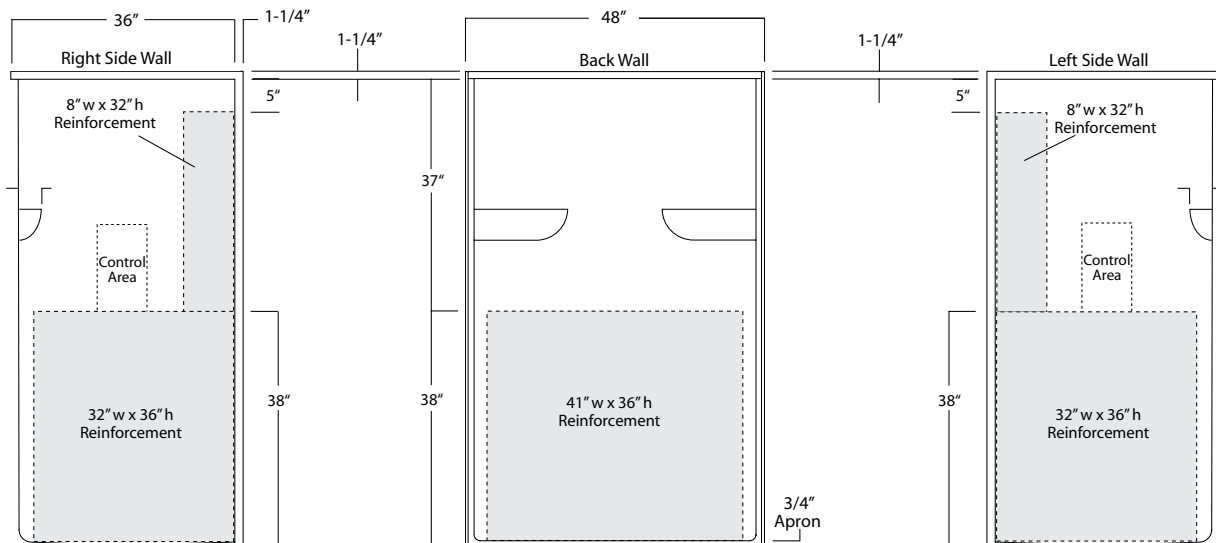
Package Includes: Factory applied, HUD-FHA compliant (Fair Housing), structurally reinforced wall areas (as shown) for the independent field application of bars.



Package Order No.: 3SM (3-side, mid-level wall reinforcement)

Package Includes: Factory applied, 3-side, mid-level, structurally reinforced wall areas (as shown), exceeding 'Fair Housing' (HUD/FHA) requirements.

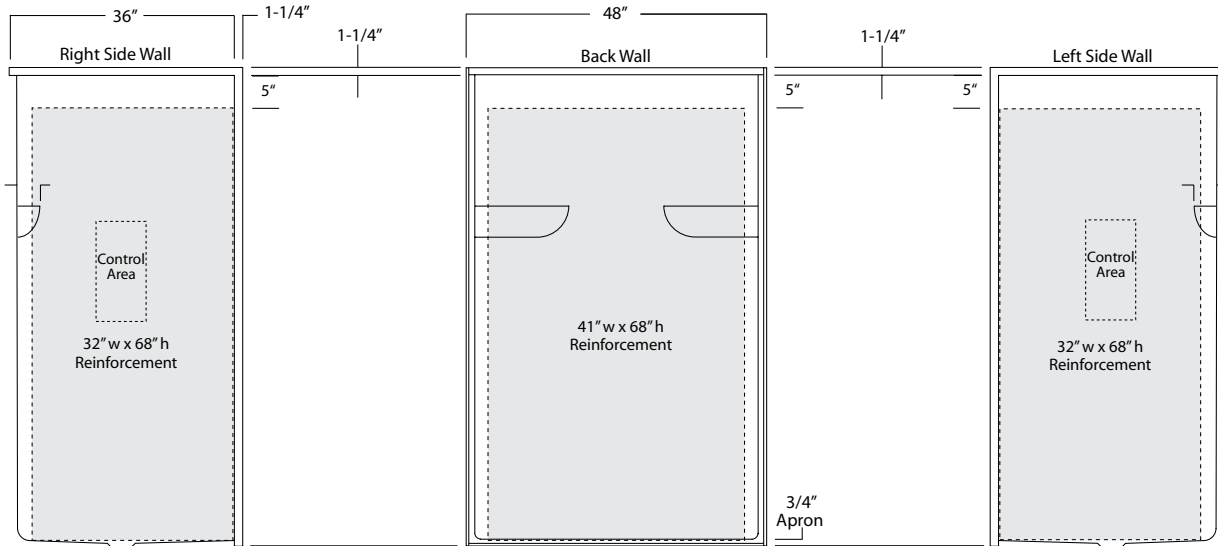
NOTE: Factory installed bar packages available using 3SM reinforcement.



Package Order No.: 3SF (3-side, full-wall reinforcement)

Package Includes: Factory applied, 3-side, full-wrap, structurally reinforced wall areas (as shown), exceeding 'Fair Housing' (HUD/FHA) requirements, for the independent field application of bars.

NOTE: Factory installed bar packages available using 3SF reinforcement.

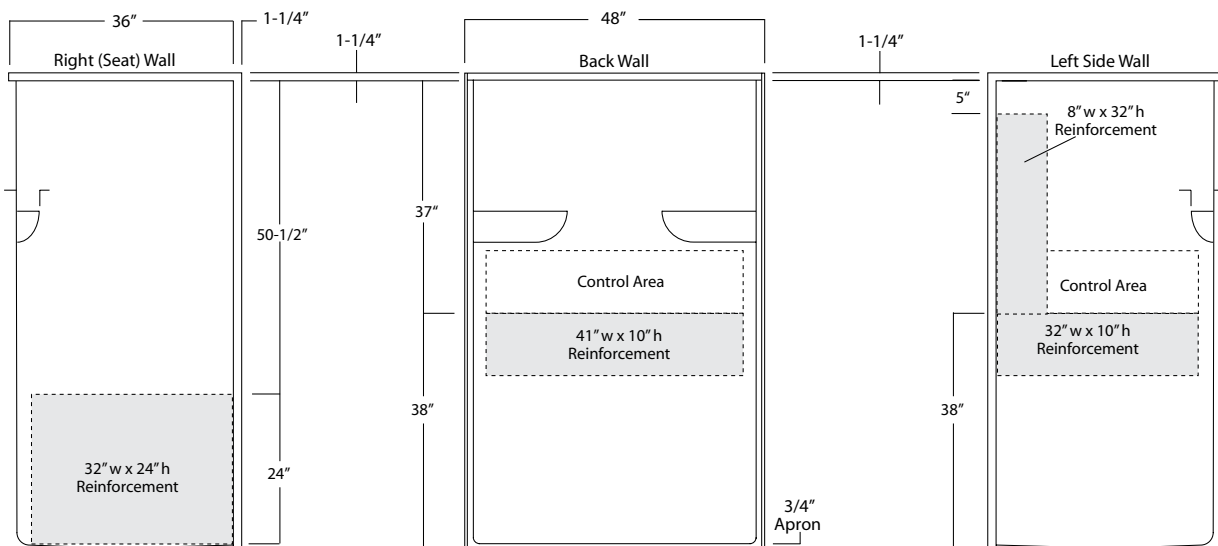


**Package Order No.: TLVRF-LS (2-wall bar & LH seat reinforcement)
TLVRF-RS (2-wall bar & RH seat reinforcement)**

Package Includes: Factory applied, 2-wall horizontal and single-wall vertical bar reinforcement, and single-wall seat reinforcement.

NOTE: Enhanced reinforcement available, see 3SM & 3SF packages.

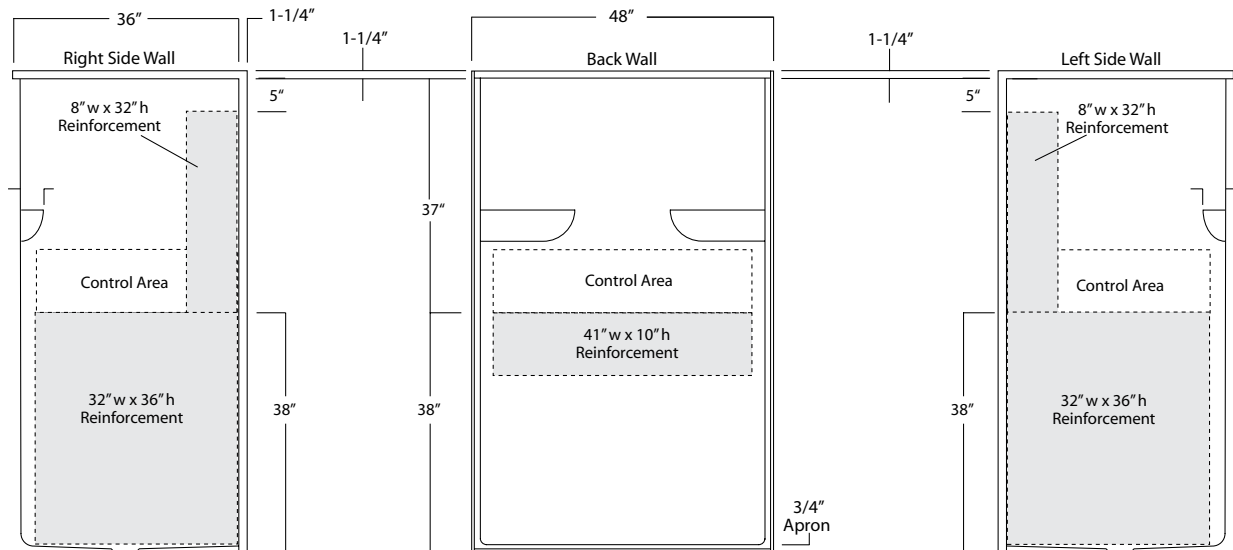
NOTE: "RS or LS" designates seat reinforcement wall.



Package Order No.: TLVRF-DS (3-wall bar & 2-wall seat reinforcement)

Package Includes: Factory applied, 3-wall horizontal and 2-wall vertical bar reinforcement, and 2-wall seat reinforcement exceeding (HUD/FHA) 'Fair Housing' requirements.

NOTE: Enhanced reinforcement available, see 3SM & 3SF packages.



Package Order No.: BP1-(R or L) (2-bar only package)

Upgrade Package No.: BP1-(R or L) WHT (1-1/4" dia., white powder coat, 2-bar only package)

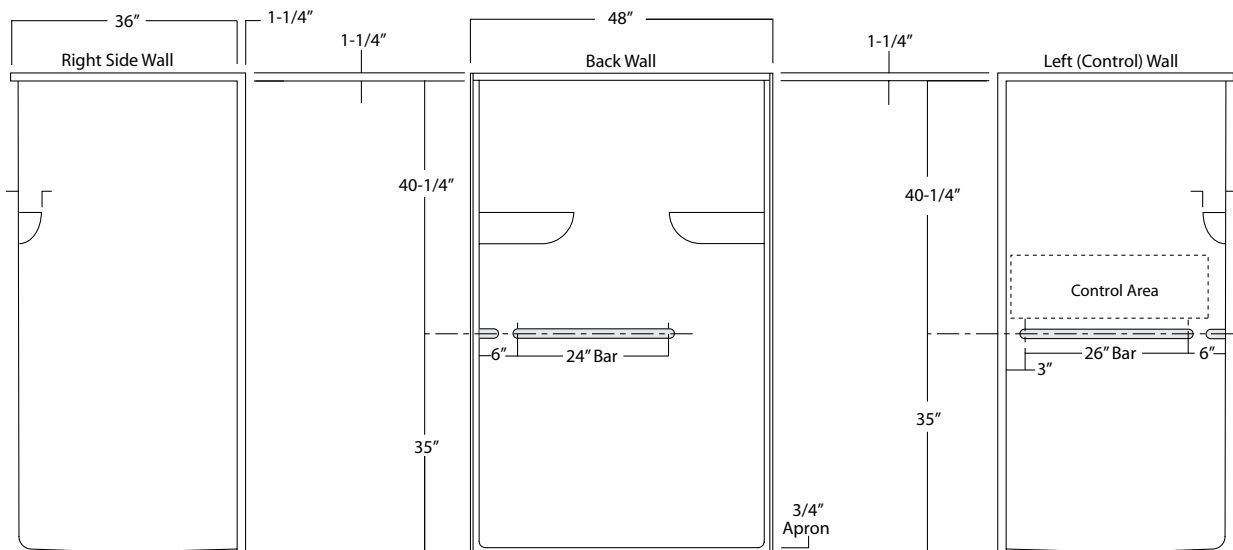
BP1-(R or L) OFW (1-1/4" dia., off-white powder coat, 2-bar only package)

BP1-(R or L) SNK (1-1/4" dia., satin nickel, 2-bar only package)

Package Includes: Factory installed, 1-1/2" dia. stainless steel, 2-bar package with basic reinforcement for components (as shown).

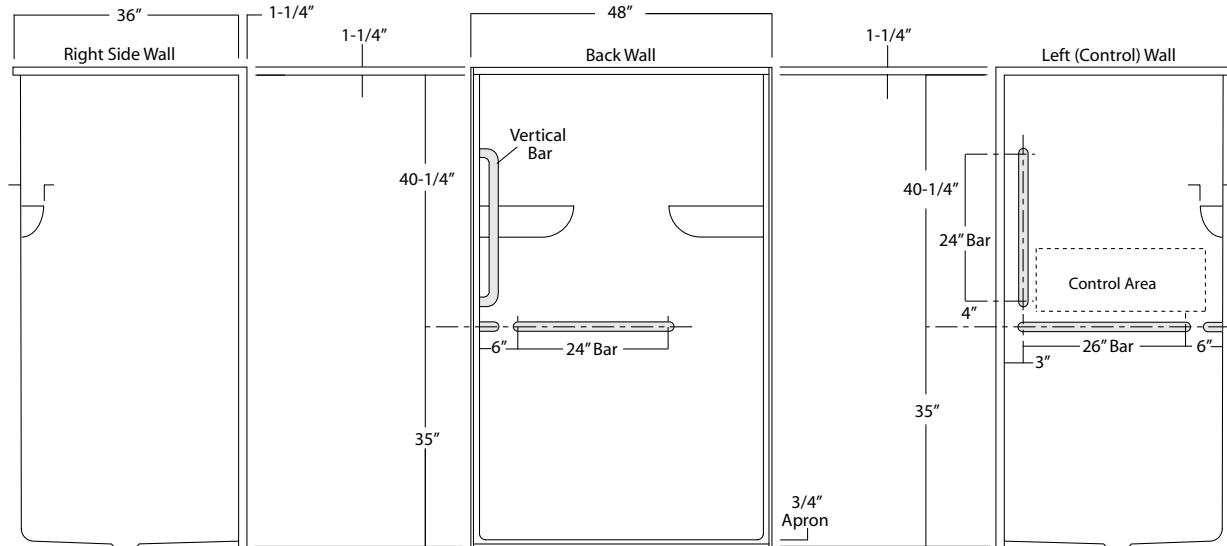
NOTE: Enhanced reinforcement available, see 3SM & 3SF packages.

NOTE: "R or L" designates RH or LH control wall.



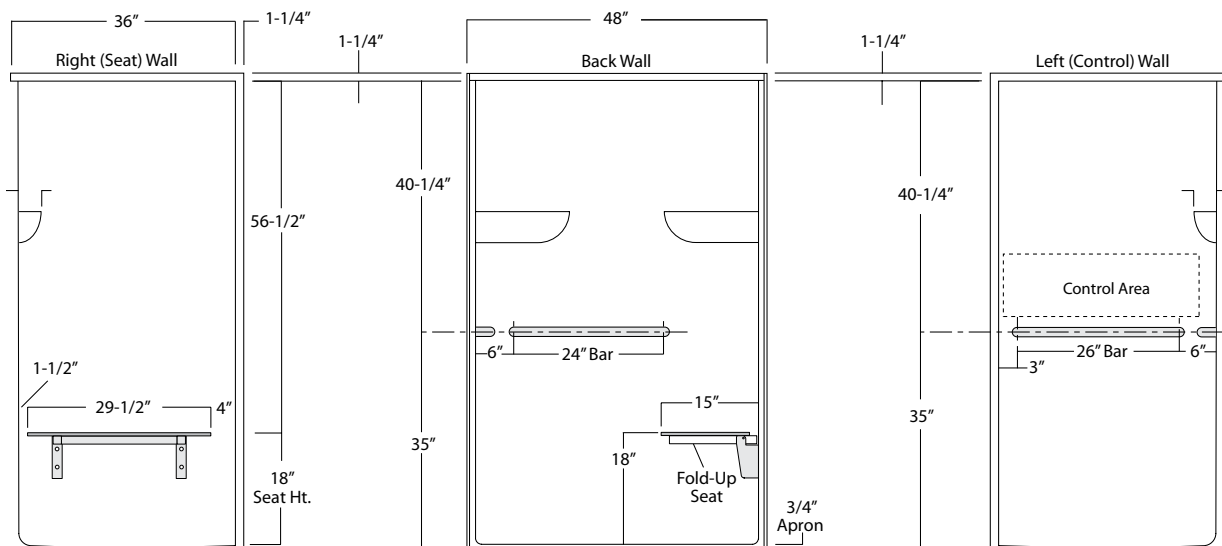
Package Order No.: BP2-(R or L) (3-bar only package)
Upgrade Package No.: BP2-(R or L) WHT (1-1/4" dia., white powder coat, 3-bar only package)
 BP2-(R or L) OFW (1-1/4" dia., off-white powder coat, 3-bar only package)
 BP2-(R or L) SNK (1-1/4" dia., satin nickel, 3-bar only package)

Package Includes: Factory installed, 1-1/2" dia. stainless steel, 3-bar package with basic reinforcement for components (as shown).
 NOTE: Enhanced reinforcement available, see 3SM & 3SF packages.
 NOTE: "R or L" designates RH or LH control wall.



Package Order No.: TL-(RS or LS) (2-bar & folding seat package)
Upgrade Package No.: TL-(RS or LS) WHT (1-1/4" dia., white powder coat, 2-bar & folding seat package)
 TL-(RS or LS) OFW (1-1/4" dia., off-white powder coat, 2-bar & folding seat package)
 TL-(RS or LS) SNK (1-1/4" dia., satin nickel, 2-bar & folding seat package)

Package Includes: Factory installed, 1-1/2" dia. stainless steel, 2-bar and folding seat package with basic reinforcement for components (as shown).
 NOTE: Enhanced reinforcement available, see 3SM & 3SF packages.
 NOTE: "RS or LS" designates seat wall.



Package Order No.: TLV-(RS or LS) (3-bar & folding seat package)
Upgrade Package No.: TLV-(RS or LS) WHT (1-1/4" dia., white powder coat, 3-bar & folding seat package)
 TLV-(RS or LS) OFW (1-1/4" dia., off-white powder coat, 3-bar & folding seat package)
 TLV-(RS or LS) SNK (1-1/4" dia., satin nickel, 3-bar & folding seat package)

Package Includes: Factory installed, 1-1/2" dia. stainless steel, 3-bar and folding seat package with basic reinforcement for components (as shown).

NOTE: Enhanced reinforcement available, see 3SM & 3SF packages.

NOTE: "RS or LS" designates seat wall.

