

Oasis 48-inch Shower Compartment With ActivLife 2-Bar (2-horizontal) And Folding Seat Package



Specification – Oasis one-piece FRP gelcoat shower compartment SH-4836, offered in a standard 4-inch or 6-inch (ABF) dam configuration. ActivLife package includes a horizontal bar across the back wall and side wall opposite the seat, and a folding seat.

Standards Certification:

The shower compartment listed is manufactured in compliance with ANSI Z124 Standards, and certified through an ongoing, independent quality assurance and testing program.

The factory-applied grab bar and seat package are certified through an independent review program.

48-inch / Private Access / Bars & Seat



SH-4836 / TL-RS
(RH seat / 2-bar package)
Model & Package Illustrated

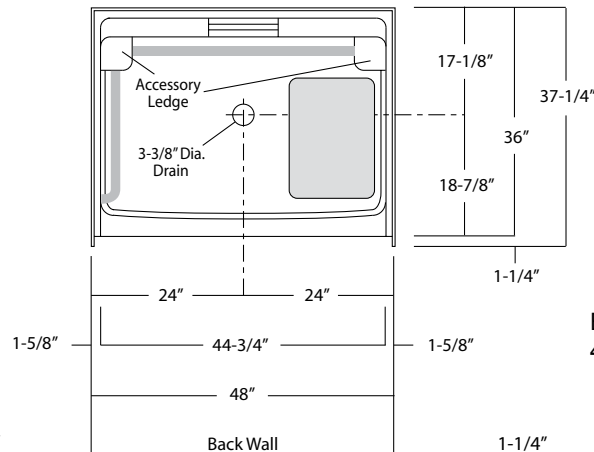
NOTE: Positioning of factory attached grab bars and seat allow for installation of a shower enclosure.



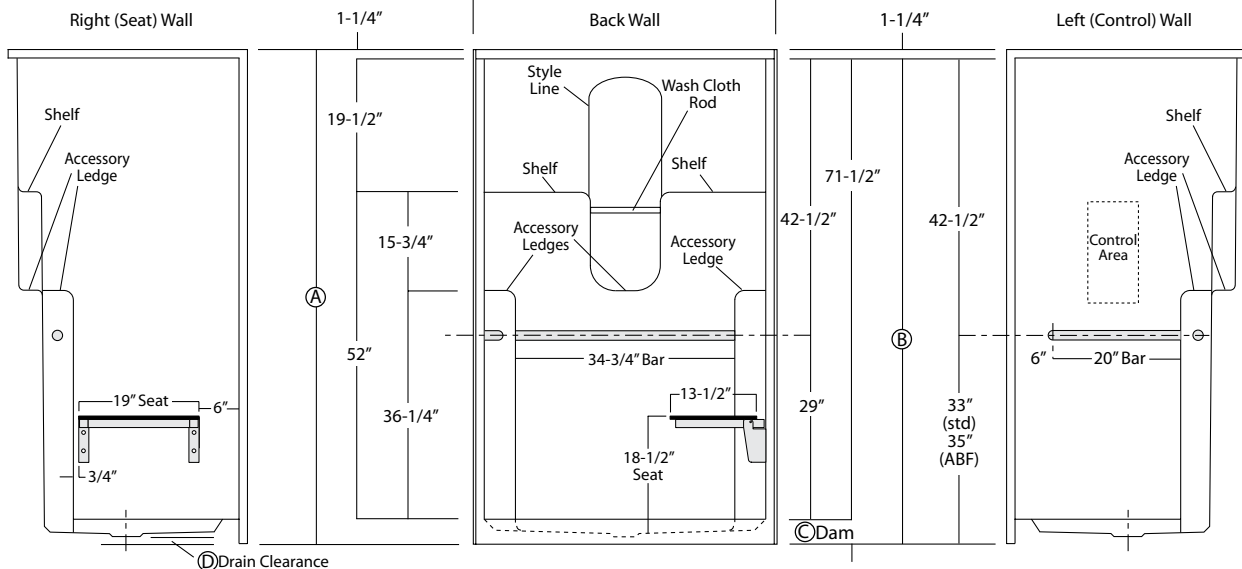
Home Innovation
LAB CERTIFIED™



	Std Unit	ABF Unit
A	76-3/4"	78-3/4"
B	75-1/2"	77-1/2"
C	4"	6"
D	1"	3"
E	-	-
F	-	-



Enclosure Size:
44-3/4" w (max) x 71-1/2" h (max)



Dimensions shown are maximum. Due to the nature of the materials involved, actual unit dimensions can vary (tolerances: +0 / -3/8 inch). Oasis reserves the right to modify or discontinue product and/or associated equipment without prior written or verbal notification or obligation.

Model ID	Package Code	Description (define configuration referencing seat side)
----------	--------------	--

SH-4836 (Std or ABF)	/ TL-RS (right seat)	48" x 36", center drain shower with 4" (std) or 6" (ABF) dam, and ActivLife 1.50" dia. stainless steel 2-bar and seat package (single horizontal back & opposite seat wall bars with folding seat).
SH-4836 (Std or ABF)	/ TL-LS (left seat)	

Powder Coated Bar Packages (1.25-inch dia.)

SH-4836 (Std or ABF)	/ TL-RS WHT (right seat)	48" x 36", center drain shower with 4" (std) or 6" (ABF) dam, and ActivLife 1.25" dia. white powder coated 2-bar and seat package (single horizontal back & opposite seat wall bars with folding seat).
SH-4836 (Std or ABF)	/ TL-LS WHT (left seat)	
SH-4836 (Std or ABF)	/ TL-RS OFW (right seat)	48" x 36", center drain shower with 4" (std) or 6" (ABF) dam, and ActivLife 1.25" dia. off-white powder coated 2-bar and seat package (single horizontal back & opposite seat wall bars with folding seat).
SH-4836 (Std or ABF)	/ TL-LS OFW (left seat)	
SH-4836 (Std or ABF)	/ TL-RS SNK (right seat)	48" x 36", center drain shower with 4" (std) or 6" (ABF) dam, and ActivLife 1.25" dia. nickel finish 2-bar and seat package (single horizontal back & opposite seat wall bars with folding seat).
SH-4836 (Std or ABF)	/ TL-LS SNK (left seat)	

Package Notes:

1. Model available without listed package.
2. Model available with vertical bar on control side wall, see ActivLife "TLV-RS/LS" package code.
3. Model available without seat, see ActivLife "BP1", "BP2", "BP3, and "BP5" package codes.
4. For REINFORCEMENT ONLY for horizontal bars (HUD/FHA-Fair Housing), see ActivLife "FH" package code.
5. For expanded reinforcement package options, (with or without listed package components), see ActivLife "3SM" and "3SF" package codes.

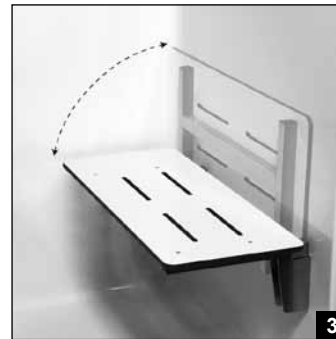
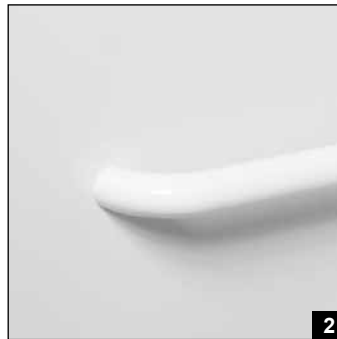
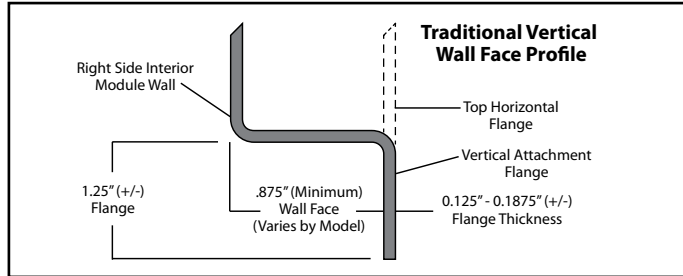


Photo 1: Grab Bars: Factory-installed 1.50-inch diameter, concealed attachment, 18 gauge, #304 brushed stainless steel grab bars. Concealed attachment design provides tamper-resistance and minimizes debris collection areas at contact points, compared to common exposed flange bar designs, without compromising bar attachment integrity. (Reinforced areas include a structural core material encapsulated in FRP composite.)

Photo 2: Grab Bars: Factory-installed 1.25-inch dia. powder coated (in finishes listed above), concealed attachment, 18 gauge, #304 stainless steel grab bars. Concealed attachment design provides tamper-resistance and minimizes debris collection areas at contact points, compared to common exposed flange bar designs, without compromising bar attachment integrity. (Reinforced areas include a structural core material encapsulated in FRP composite.)

Photo 3: Shower Bench Seat: Factory-installed shower bench seat with non-porous, high-pressure laminate upper and lower surfaces, fused to high-density phenolic core. The seat area secures to an 18 gauge, #304 stainless steel framework, and easily pivots upward to store along the wall without supplemental fasteners. Heavy-duty wall (hinge) bracket design eliminates supplemental legs and is formed from 10 gauge, #304 brushed stainless steel. (Reinforced area includes a structural core material encapsulated in FRP composite.)