

Oasis 3-Piece, 60-inch Shower Compartment With Integral Molded Seat and ActivLife 3-Wall Mid-Level Reinforcement Wrap Package



Specification – Oasis 3-piece FRP gelcoat shower compartment, SH3P-6032 RS or LS, having a single contoured seat and offered in a standard 4-inch or 6-inch (ABF) dam configuration. ActivLife package includes factory applied, 3-wall, mid-level wrap reinforcement, exceeding (HUD/FHA) 'Fair Housing' requirements.

Standards Certification:

The shower compartment listed is manufactured in compliance with ANSI Z124 Standards, and certified through an ongoing, independent quality assurance and testing program.

60-inch / Private Access / Reinforced Only



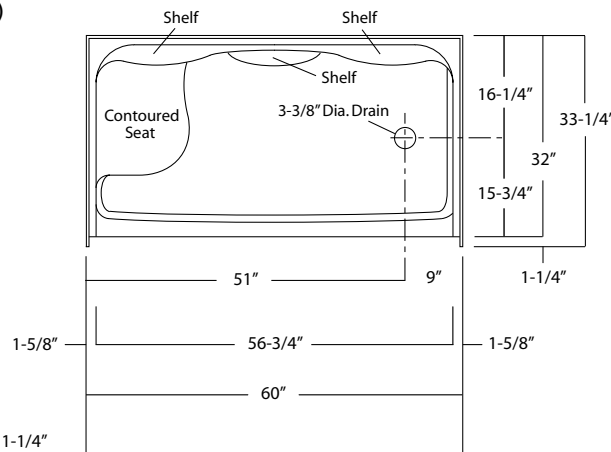
SH3P-6032 LS / 3SM
(LH seat / mid-level reinforcement wrap)
Model & Package Illustrated



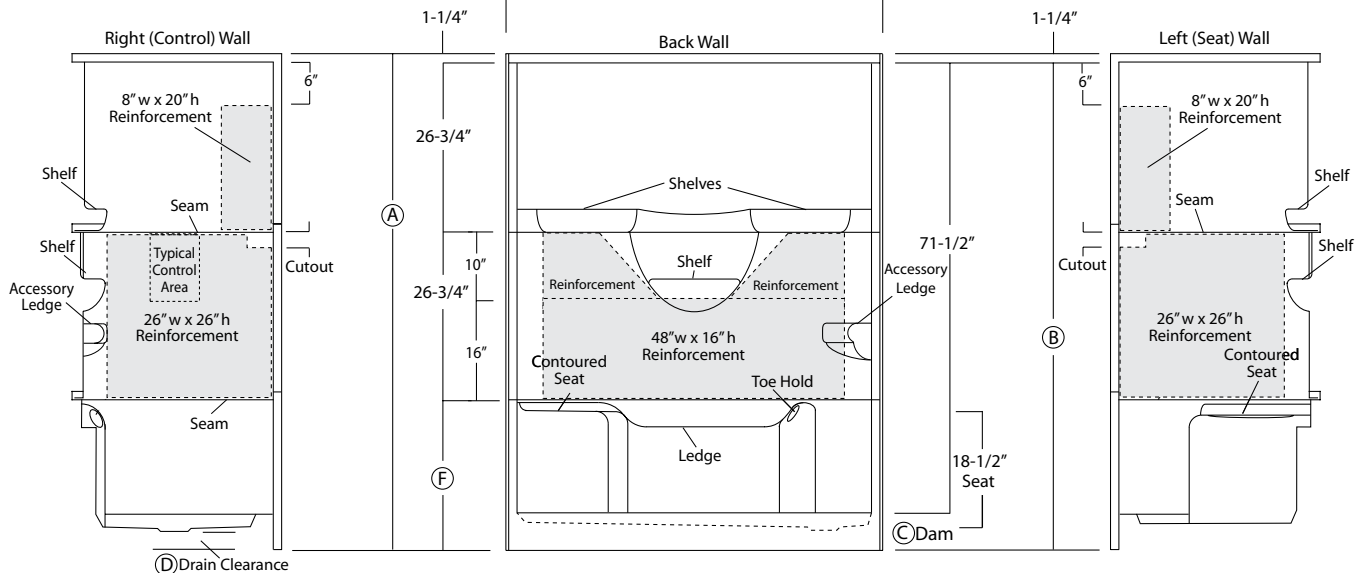
Home Innovation
LAB CERTIFIED™



	Std Unit	ABF Unit
A	76-3/4"	78-3/4"
B	75-1/2"	77-1/2"
C	4"	6"
D	1"	3"
E	-	-
F	22"	24"



Enclosure Size:
56-3/4" w (max) x 71-1/2" h (max)



Dimensions shown are maximum. Due to the nature of the materials involved, actual unit dimensions can vary (tolerances: +0 / -3/8 inch). Oasis reserves the right to modify or discontinue product and/or associated equipment without prior written or verbal notification or obligation.

Model ID	Package Code	Description (define configuration referencing seat side)
----------	--------------	--

SH3P-6032 RS (right seat)(Std or ABF) / 3SM		60" x 32", 3-piece, end drain shower with contoured right or left hand seat, 4" (std) or 6" (ABF) dam, and ActivLife 3-wall mid-level reinforcement wrap package.
SH3P-6032 LS (left seat)(Std or ABF) / 3SM		

Package Notes:

1. Model available without listed package.
2. For REINFORCEMENT ONLY for horizontal bars (HUD/FHA-Fair Housing), see ActivLife "FH" package code.
3. Model available with a full reinforcement wrap (with or without package components), see ActivLife "3SF" package code.
4. Model available with 2-bar or 3-bar packages, see ActivLife "BP1-60" and "BP2-60" package codes.

