

NEO-ANGLE SHOWER BASES



Home Innovation
LAB CERTIFIED™

Oasis



MODELS

SP-N-2 SBNA-4848

Rough-In Dimensions	SP-N-2	37-3/4" deep x 37-3/4" deep x 7-1/4" high
	SBNA-4848	48" deep x 48" deep x 5-1/4" high (std model)

Finished Dimensions	SP-N-2	37-3/4" deep x 37-3/4" deep x 6" high
	SBNA-4848	48" deep x 48" deep x 4" high (std model)

Unit Features

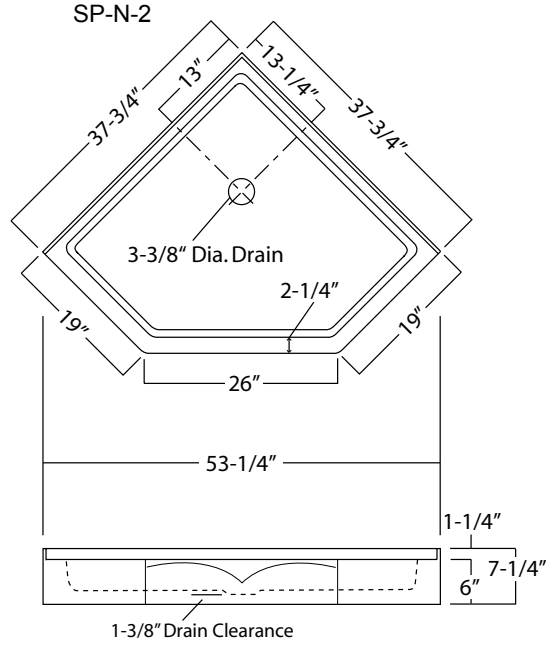
- One-Piece Gelcoat Surface
- 3-3/8" Center Drain (see reverse side for location)
- Integral Tile Flange
- Balsa Wood Core Floor Structure
- Textured Floor Pattern

Special Notes

- ABF Model Provide 3-Inches of Drain Clearance
- Individually Packaged In Cartons

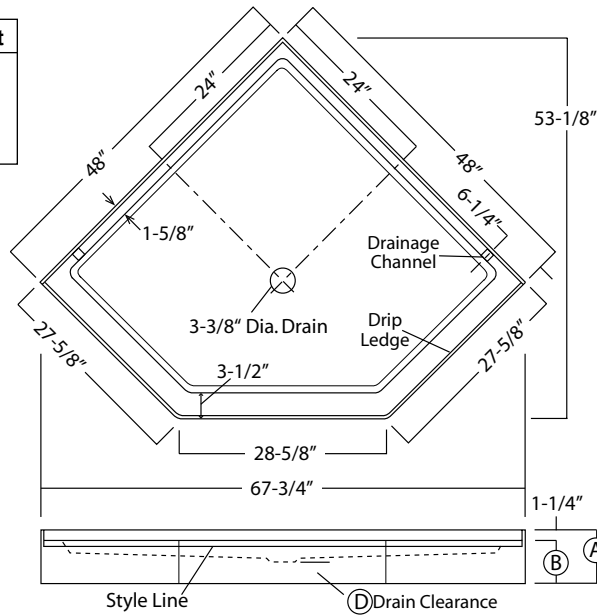
Unit Order Number

Gelcoat: SP-N-2
SBNA-4848
SBNA-4848 ABF



SBNA-4848

	Std Unit	ABF Unit
A	5-1/4"	7-1/4"
B	4"	6"
C	-	-
D	1"	3"



NOTE: Critical enclosure dimensions should be taken directly from the installed shower base with finished wall surround. Dimensions shown above for dam are NOT centerline door dimensions

Photographic images may include optional components and appear different than actual product. Dimensions shown are maximum. Due to the nature of the materials involved, actual unit dimensions can vary (tolerances: +0 / -3/8 inch). Oasis reserves the right to modify or discontinue product and/or associated equipment without prior written or verbal notification or obligation.