

# 54-INCH TO 72-INCH END DRAIN SHOWER BASES

**Oasis**



**Home Innovation**  
LAB CERTIFIED™



## MODELS

- SB-5430R/L** (R or L drain)
- SB-6030R/L** (R or L drain)
- SB-6032R/L** (R or L drain)
- SB-6036R/L** (R or L drain)
- SB-7236R/L** (R or L drain)

Rough-In Dimensions	Model	Dimensions
	SB-5430R/L	54" wide x 30" deep x 5-1/4" high (std model)
	SB-6030R/L	60" wide x 30" deep x 5-1/4" high (std model)
	SB-6032R/L	60" wide x 32" deep x 5-1/4" high (std model)
	SB-6036R/L	60" wide x 36" deep x 5-1/4" high (std model)
	SB-7236R/L	72" wide x 36" deep x 5-1/4" high (std model)

Finished Dimensions	Model	Dimensions
	SB-5430R/L	54" wide x 30" deep x 4" high (std model)
	SB-6030R/L	60" wide x 30" deep x 4" high (std model)
	SB-6032R/L	60" wide x 32" deep x 4" high (std model)
	SB-6036R/L	60" wide x 36" deep x 4" high (std model)
	SB-7236R/L	72" wide x 36" deep x 4" high (std model)

### Unit Features

- One-Piece Gelcoat Surface
- 3-3/8" End Drain (see reverse side for location)
- Integral Tile Flange
- Balsa Wood Core Floor Structure
- Textured Floor Pattern

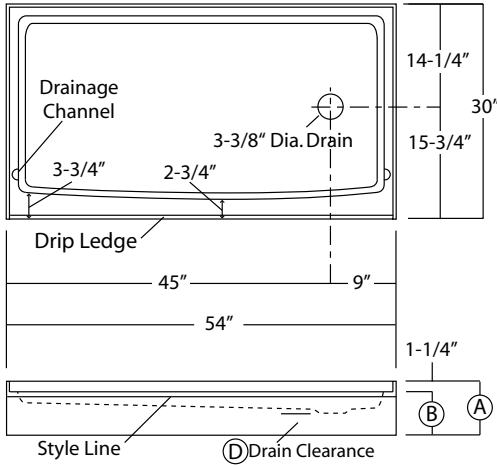
### Special Notes

- ABF Models Provide 3-Inches of Drain Clearance
- Individually Packaged In Carton

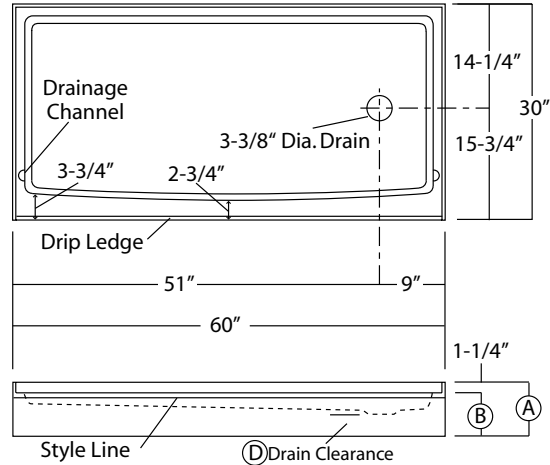
### Unit Order Numbers

Gelcoat:	SB-5430R/L	SB-6032R/L	SB-7236R/L
	SB-5430R/L ABF	SB-6032R/L ABF	SB-7236R/L ABF
	SB-6030R/L	SB-6036R/L	
	SB-6030R/L ABF	SB-6036R/L ABF	

SB-5430R ABF (illustrated)



SB-6030R ABF (illustrated)

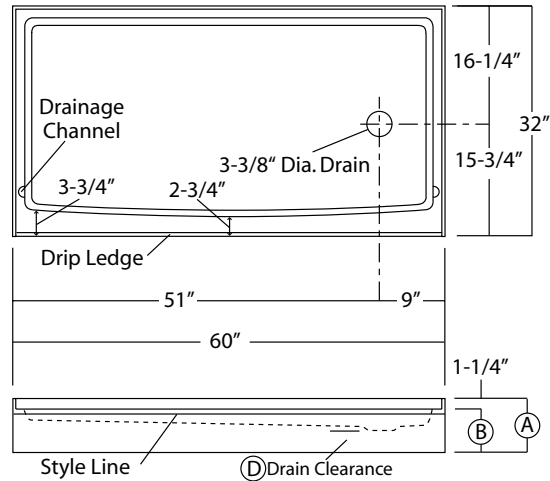


**Dimensional Legend**  
(all listed models)

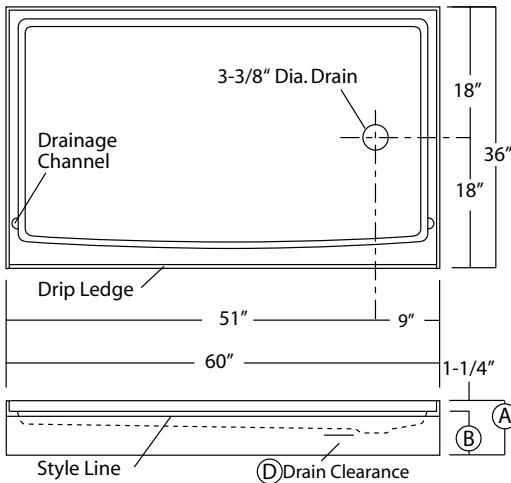
	Std Unit	ABF Unit
A	5-1/4"	7-1/4"
B	4"	6"
C	-	-
D	1"	3"

**NOTE:**  
Critical enclosure dimensions should be taken directly from the installed shower base with finished wall surround.

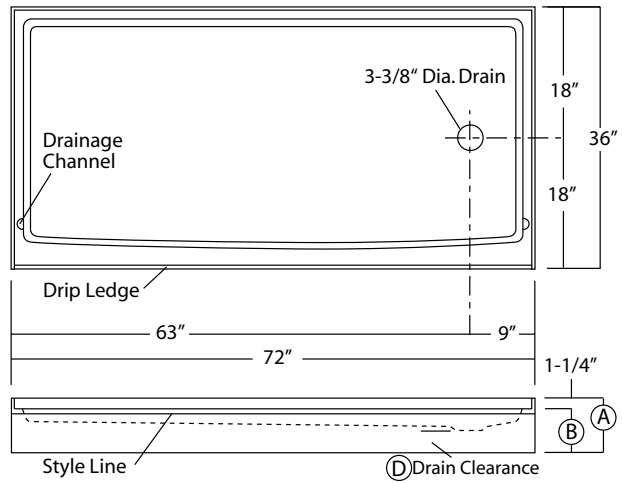
SB-6032R ABF (illustrated)



SB-6036R ABF (illustrated)



SB-7236R ABF (illustrated)



Photographic images may include optional components and appear different than actual product.  
Dimensions shown are maximum. Due to the nature of the materials involved, actual unit dimensions can vary (tolerances: +/-1/8 inch)  
Oasis reserves the right to modify or discontinue product and/or associated equipment without prior written or verbal notification or obligation.