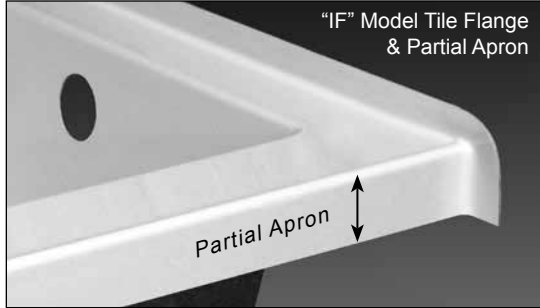


PURITY SERIES BATH

Oasis



Home Innovation
LAB CERTIFIED™



60-INCH WIDE MODELS

MB-S-6032 (Tile Flange, Full Apron)

MB-IF-6032 (Tile Flange, Partial Apron)

| | | |
|---------------------|-------------------------|--|
| Rough-In Dimensions | MB-S-6032 MB-IF-6032 | 60" wide x 33-1/4" deep x 19-1/2" high (std model) |
|---------------------|-------------------------|--|

| | | |
|---------------------|-------------------------|--|
| Finished Dimensions | MB-S-6032 MB-IF-6032 | 60" wide x 32" deep x 18-1/4" high (std model) |
|---------------------|-------------------------|--|

Unit Features

- Sanitary Grade Polyester Gelcoat Surface
- 2" Dia. RH or LH Drain (see reverse side for location)
- 2-1/2" Dia. Overflow (see reverse side for location)
- "S" Model: Integral Tile Flange & Full Apron
- "IF" Model: Integral Tile Flange & Partial Apron
- Extra Deep Bathing Sump
- Pre-Leveled Block Base System
- Balsa Wood Core Floor Structure
- Textured Floor Pattern

Special Notes

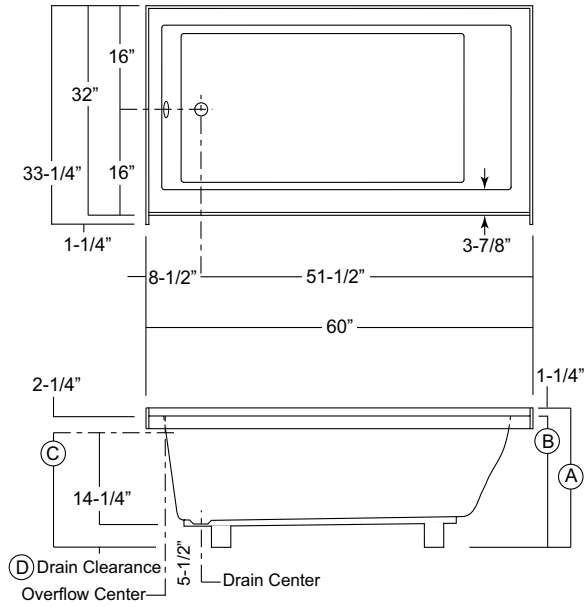
- Optional ABF Model (provides 3-1/2-inches of drain clearance)
- Hydrotherapy Systems Coming Soon

Unit / System Order Number

Gelcoat: MB-S-6032 R/L (soaking tub)
MB-S-6032 R/L ABF (soaking tub)

Unit / System Order Number

Gelcoat: MB-IF-6032 R/L (soaking tub)
MB-IF-6032 R/L ABF (soaking tub)



| | Std Unit | ABF Unit |
|---|----------|----------|
| A | 19-1/2" | 21-1/4" |
| B | 18-1/4" | 20" |
| C | 16" | 17-3/4" |
| D | 1-3/4" | 3-1/2" |
| E | - | - |
| F | - | - |

MB-IF-6032 ABF (illustrated)

Sump Dimen: 44-1/2" long x 22-1/4" wide x 15-1/2" deep (middle)

Sump Capacity: 57 gal. (unoccupied - to overflow)

Whirlpool Operating: NA