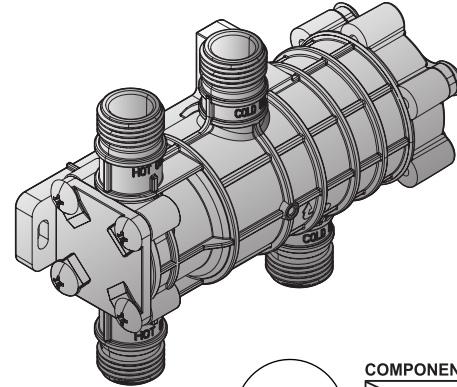
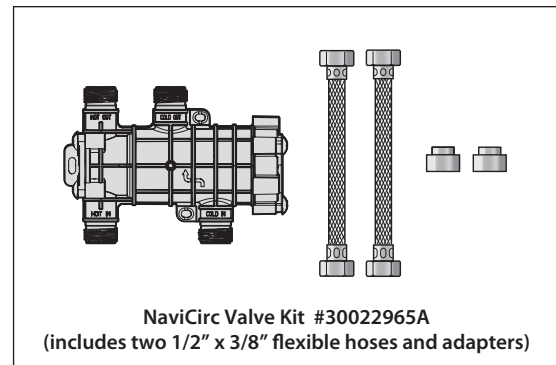


- NaviCirc is a simple plumbing device that uses the existing hot and cold water lines to reduce the wait time for hot water at the faucet without the need for a dedicated recirculation return line
- Designed and optimized for use with Navien **NPE-A** Series water heater models
- Automatically blocks circulation when the hot water temperature within the valve is about **95°F (35°C)**
- Compatible with the Navien HotButton Kit for demand-type recirculation systems

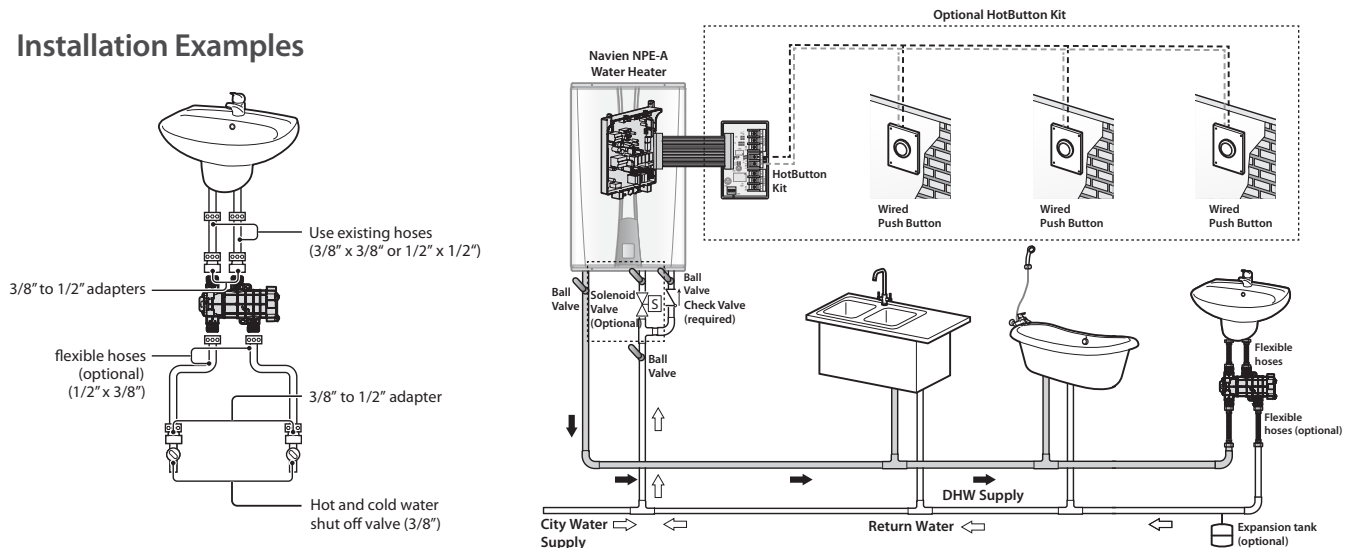


### Specifications

Items	Specifications
<b>Product Name</b>	NaviCirc
<b>Part Number</b>	PFFW-SXX-001 (Valve Only)
<b>Water Flow Rate Range</b>	0.53 - 1.06 GPM (2.0 - 4.0 LPM)
<b>Crossover Shutoff Temperature</b>	95°F (35°C)
<b>Water Temperature Range</b>	41°F to 180°F (5°C to 82°C)
<b>Ambient Temperature Range</b>	32 - 122°F (0 - 50°C) (Indoor use only)
<b>Storage Temperature Range</b>	23 - 122°F (-10 - 50°C)
<b>Maximum Water Pressure</b>	150 psi
<b>Installation Operation</b>	Horizontal Only
<b>Dimensions (in)</b>	5.62 x 3.93 x 2.19
<b>Weight (lb)</b>	1.1 lb (0.5 kg)
<b>Warranty</b>	3 Year

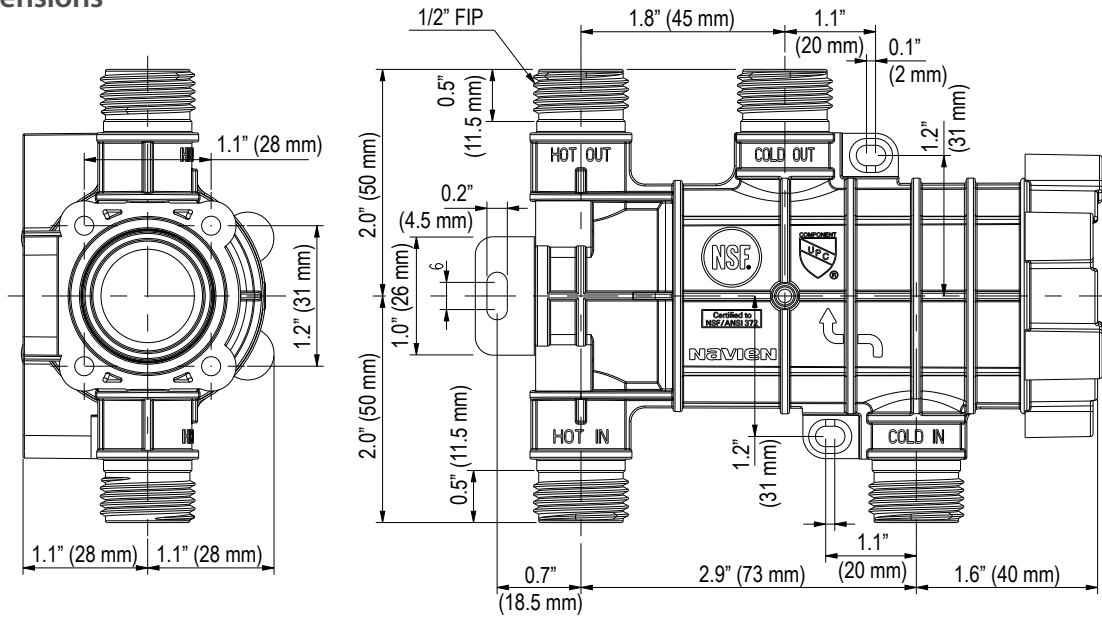


### Installation Examples



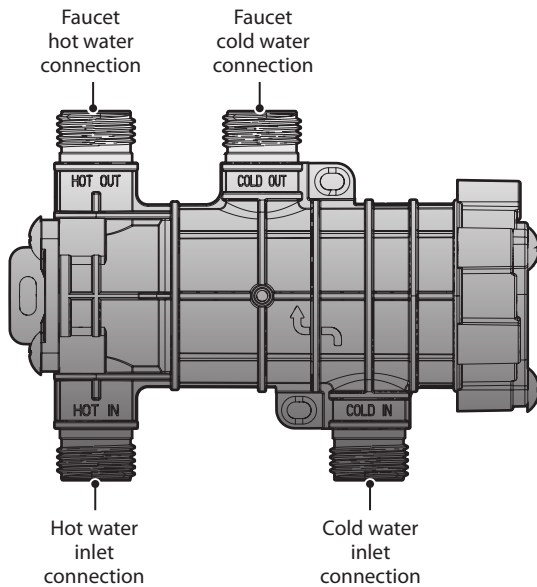
**NOTE:** Install the NaviCirc valve at the faucet furthest from the water heater

**Dimensions**



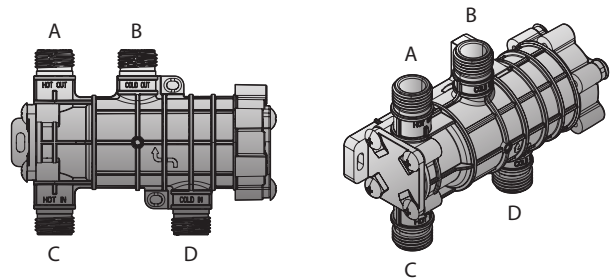
**Component Layout**

Refer to the following diagram for the NaviCirc layout



**Supply Connections**

Refer to the following table for the NaviCirc supply connection specifications.



**Front View**

**Side View**

	List	Connection Size
<b>A</b>	Hot water outlet	PF 1/2"
<b>B</b>	Cold water outlet	PF 1/2"
<b>C</b>	Hot water inlet	PF 1/2"
<b>D</b>	Cold water inlet	PF 1/2"
<b>Dimension (in)</b>		5.62 x 3.93 x 2.19

\* Navien reserves the right to change specifications at any time without prior notice