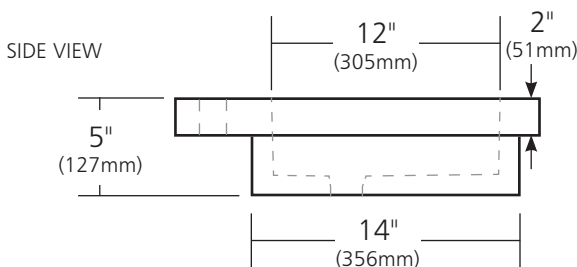
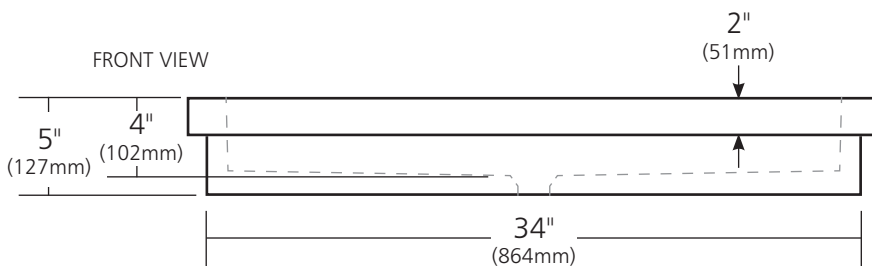
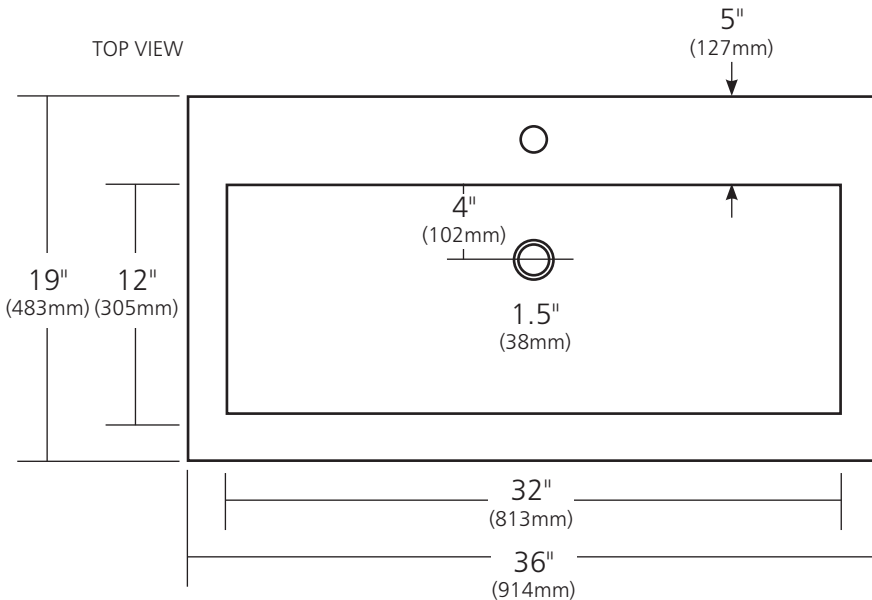


SPECIFICATIONS

**TROUGH 3619**

NativeStone™ Collection



NSL3619-A Ash  
 NSL3619-S Slate  
 NSL3619-P Pearl

**PRODUCT DETAILS**

- 36" x 19" x 5" OD (914mm x 483mm x 127mm)
- 32" x 12" x 4" ID (813mm x 305mm x 102mm)
- 1.5" (38mm) drain opening
- Handcrafted from sustainable NativeStone™
- Sealed with impermeable nano sealer

**INSTALLATION**

- Drop-in or undermount

**COORDINATING PRODUCTS**

- Drains: DR120, DR150 or DR160

**STANDARDS COMPLIANCE**

- UPC/cUPC compliant

**IMPORTANT**

Due to the handcrafted nature of this product, it will vary in finish, texture, and other details. Dimensions may vary up to 1/2" (13mm). We strongly recommend waiting for the actual product before making any installation cuts.