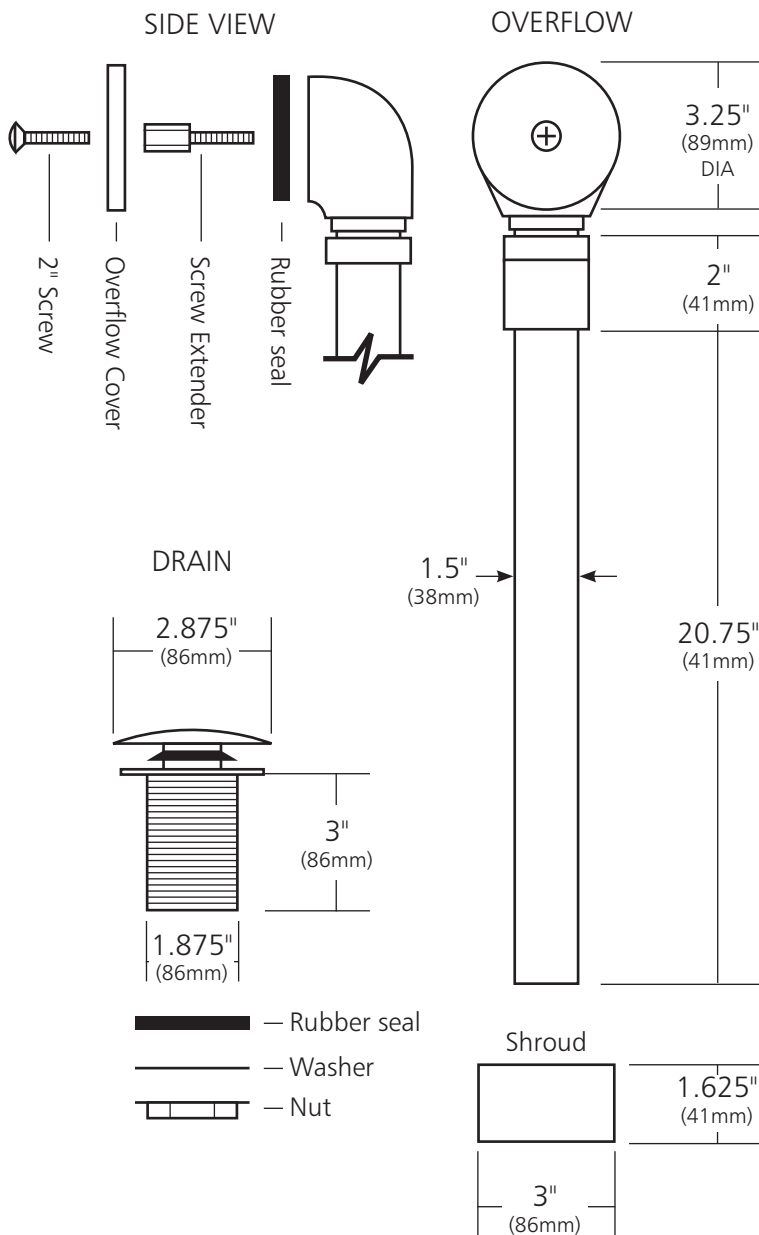


*SPECIFICATIONS*

**PUSH TO SEAL BATH  
WASTE & OVERFLOW**

Bathtub



DR290-BN Brushed Nickel  
 DR290-ORB Oil Rubbed Bronze  
 DR290-PN Polished Nickel

**PRODUCT DETAILS**

- For use with sub-floor tub waste connection
- Drain & Overflow perfect for thick walled tubs (*up to 3.5" thick*)
- Pivoting head ensures snug fit
- Push to seal drain
- Fully plated

**COORDINATING PRODUCTS**

- Avalon 72 and Avalon 62