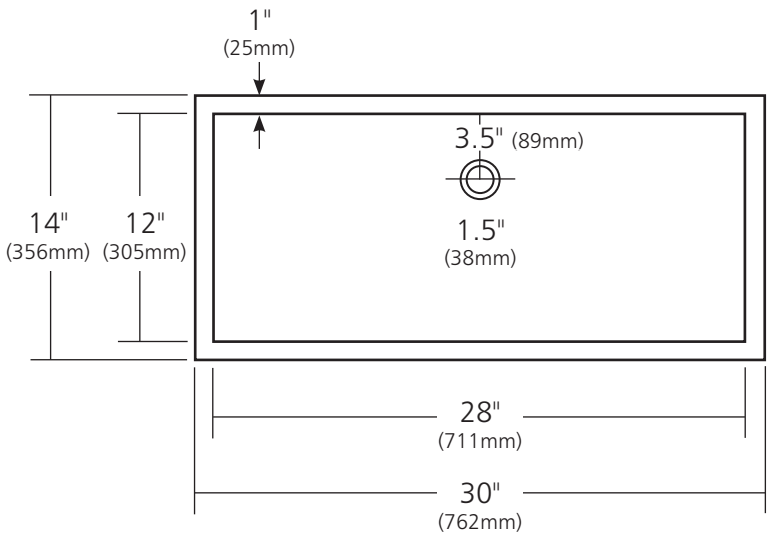


SPECIFICATIONS

TROUGH 30



CPS200 Antique  
CPS500 Brushed Nickel

**PRODUCT DETAILS**

- 30" x 14" x 6" OD (762mm x 356mm x 152mm)
- 28" x 12" x 5.5" ID (711mm x 305mm x 140mm)
- Hand hammered 16 gauge recycled copper
- 1.5" (38mm) drain opening

*This product may be customized – see [nativetrails.net/customization](http://nativetrails.net/customization) for details.*

**INSTALLATION**

- Universal Mount (Drop-in or Undermount)

**COORDINATING PRODUCTS**

- Drains: DR120, DR130, DR150 or DR160

**STANDARDS COMPLIANCE**

- UPC/cUPC compliant

**IMPORTANT**

Due to the handcrafted nature of this product, it will vary in finish, texture, hammering, and other details. Dimensions may vary up to 1/2" (13mm). We strongly recommend waiting for the actual product before making any installation cuts.

