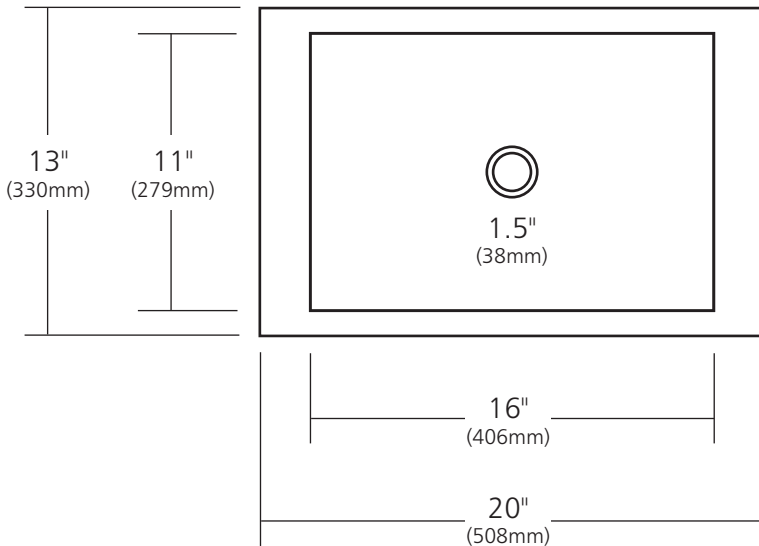


SPECIFICATIONS

HANA



CPS242- Antique
CPS542- Brushed Nickel

PRODUCT DETAILS

- 20" x 13" x 5" OD (508mm x 330mm x 127mm)
- 16" x 11" x 4.5" ID (406mm x 279mm x 114mm)
- Hand hammered 16 gauge recycled copper
- 1.5" (38mm) drain opening
- Dimensions are not exact and may vary $\pm 1/2"$ (13mm)

*This product may be customized.
See nativetrails.net/customization for details.*

INSTALLATION

- Drop-in

COORDINATING PRODUCTS

- Drains: DR120, DR150 or DR160

STANDARDS COMPLIANCE

- UPC/cUPC compliant

IMPORTANT

Due to the handcrafted nature of this product, it will vary in finish, texture, hammering, and other details. Dimensions may vary up to 1/2" (13mm). We strongly recommend waiting for the actual product before making any installation cuts.