



350 DURAWALL® Fiberglass Bathtub Wall



The 350 DURAWALL® fiberglass bathtub wall from E.L. Mustee & Sons, Inc. brings together simplicity in design, outstanding features and the highest quality in molded fiberglass bathtub walls. The 350 DURAWALL® can make a statement of elegance and quality in any bathtub alcove.

Features:

- Produced from high-grade, reinforced, molded fiberglass for optimum strength using matched metal molds.
- Ideal for new or remodel projects...fits all Topaz™ Fiberglass Bathtubs, as well as standard 30" x 60" bathtubs of other manufacturers.
- Includes a large, molded-in, self-draining shelf ideal for shampoo, soap, etc.
- Three (3) panel wall system with seamless corner panels and overlapping edges, create a watertight wall surround.
- Panels can be trimmed to simplify installation in out-of-plumb alcoves or for installing DURATRIM® window kits.
- Adhesive and caulking provided
- Adhesive mounts to drywall or like surfaces
- Available in white, bone or biscuit.
- Smooth, colorfast semi-gloss finish, resists scuffs.
- Mold and mildew-resistant...easy to clean

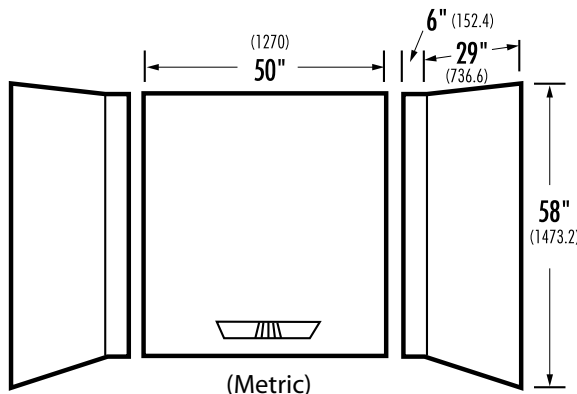
Code Accepted:

DURAWALL® bathtub walls meet or exceed performance requirements as listed:

- American Society of Testing and Materials (ASTM) – D635, E-84 and E-162
- American National Standards Institute (ANSI) - Specification ANSI Z 124.1.2
- Inhalation Toxicity Test – to evaluate inhalation health hazard with combustible products.
- CAN/ULC S102-07 Burn and Smoke Test
- DURAWALL® bathtub walls allow for the placement of grab bars per ADA specifications.



Specifications



All models fit a 30" x 60" alcove

| Model | Color | Fits Alcove |
|--------|---------|-------------|
| 350WHT | White | 30" x 60" |
| 350BN | Bone | 30" x 60" |
| 350BT | Biscuit | 30" x 60" |

General: Furnish and install as shown on plans DURAWALL® Bathtub Walls, model _____ (350WHT, 350BN, 350BT), as manufactured by E.L. Mustee & Sons, Inc. The wall system shall be three-piece construction with molded-in shelf and double face tape applied to edges of underside for a better seal. Panels shall include 20% fiberglass reinforced composite material and be manufactured with matched metal molds using extreme heat and pressure with a uniform thickness of 70 mils. Shall be semi-gloss, scuff-resistant surface. Unit shall meet or exceed applicable tests, per ANSI Specification Z 124.1.2 Color ____ (White, Bone or Biscuit). Shall include adhesive, caulk and instructions. Weight 62 lbs.

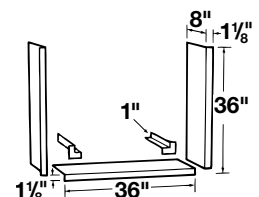
300.600W/300.600BW DURATRIM™ Fiberglass Window Trim Kit



For existing windows, Mustee's fiberglass window trim kits will create a beautiful finish.

General: Furnish and install as shown on plans, DURATRIM® Window Trim Kit model 300.600, as manufactured by E.L. Mustee & Sons, Inc. Made of fiberglass, consists of three 36" x 8" panels and two 8" x 1" corner molding pieces. Adhesive provided. Shall meet ANSI Specification Z 124.1.2. Color: ____ (White, Bone).

| Model | Color |
|-----------|-------|
| 300.600W | White |
| 300.600WB | Bone |





500 DURAWALL® Fiberglass Bathtub Wall



The 500 DURAWALL® fiberglass bathtub wall from E.L. Mustee & Sons, Inc. brings together simplicity in design, outstanding features and the highest quality in molded fiberglass bathtub walls. The 500 DURAWALL® call make a statement of elegance and quality in any bathtub alcove

Features:

- Produced from high-grade, reinforced, molded fiberglass for optimum strength using matched metal molds.
- Ideal for new or remodel projects...fits all Topaz™ Fiberglass Bathtubs, as well as standard 30" x 60" bathtubs of other manufacturers.
- Includes three large, molded-in, self-draining shelf ideal for shampoo, soap, etc.
- Five (5) panel wall system with seamless corner panels and overlapping edges, create a watertight wall surround.
- Panels can be trimmed to simplify installation in out-of-plumb alcoves or for installing DURATRIM® window kits.
- Adhesive mounts to drywall or like surfaces
- Available in white or bone.
- Smooth, colorfast semi-gloss finish, resists scuffs.
- Mold and mildew-resistant...easy to clean

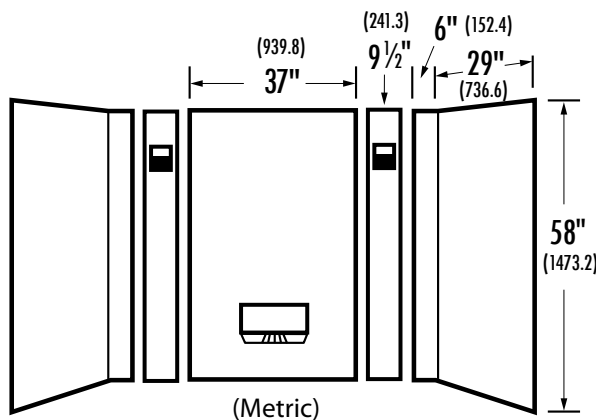
Code Accepted:

DURAWALL® bathtub walls meet or exceed performance requirements as listed:

- American Society of Testing and Materials (ASTM) – D635, E-84 and E-162
- American National Standards Institute (ANSI) - Specification ANSI Z 124.1.2
- Inhalation Toxicity Test – to evaluate inhalation health hazard with combustible products.
- CAN/ULC S102-07 Burn and Smoke Test



Specifications



| Model | Color | Fits Alcove |
|--------|-------|-------------|
| 500WHT | White | 30" x 60" |
| 500BN | Bone | 30" x 60" |

General: Furnish and install as shown on plans DURAWALL® Bathtub Walls, model _____ (500WHT, 500BN), as manufactured by E.L. Mustee & Sons, Inc. The wall system shall be five-piece construction with three molded-in shelves and double face tape applied to underside edges of panels for a better seal. Panels shall include 20% fiberglass reinforced composite material and be manufactured with matched metal molds using extreme heat and pressure with a uniform thickness of 70 mils. Shall be semi-gloss, scuff-resistant surface. Unit shall meet or exceed applicable test, per ANSI Specification Z 124.1.2 Color _____ (White, Bone).

Requires three to five 11 oz. cartridges of panel adhesive labeled for bonding to bathtub or shower walls. Do not use adhesive containing tar, asphalt, lacquer thinner or toluene.

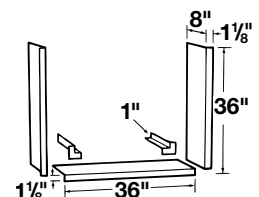
300.600W/300.600BW DURATRIM™ Fiberglass Window Trim Kit



For existing windows, Mustee's fiberglass window trim kits will create a beautiful finish.

General: Furnish and install as shown on plans, DURATRIM® Window Trim Kit model 300.600, as manufactured by E.L. Mustee & Sons, Inc. Made of fiberglass, consists of three 36" x 8" panels and two 8" x 1" corner molding pieces. Adhesive provided. Shall meet ANSI Specification Z 124.1.2. Color: ____ (White, Bone).

| Model | Color |
|------------|-------|
| 300.600W | White |
| 300.600WBN | Bone |



To reorder, specify ADV-440