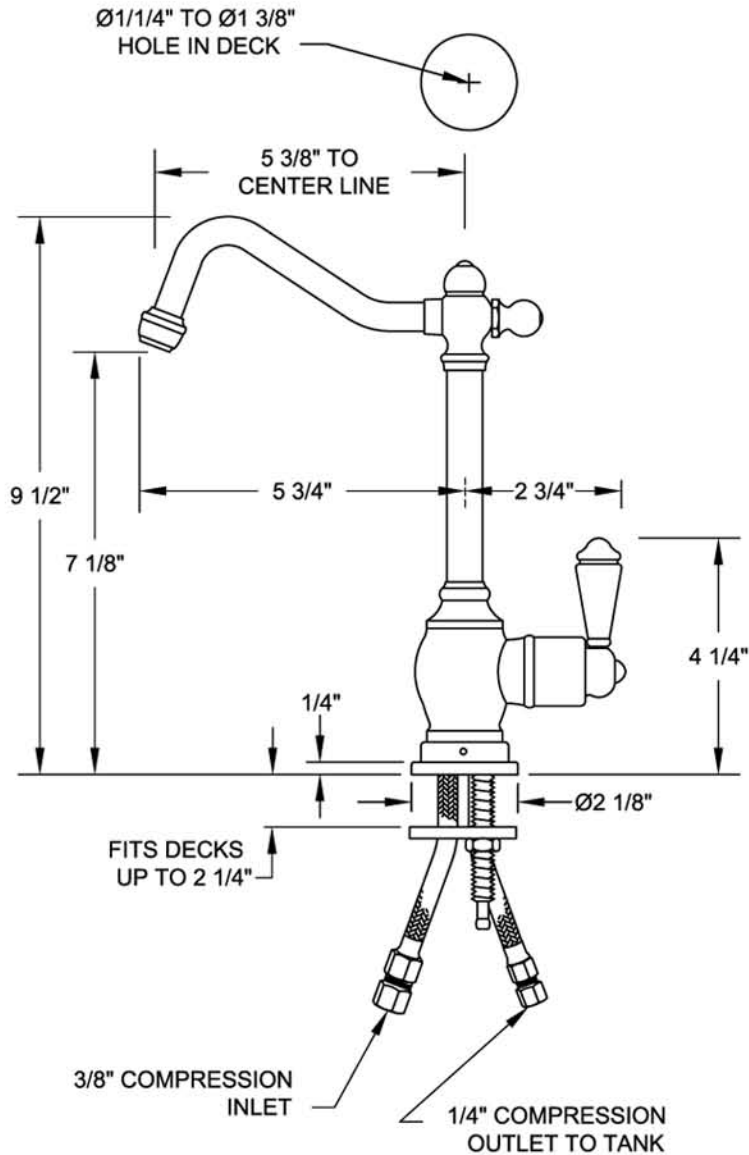


# MT1100-NL SPECIFICATIONS

THE LITTLE GOURMET NO LEAD\*  
INSTANT HOT WATER FAUCET



**THIS FAUCET OFFERS THE FOLLOWING FEATURES:**

- LEAD FREE BRASS
- SELF CLOSING HANDLE
- QUALITY CONSTRUCTION FOR TROUBLE FREE SERVICE
- CAN BE USED WITH MT660 OR MT662 MOUNTAIN PURE® CERAMIC WATER FILTERS
- REQUIRES MT641 HOT WATER TANK SOLD SEPARATELY
- NOT RECOMMENDED FOR RO FILTERS

**THIS FAUCET IS AVAILABLE IN THE FOLLOWING FINISHES:**

- ULB - Unlaquered Brass
- CPB - Polished Chrome
- SC - Satin Chrome
- PN - Polished Nickel
- BRN - Brushed Nickel
- PEW - Pewter
- AB - Antique Brass
- TB - Tuscan Brass
- PVD - Polished Brass
- WCP - Weathered Copper
- ACP - Antique Copper
- EB - English Bronze
- MHB - Mahogany Bronze
- ORB - Oil Rubbed Bronze
- VB - Venetian Bronze
- PVDBB - PVD Brushed Bronze

\* 0.25% LEAD MAX PER CA AB1953

## WARRANTY

ONE YEAR WARRANTY ON PLATED FINISHES, 90 DAY WARRANTY ON ORB, EB, MHB, TB AND WCP AND LIFETIME ON PVD PROVIDED PROPER CARE HAS BEEN USED. ONE YEAR WARRANTY ON ALL PARTS. APPLIES TO ORIGINAL PURCHASER. CLAIMS REQUIRE PROOF OF PURCHASE.

## FINISH CARE & MAINTENANCE

NEVER USE ANY HARSH ALKALI, ACID BASED DETERGENTS OR CLEANERS SUCH AS SOFT SCRUB®, SCRUBBING BUBBLES® OR COMET® TO CLEAN. DO NOT USE BRILLO® AND SCOTCH BRITE® PADS. THESE WILL ALL HARM THE FINISH.

TO CLEAN, USE ONLY A DAMP SOFT CLOTH AND WIPE USING A SOFT CLOTH. STANDARD WINDEX CAN ALSO BE USED SPARINGLY. IT IS NOT NECESSARY TO WIPE HARD TO REMOVE SPOTS.

TO MAINTAIN THE FINISH, WIPE WITH A SOFT DRY CLOTH AFTER USE. AN OCCASIONAL COAT OF PURE CARNUBA WAX WITHOUT CLEANERS WILL HELP PROTECT THE FINISH.