



Buy it for looks. Buy it for life.®

FAUCET DESCRIPTION

- Metal construction with various finishes identified by suffix

OPERATION

- Lever style handle with temperature indicator on the escutcheon, pull-on/push-off operation
- Temperature operates through an 180° arc of handle travel (full cold to full hot)
- Adjustable temperature limit stop to control maximum hot water temperature
- Pressure balancing mechanism maintains selected discharge temperature to ± 2°


FLOW

- Showerhead limited to 2.5 gpm (9.5 L/min)
- NH Suffix models contain no showerhead

CARTRIDGE

- 1225® cartridge design
- Nonmetallic/nonferrous and stainless steel materials
- Accommodates back to back installations

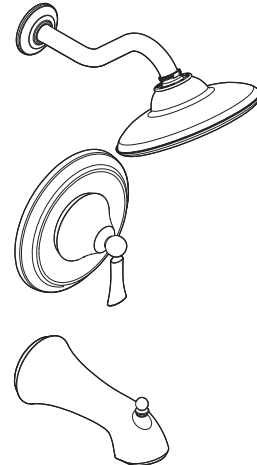
STANDARDS

- Third party certified to ASME A112.18.1/CSA B-125-1, and all applicable requirements referenced therein
- ADA  for lever handle

WARRANTY

- Lifetime limited warranty against leaks, drips and finish defects to the original consumer purchaser
- 5 year warranty if used in commercial installations

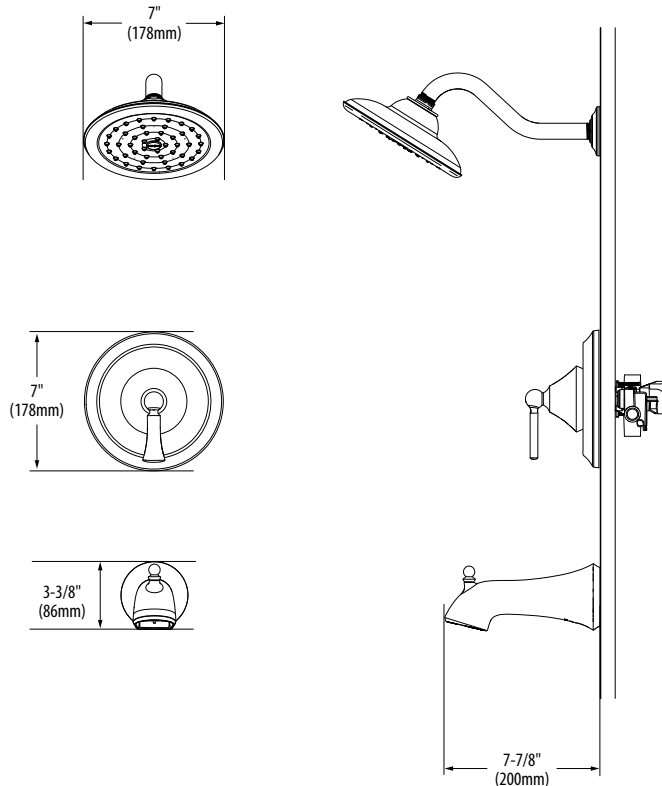
Specifications



**WYNFORD™ MOENTROL®
Single-Handle Tub/Shower Trim Only**

Models: T5501 series - valve only trim
T5502 series - shower only trim
T5503 series - tub/shower trim

Valves: 3510, 3520, 3570 Series



CRITICAL DIMENSIONS

(DO NOT SCALE)

